



LINE

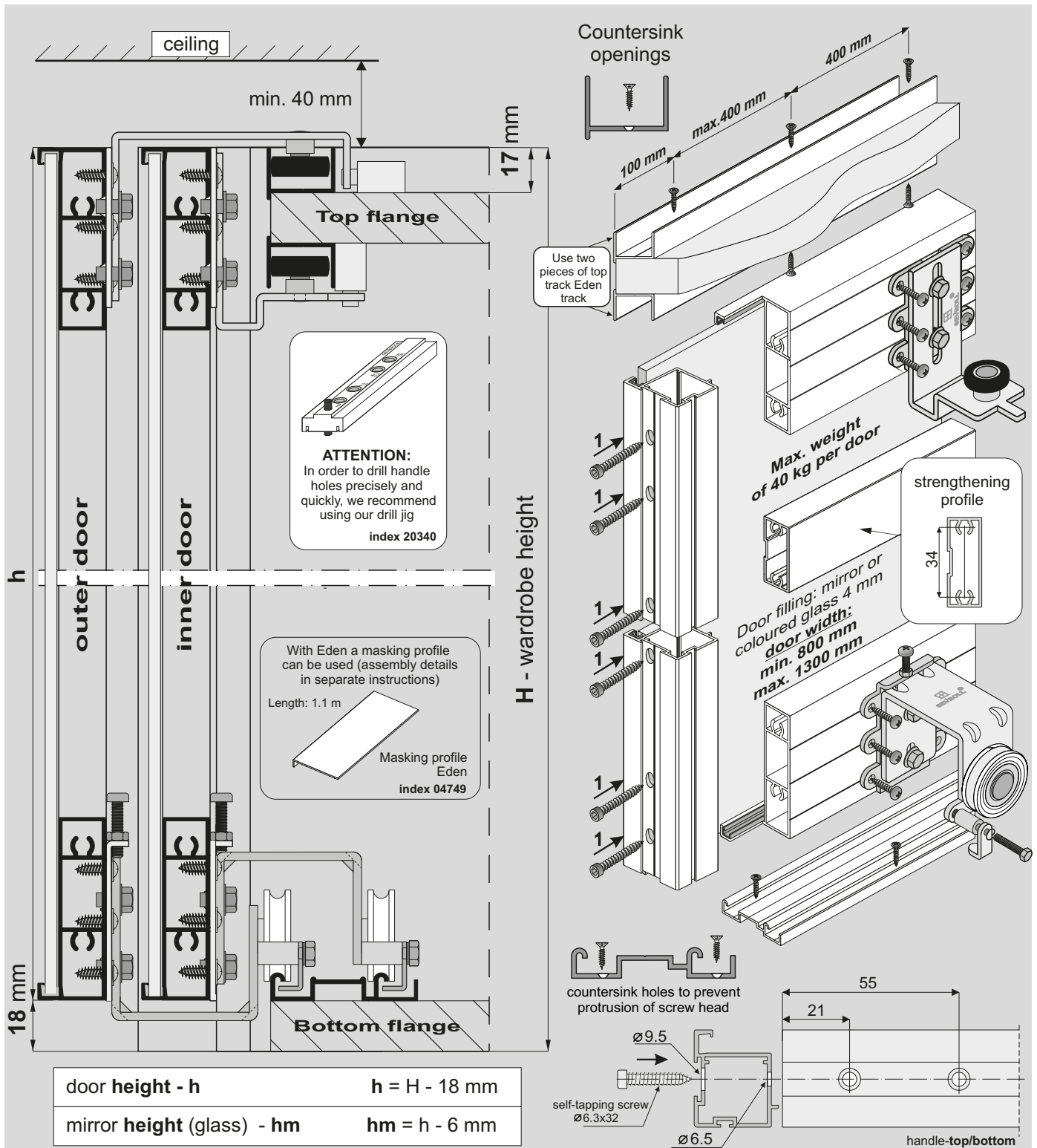
Pax XL

SYSTEM

EDEN 4 – 3 door wings



SEVROLL®



## COMPONENTS

<b>Handle Pax XL</b> Anti-dust brush (inserted) 4.8 x 6 mm Textile door stop (inserted) 14 x 4 mm Length: 2.7 m, 3.0 m	<b>Gasket for frame Type II</b>  (index - 20167)	<b>Horizontal profile Eden XL</b>  Length: 1.7 m, 2.35 m, 3.0 m, 6.0 m	<b>Set for sliding door Eden - 2 door wings</b>  x4  x 4 x2  x 48 x2  x 4 x2  x 48  x 4	<b>Set for third door Eden - 1 inner door</b>  x2  x 2  x 24  x 2	<b>Soft-close</b> SV25 MINI (index: 20359-SV) x4 or SV40 MINI (index: 20260-SV) Central Sv25 (20360-BL) or Central Sv40 (20297-BL) x1
<b>Bottom track Gemini</b>  Length: 1.7 m, 2.35 m, 3.0 m, 4.05 m, 6.0 m	<b>Top track Eden</b>  Length: 1.7 m, 2.35 m, 3.0 m, 6.0 m	<b>Strengthening profile</b>  Length: 3.00 m			



LINE

Pax XL

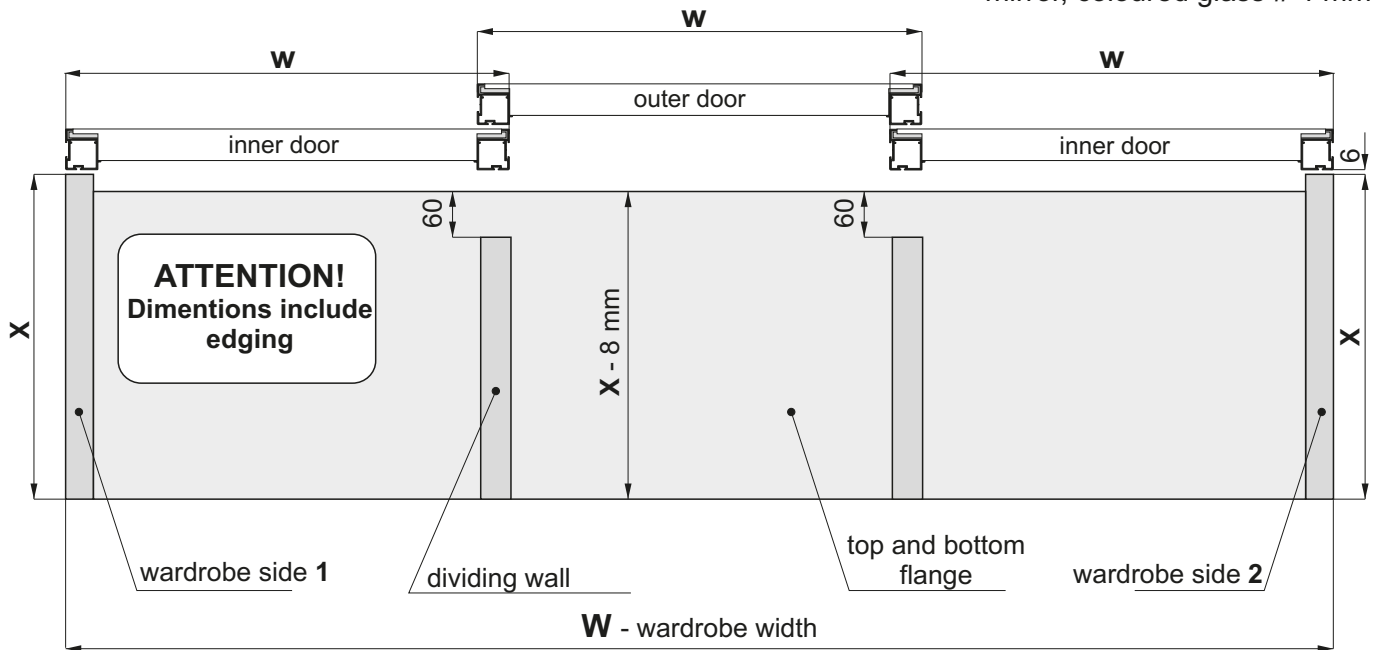
SYSTEM

EDEN 4 – 3 door wings



SEVROLL®

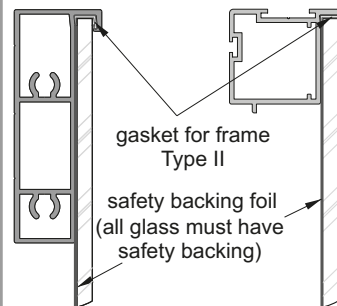
door filling:  
- mirror, coloured glass # 4 mm



### Installation method for fitting mirror or coloured glass 4 mm

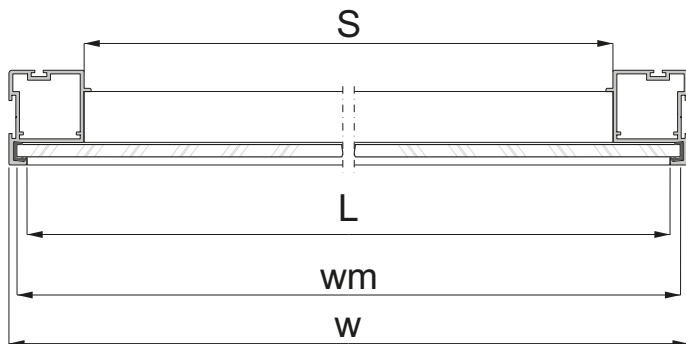
- with  
horizontal  
profile

- with  
handle



gasket for frame  
Type II  
safety backing foil  
(all glass must have  
safety backing)

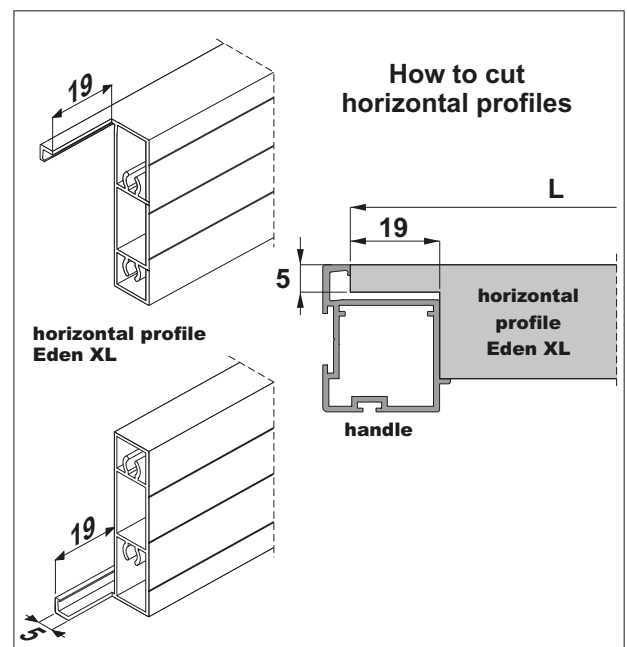
**ATTENTION!**  
Due to the fact that no  
plinth is needed in  
system Eden, attention  
must be paid to the  
bottom flange being  
positioned level to the  
floor. Additionally, when  
using furniture slides,  
they should be placed  
along the whole length  
so that the bottom  
flange and bottom track  
does not bend.



Door width	$w = (W + 50 \text{ mm}) : 3$
Mirror width (glass)	$w_m = w - 6 \text{ mm}$
Horizontal profile length Eden XL	$L = w - 12 \text{ mm}$
Strengthening profile length	$S = w - 50 \text{ mm}$

### ATTENTION!

Rear mirror / coloured glass surface must be  
secured with safety backing foil  
(excluding glass surface glued with mirror adhesive).  
The edges of glass must be polished.





LINE

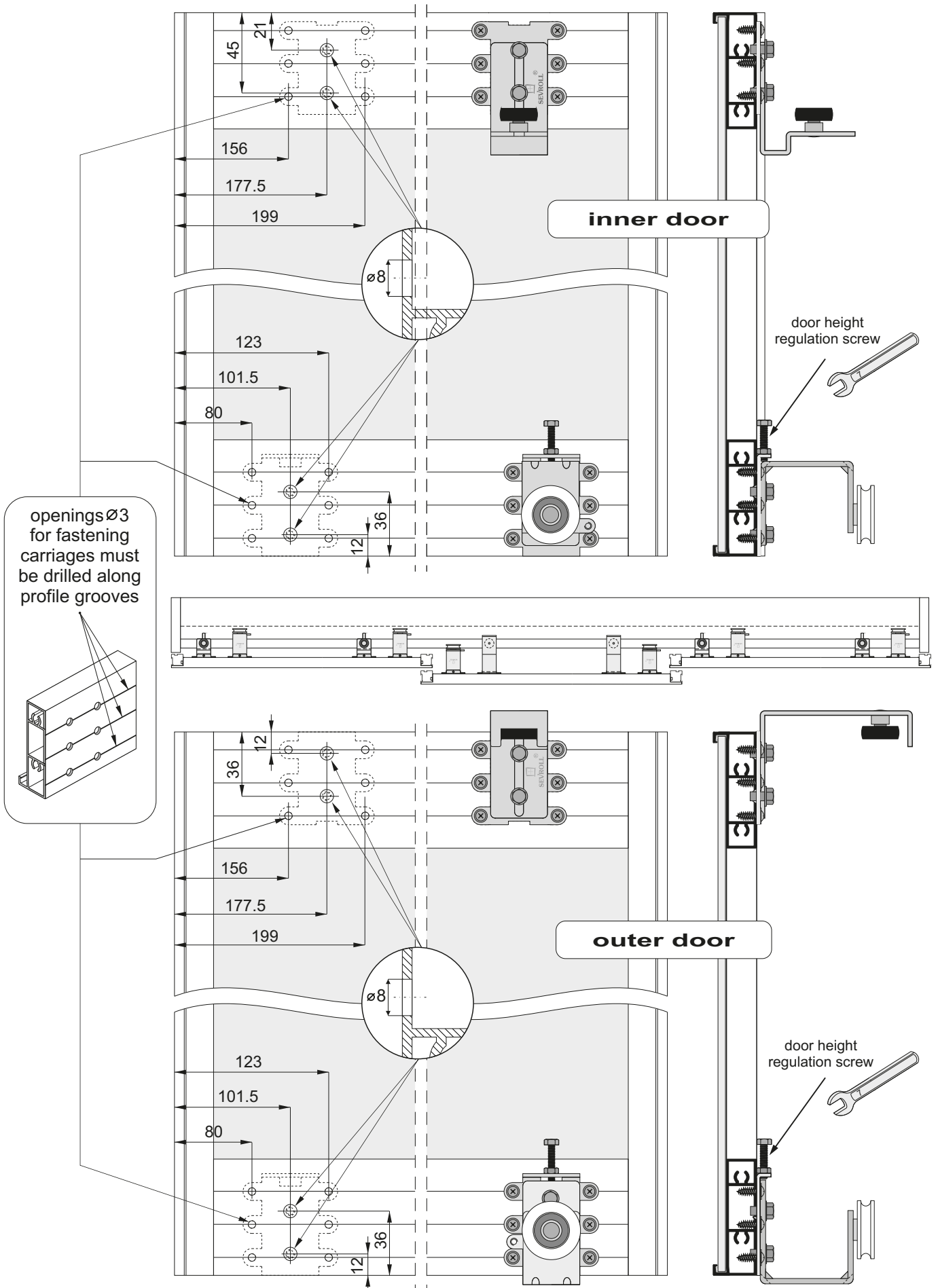
Pax XL

SYSTEM

EDEN 4 – 3 door wings



SEVROLL®





LINE

Pax XL

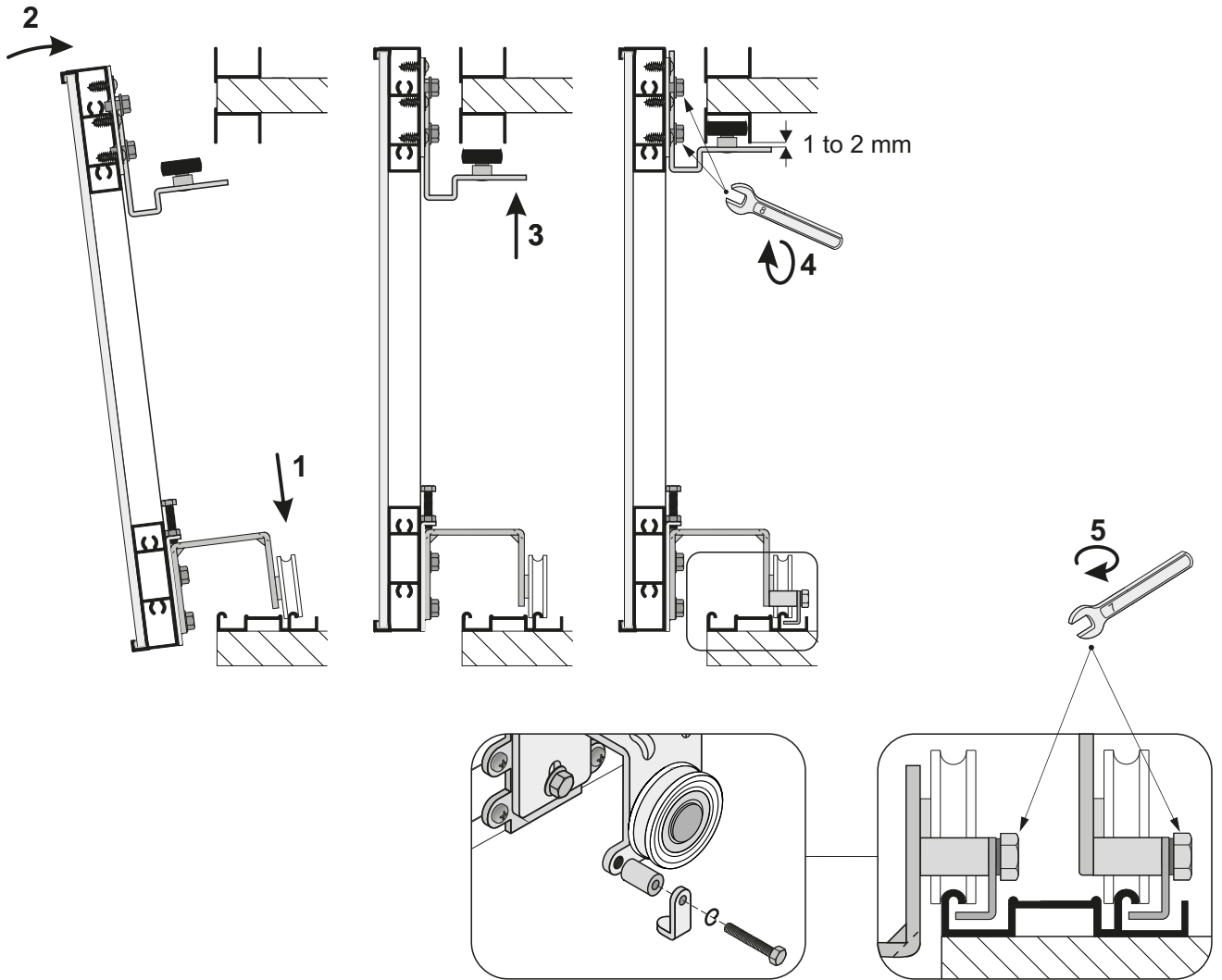
SYSTEM

EDEN 4 – 3 door wings



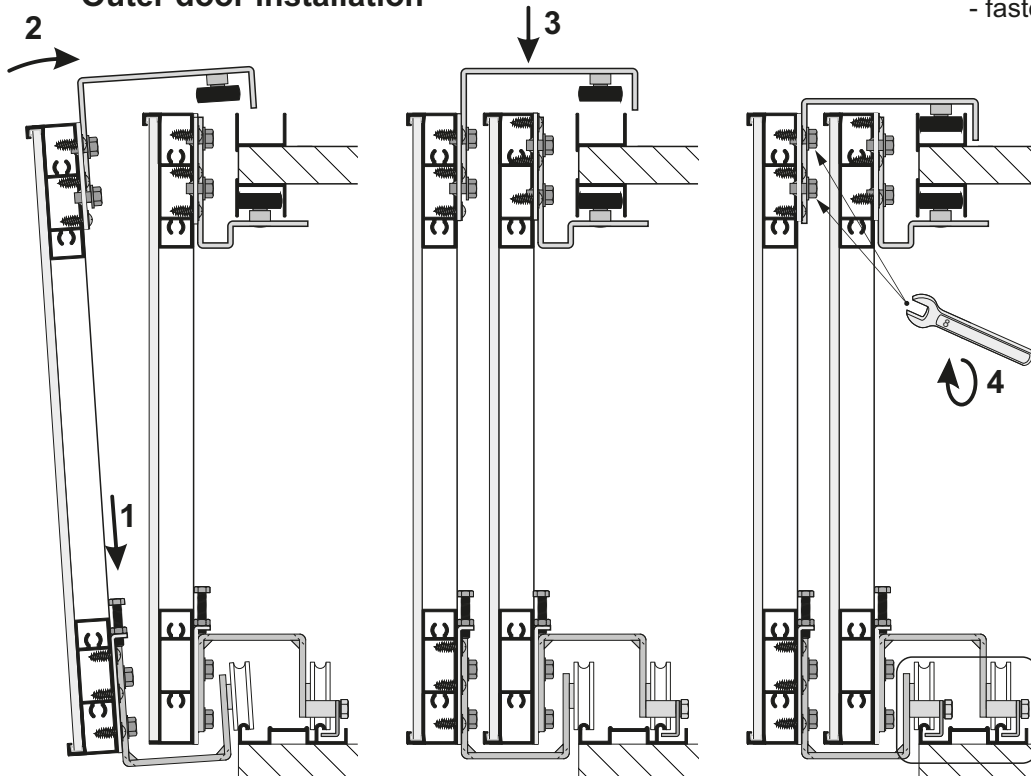
SEVROLL®

### Inner door installation



securing catch  
- fasten after door assembly

### Outer door installation





LINE

Pax XL

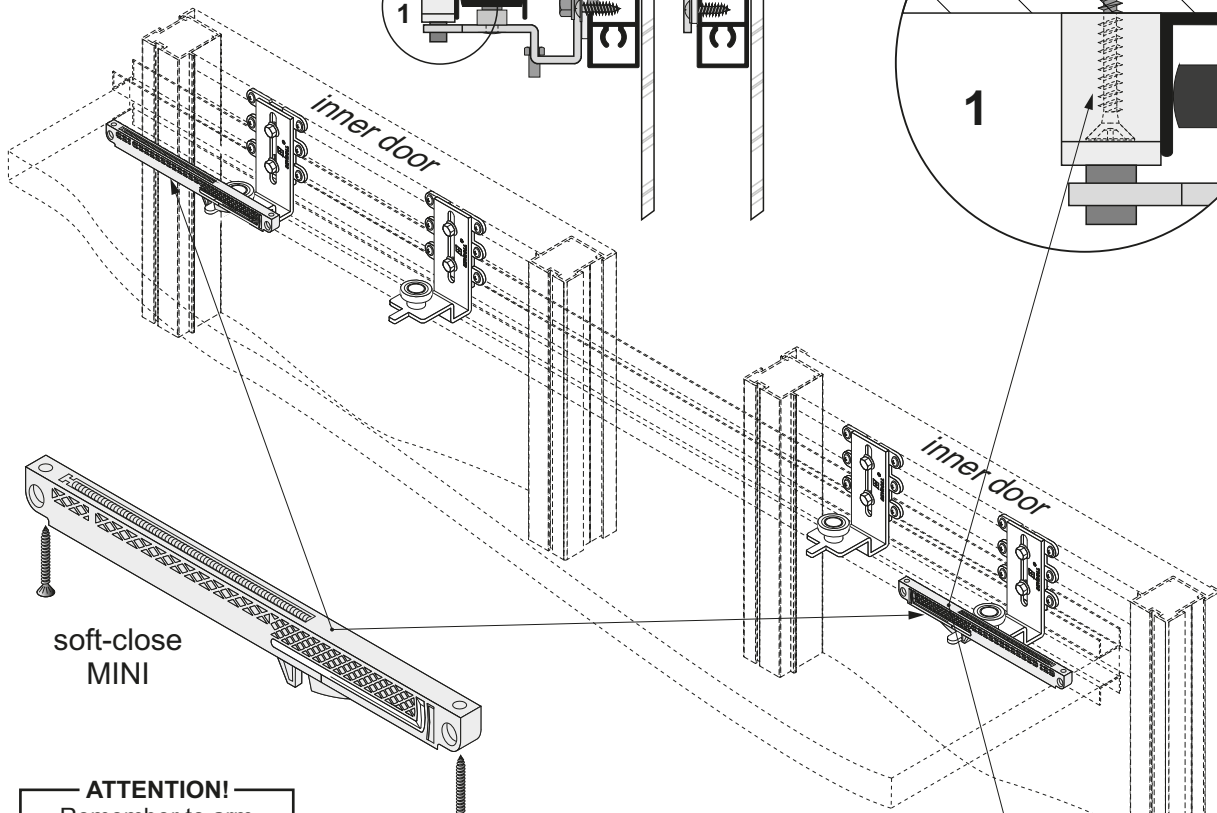
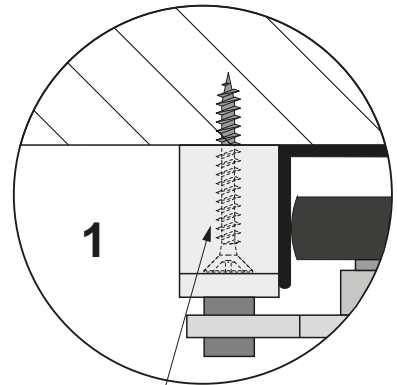
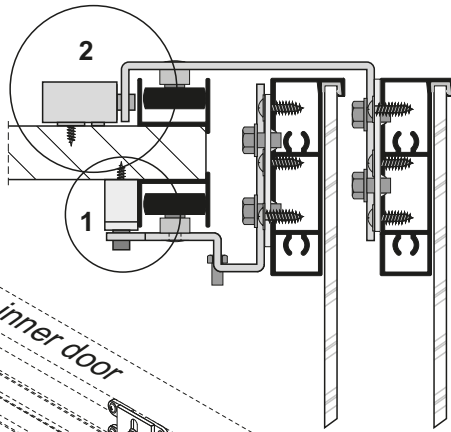
SYSTEM

EDEN 4 – 3 door wings



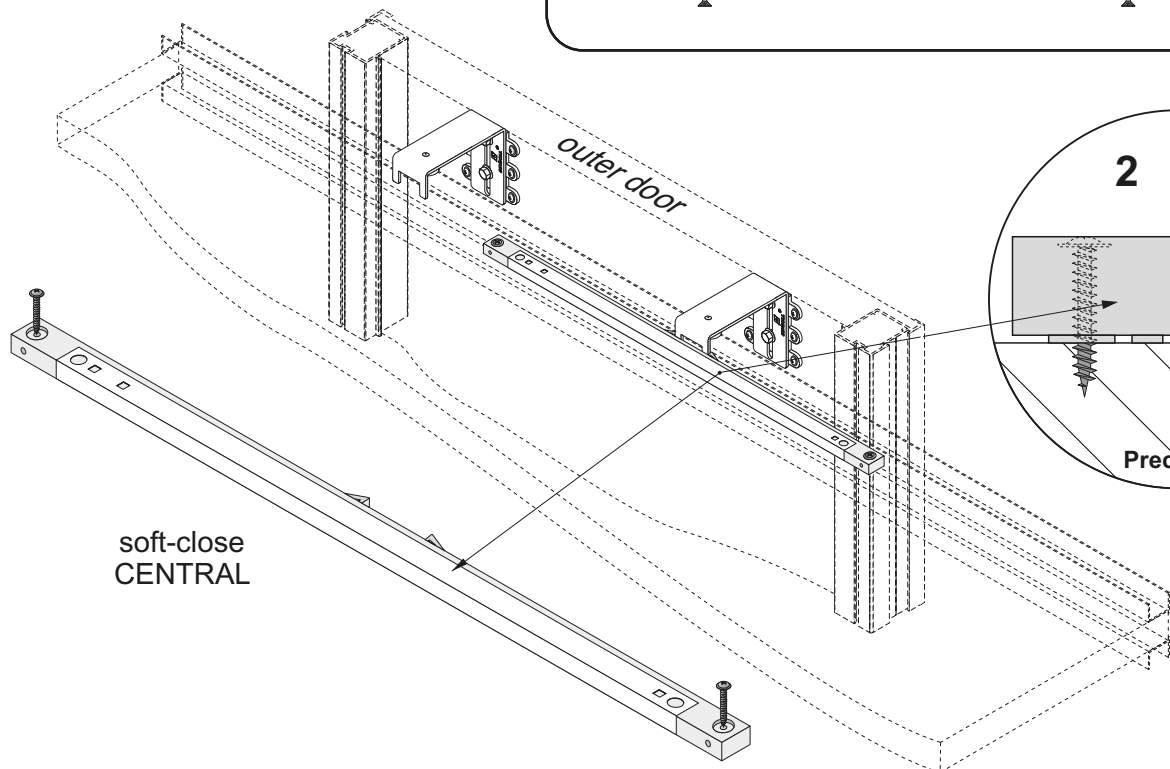
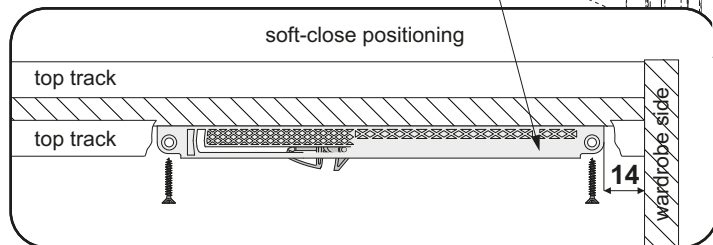
SEVROLL®

### Soft-close installation



soft-close  
MINI

**ATTENTION!**  
Remember to arm  
the soft-closer prior  
to door installation



soft-close  
CENTRAL

