

COMPONENTS

Top track Herakles

L: 1.50 m, 2.00 m, 3.00 m, 4.00 m, 6.00 m

32
33

Pathway door set ZPH-GLASS (Herakles Glass) 100 kg

x2 Carriage Herakles 120 kg

x2 Stopper/bumper Herakles

Flat spanner 6/13

Flat spanner 10/13

x2 Clamp for glass Herakles

Allen key 3/4/5

Universal guide

x2 Gaskets 10 mm 8 mm

Activator for soft-close Herakles Glass

Wall bracket Herakles

42
52
50

OPTIONS

Masking fascia Herakles

L: 1.50 m, 2.00 m, 3.00 m, 4.00 m, 6.00 m

14
89

Anti-dust brush (inserted) 4.8 x 13

Mounting plate Herakles for wooden fascia

14
89
80

Screw 3.5x10

Self-adhesive

TYPE-C

35
110

TYPE-O

44
110

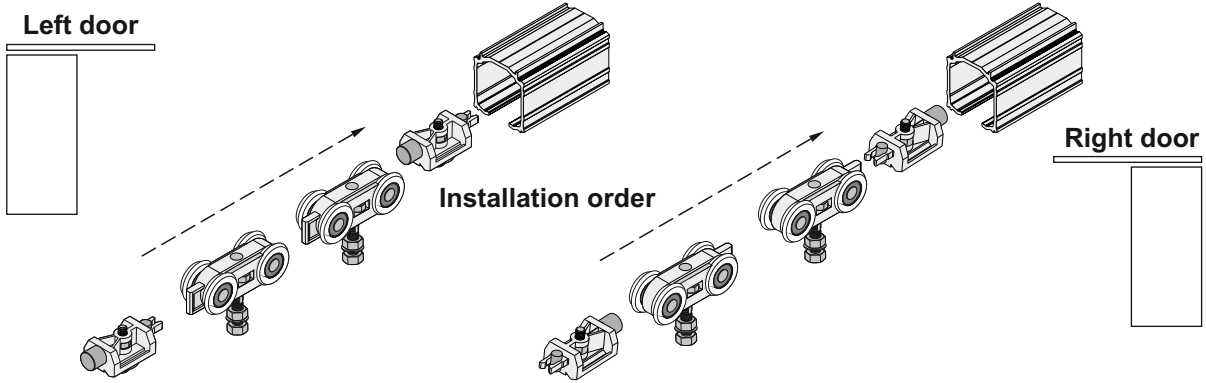
Soft-close Herakles

x1

x1 x2

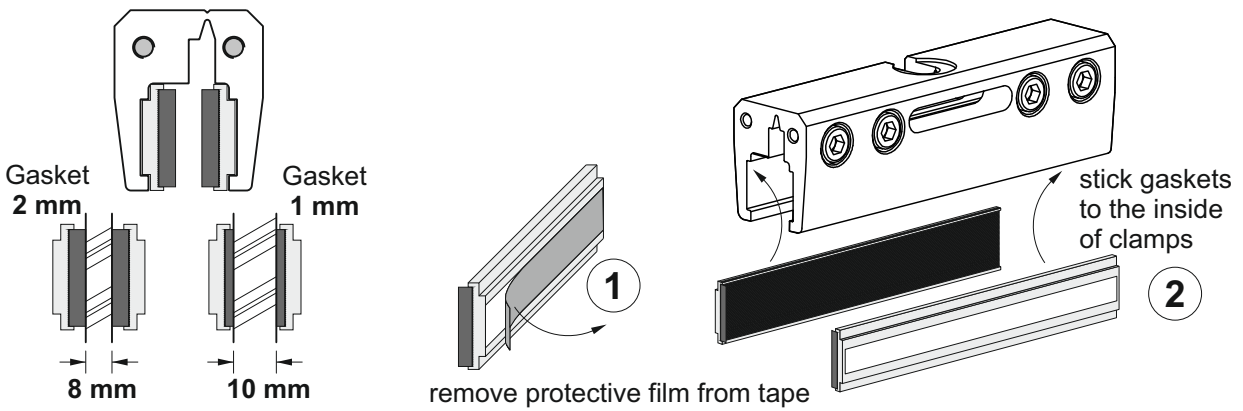
40 kg - index 20392
80 kg - index 20393

Activator for soft-close Herakles Glass (set)



**Mounting gasket spacers
in clamp Herakles Glass**

Depending on the thickness of glass (8 or 10 mm)
use gaskets 2 mm or 1 mm

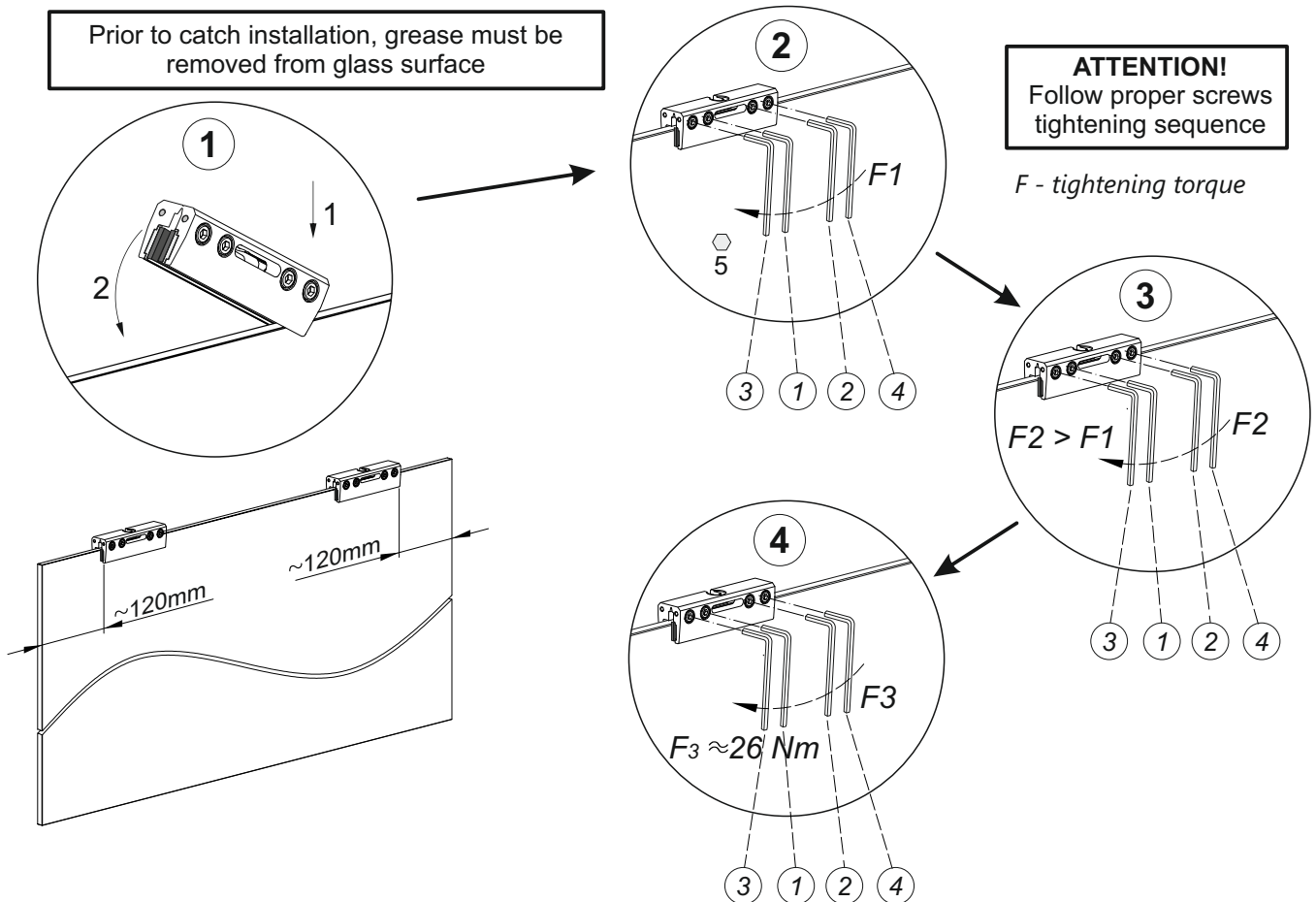


Assembly of Herakles Glass clamps on glass

Prior to catch installation, grease must be removed from glass surface

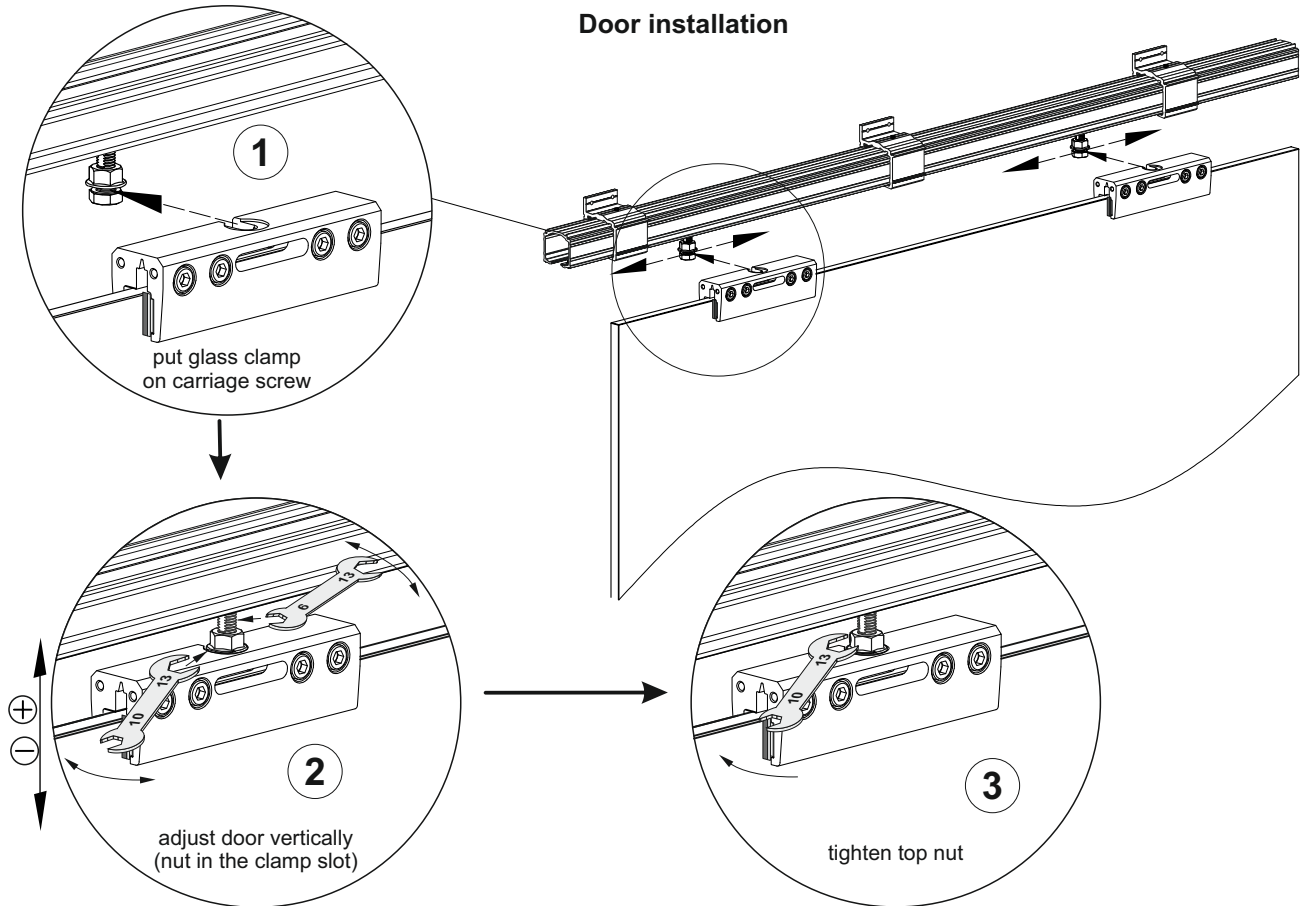
ATTENTION!
Follow proper screws
tightening sequence

F - tightening torque

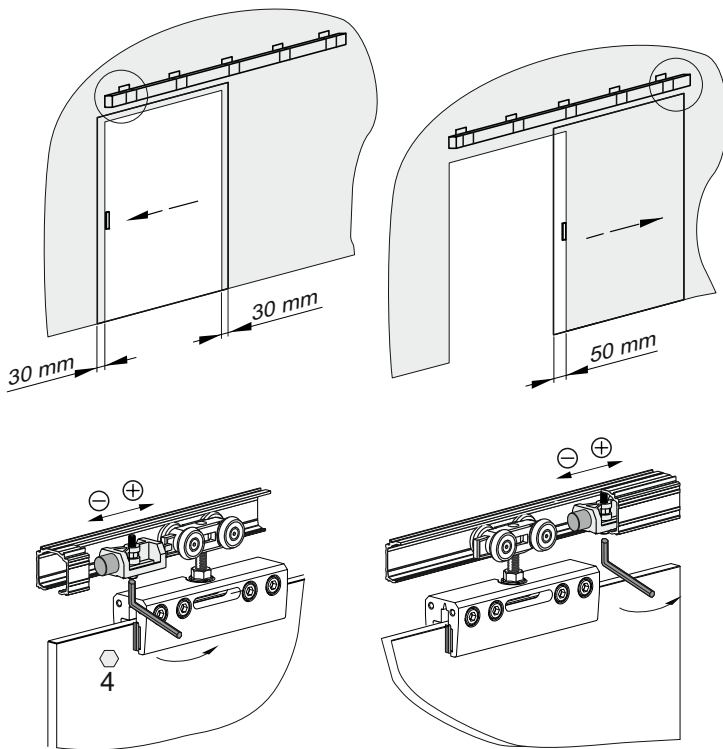




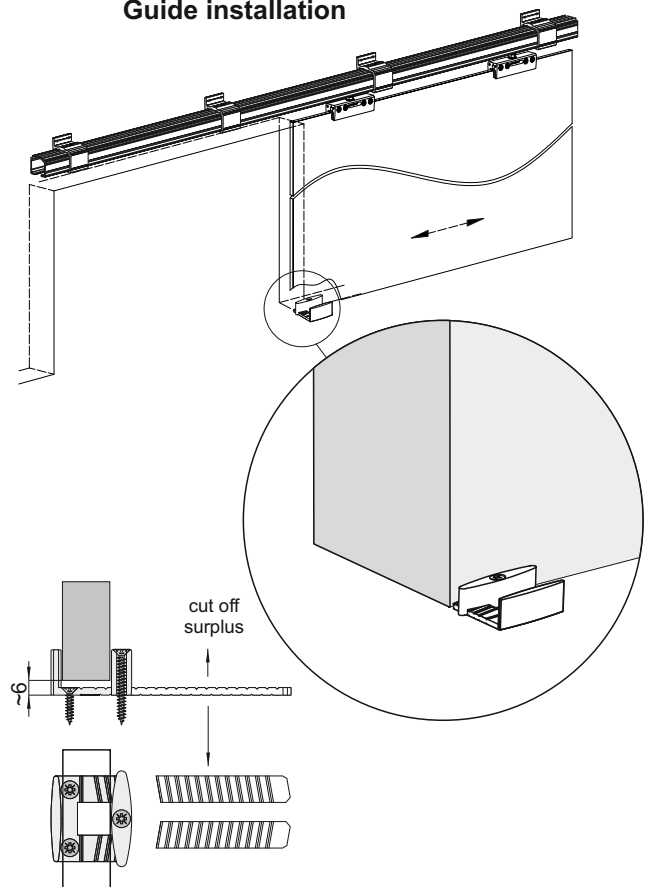
Door installation



Horizontal door adjustment

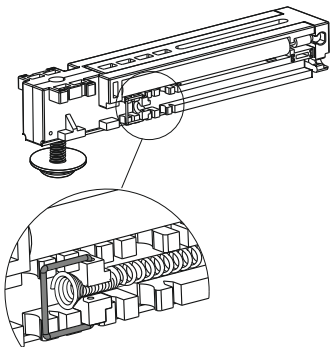


Guide installation

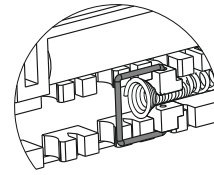
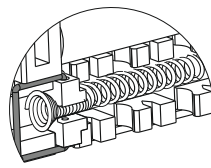




Soft-close Herakles 40 kg or 80 kg



Regulation of the Herakles soft-closer



ATTENTION!

If the door soft-closes too slowly,
increase the tension
of the soft-close spring

ATTENTION!

If the door soft-closes too quickly,
decrease the tension
of the soft-close spring

