

COMPONENTS

Handle	
L: 2.70 m 3.00 m	L: 2.70 m
PORTO	PROSPER II

Top track Exclusive
L: 1.20 m 1.80 m 3.00 m 3.60 m
44 mm

Pathway door set ZPE-18	
	8x
	8x

Spherical stopper

Rubber bump stopper OGUE



LINE

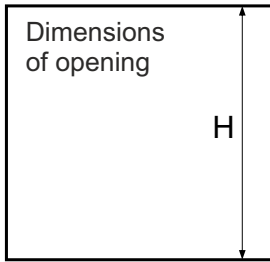
PORTO, PROSPER

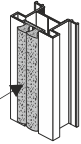
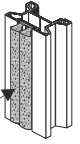
SYSTEM

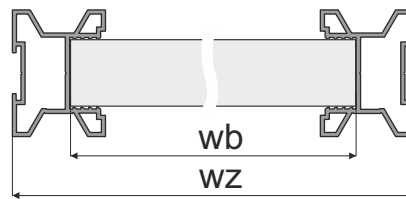
EXCLUSIVE 18 BOARD



SEVROLL®

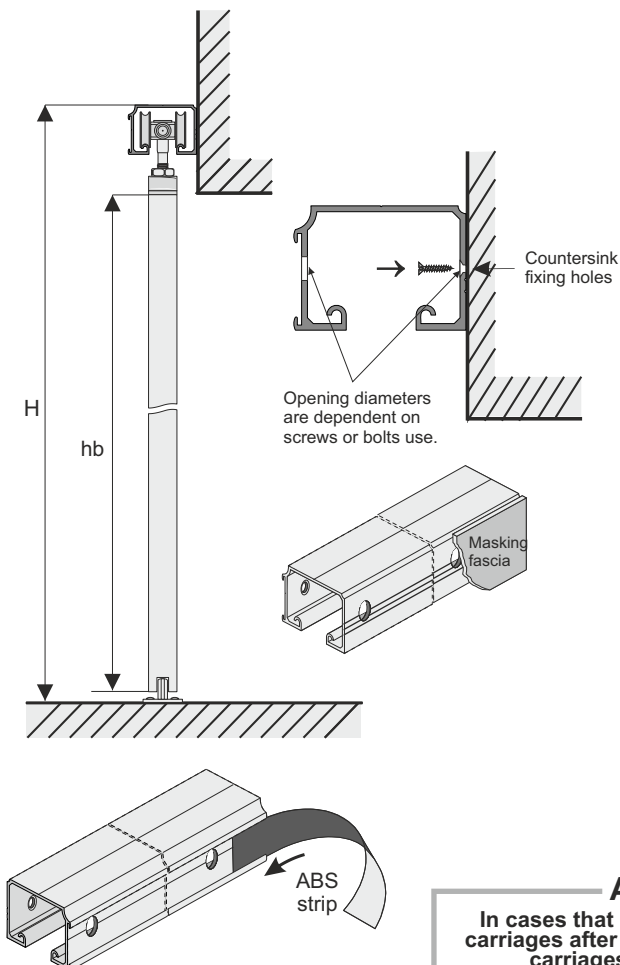


Handle length = door height		
	LINE PORTO	LINE PROSPER
	<p>Handle Porto</p>  <p>textile door stop (inserted) 14 mm x 4 mm</p>	<p>Handle Prosper II</p>  <p>textile door stop (inserted) 14 mm x 4 mm</p>
assumed door width	- WZ	WZ
board height	- hb	hb = H - 64 mm
board width	- wb	wb = wz - 41 mm



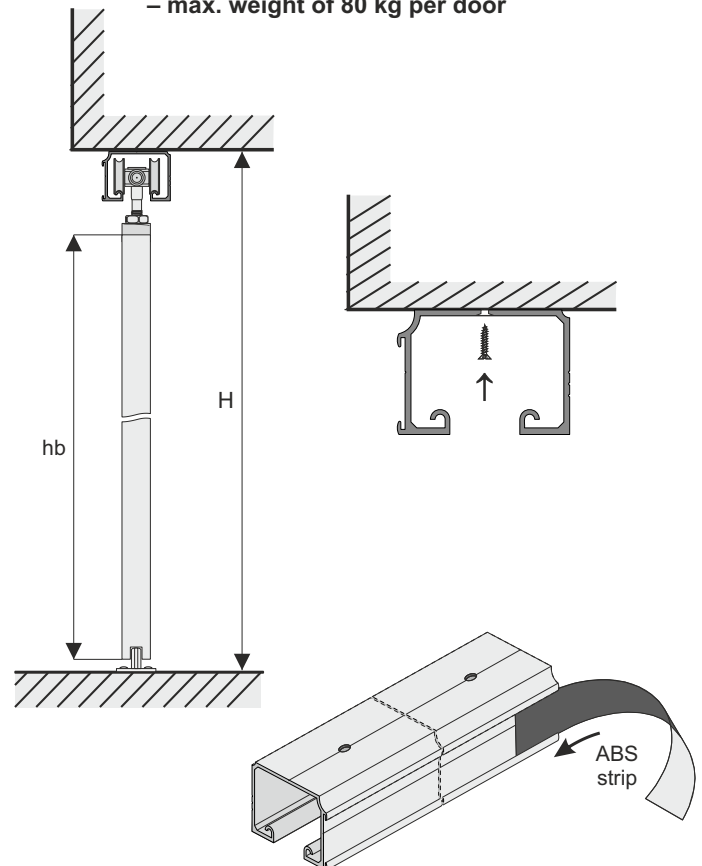
2. Track outside the opening

Side fastening of EXCLUSIVE track
– max. weight of 50 kg per door



1. Track within the opening

Top fastening of EXCLUSIVE track
– max. weight of 80 kg per door



ATTENTION!

In cases that it will not be possible to insert carriages after the installation of the top track, carriages should be inserted prior to track installation.

ATTENTION!

Remove protective film from aluminium elements (handles, tracks, connectors, etc.) prior to cutting them to the desired size. Film removal will reveal quality issues (eg. scratches)