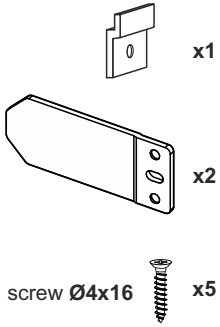
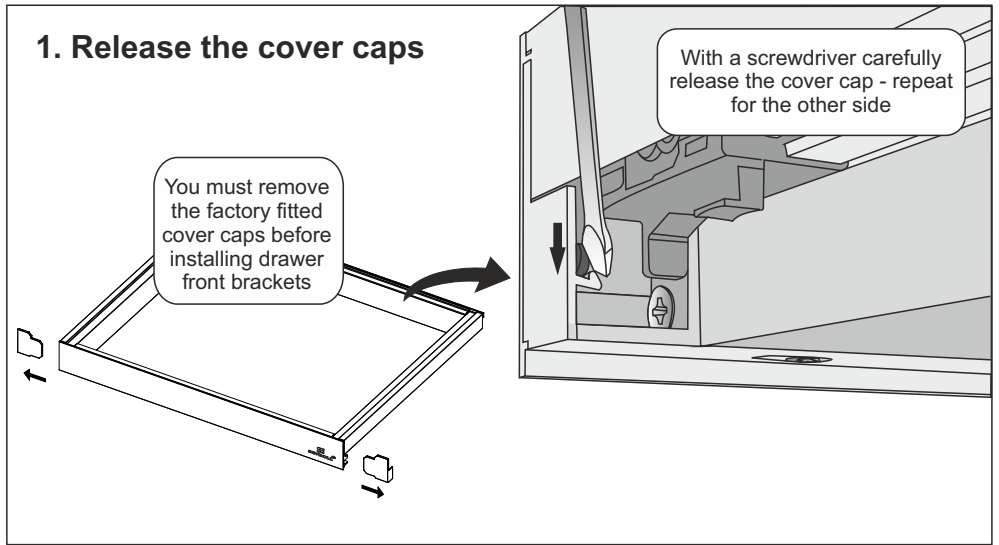




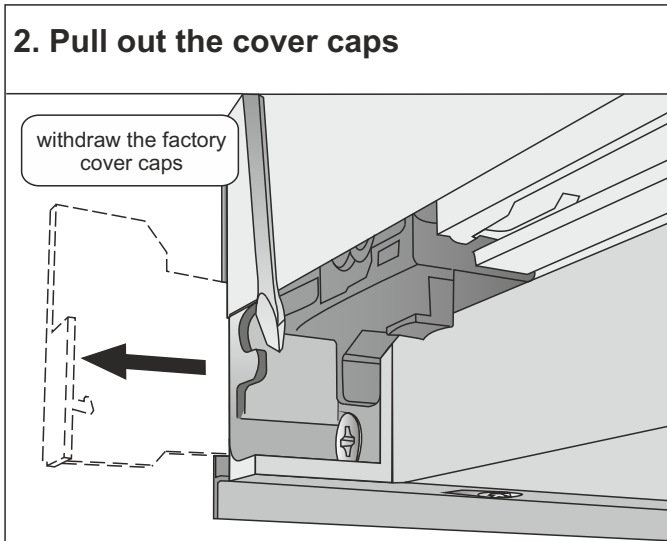
### Components



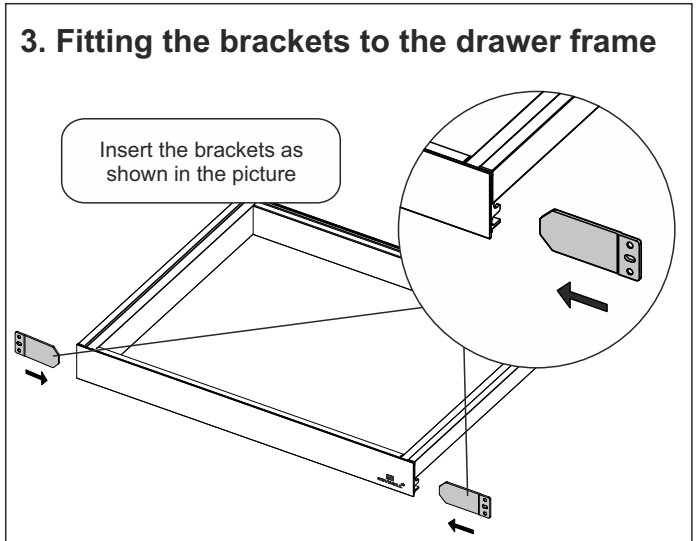
### 1. Release the cover caps



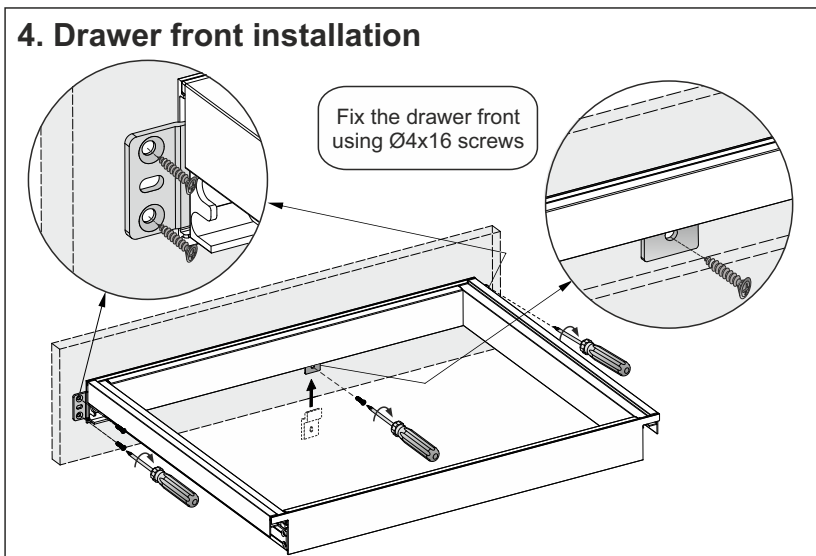
### 2. Pull out the cover caps



### 3. Fitting the brackets to the drawer frame



### 4. Drawer front installation



### 5. Final testing

