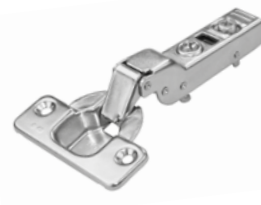


OVERLAY hinge
without mounting plate –
hole spacing 48 mm Ø35 mm –
soft-close clip-on hinges with on arm
eccentric adjustment (1 pc.)



HALF OVERLAY hinge
without mounting plate –
hole spacing 48 mm Ø35 mm –
soft-close clip-on hinges with on arm
eccentric adjustment (1 pc.)



INSET hinge
without mounting plate –
hole spacing 48 mm Ø35 mm –
soft-close clip-on hinges with on arm
eccentric adjustment (1 pc.)



UNIVERSAL MOUNTING PLATE
with 4 symmetrical holes



UNIVERSAL HINGE CUP
cover cap

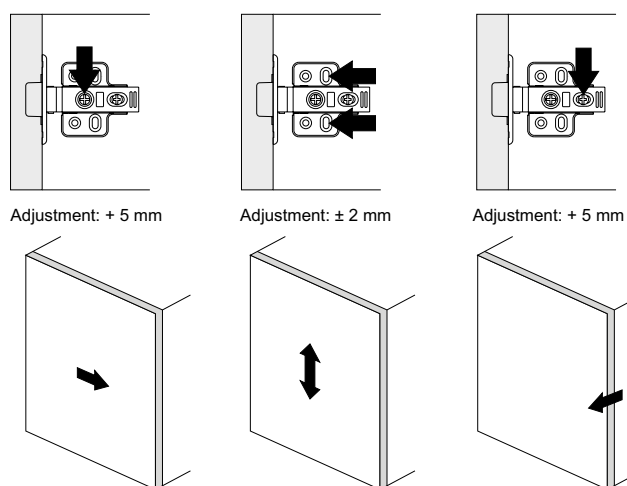


UNIVERSAL HINGE ARM
cover cap

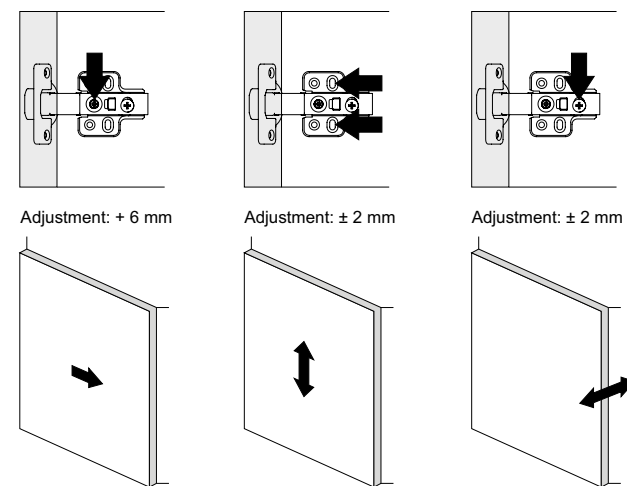


HINGE REGULATION – assembly instructions

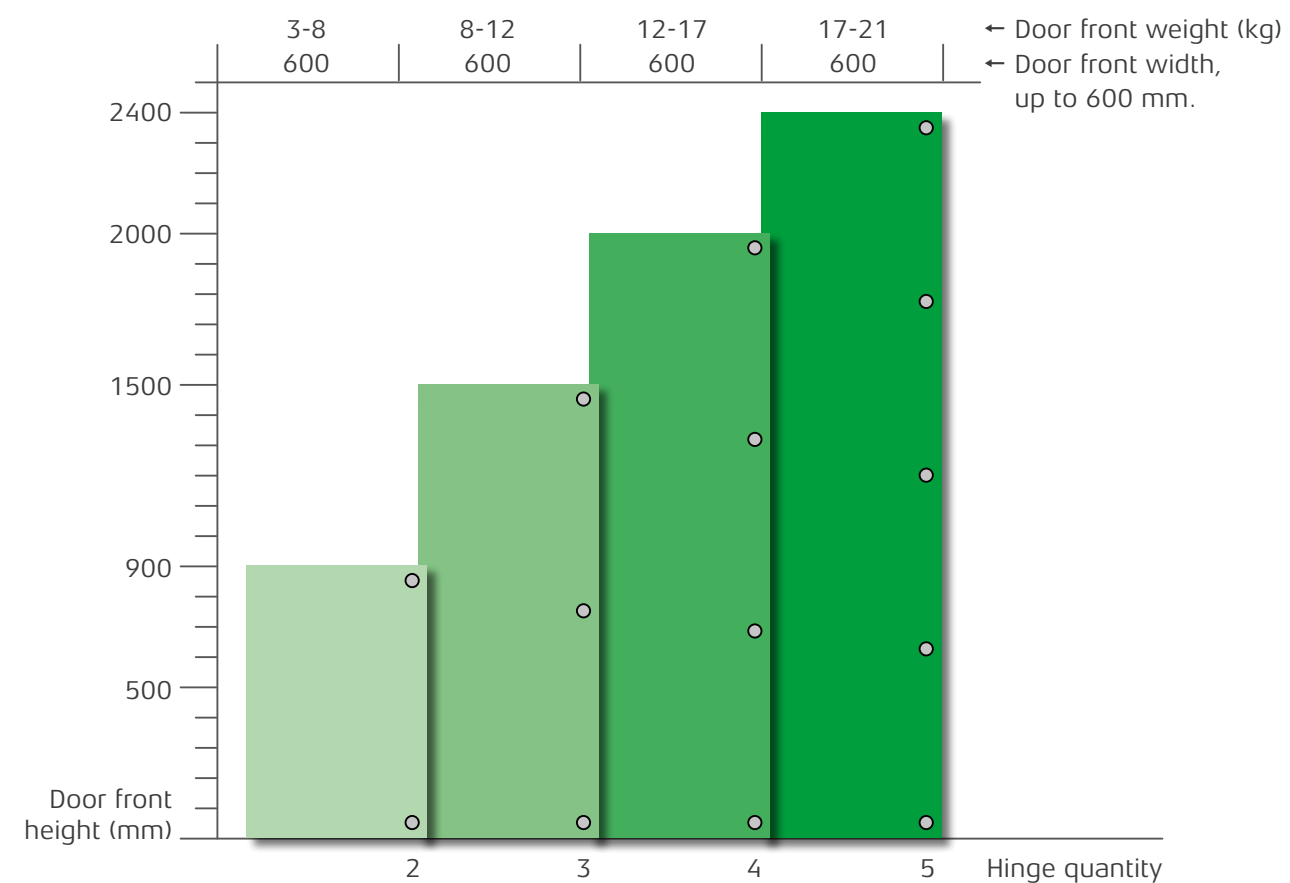
Hinges:
OVERLAY, HALF OVERLAY, INSET



ANGLED hinges



Determine the number of hinges required,
depending on the height and weight of door fronts used



HINGE QUANTITY IS DEPENDENT ON:

- Door front width and height
- Door front weight
- Door front material

For example:
You should use 3 hinges if the door front height is 1500 mm and the weight is between 8-12 kg.

Hinges
Soft-close clip-on hinges



- Hinges for carcass furniture doors
- Suitable for MFC and MDF boards from 18 mm
- Quiet close facilitated by precise build and a high quality silencer
- Extra long life. Tested to over 80000 open-close cycles
- Easy to install: detachable mounting plates guarantee an easy installation
- Available as sets and as separate components



HINGES SOLD AS SETS

HINGES SOLD AS SETS

HINGES WITH PREMOUNTING SCREWS

hole spacing 45 mm ø35 mm

OVERLAY HINGE, hole spacing 45 mm ø35 mm –
soft-close clip-on hinges (2 pcs)



Mounting plate H=0

K	3	4	5	6	7
A	17	18	19	20	21

K – cup distance
A – overlay



HALF OVERLAY HINGE, hole spacing 45 mm ø35 mm –
soft-close clip-on hinges (2 pcs)



Mounting plate H=0

K	3	4	5	6	7
A	8	9	10	11	12

K – cup distance
A – overlay



ANGLED HINGE 45° ø35 mm –
soft-close clip-on hinges (2 pcs)



Mounting plate H=0

K	4	5	6	7
A	4.5	5.4	6.3	7.2
X	37	36	35	34

K – cup distance
A – overlay
X – guide distance



ANGLED HINGE 90° ø35 mm –
soft-close clip-on hinges (2 pcs)



Mounting plate H=0

K	4	5
A	2.8	2.8
X	20	19

K – cup distance
A – overlay
X – guide distance



OVERLAY HINGE without mounting plate –
hole spacing 45 mm ø35 mm –
soft-close clip-on hinges (1 pc.)



HALF OVERLAY HINGE without mounting plate –
hole spacing 45 mm ø35 mm –
soft-close clip-on hinges (1 pc.)



INSET HINGE, hole spacing 45 mm ø35 mm –
soft-close clip-on hinges (2 pcs)



Mounting plate H=0

K	3	4	5	6	7
A	1.5	0.5	-0.5	-1.5	-2.5

K – cup distance
A – gap



ANGLED HINGE 30° ø35 mm –
soft-close clip-on hinges (2 pcs)



Mounting plate H=0

K	4	5	6	7
A	2.5	3.4	4.3	5.2
X	35	34	33	32

K – cup distance
A – overlay
X – guide distance



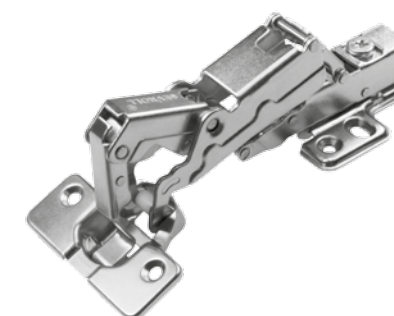
ANGLED HINGE 135° ø35 mm –
clip-on hinges (2 pcs)



Mounting plate H=0



FULL OVERLAY HINGE 165° ø35 mm –
soft-close clip-on hinges (2 pcs)



Mounting plate H=0

K	3	4	5	6	7
A	18	19	20	21	22

K – cup distance
A – overlay



INSET HINGE without mounting plate –
hole spacing 45 mm ø35 mm –
soft-close clip-on hinges (1 pc.)



UNIVERSAL MOUNTING PLATE
with premounting screws

