
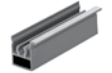






## PAX is minimalistic, simplistic and modern

Due to the use of minimalistic profiles PAX gives almost unlimited design possibilities. Despite its apparent delicacy, PAX's frame construction ensures its high rigidity and allows the creation of furniture up to 3000 mm high without losing door rigidity. This is possible thanks to incorporating assembly profile PAX. This system allows you to freely combine various colours of glass as well as veneered materials without visible connections.

### BASIC COMPONENTS OF LINE PAX

PRODUCT	NAME	INDEX	COLOUR	LENGTH (mm)
	Handle PAX	04094	SILVER	2700
		04098	RAL WHITE	2700
		04102	SILVER	3000
		04101	RAL WHITE	3000
	Upper horizontal profile PAX	04096	SILVER	3000
		04100	RAL WHITE	3000
	Lower horizontal profile PAX	04095	SILVER	3000
		04099	RAL WHITE	3000
	Strengthening profile	04318	SILVER	3000
	Spacer profile 04	04319	SILVER	3000
		04320	RAL WHITE	3000
	Gap filler PAX	20298	SILVER	–
		20299	RAL WHITE	–

#### The main advantages of line PAX include:






- Lack of visible frames and handles
- Invisible sliding doors mechanism
- Possibility of combining various colours of glass and various materials without a visible connector
- Possibility to use soft-close mechanisms that ensure silent and smooth door closing
- Possibility to use a variety of materials mirrors 4 mm; lacobel 4 mm, glass with graphics 4 mm and veneered board 4 mm
- The whole system is available in two colours – silver and white
- Maximum height up to 3000 mm
- Maximum door wing width up to 1100 mm

Line PAX utilises GEMINI 10 tracks, top guides and bottom carriages

## PAX XL is elegance at its best

Line PaxXL is extremely simple to use and creates a superb door. The finish of these doors is defined by the delicate profile visible around the outer edge. One of the main advantages of this system is the way 4 mm fillings are used with profile PaxXL. It is not necessary to polish the glass edge. You simply construct the doors using PaxXL gasket. Handle PaxXL is available in two lengths of 2.7 and 3 m.

### BASIC COMPONENTS OF LINE PAX XL

PRODUCT	NAME	INDEX	COLOUR	LENGTH (mm)
	Handle PAX XL	04414	SILVER	2700
		04416	RAL WHITE	2700
		04415	SILVER	3000
		04417	RAL WHITE	3000
	Upper horizontal profile PAX XL	04421	SILVER	3000
		04420	RAL WHITE	3000
	Lower horizontal profile PAX XL	04419	SILVER	3000
		04418	RAL WHITE	3000
	Strengthening profile	04318	SILVER	3000
	Gasket for frame type II	20167	–	Running M

#### The main advantages of line PAX XL include:

- Solid frame door construction
- Minimalist design, glass covers most of the profile, leaving only a 6 mm visible aluminium edge
- Easy to use with glass, mirror or lacobel using our gasket (no adhesives needed)
- Utilises Sevroll's ball-bearing top guides and bottom carriages
- Chose between two lower tracks: GEMINI or ELEGANT
- Soft-closers can be easily added
- Available in two colours: silver and white
- Can be used in both: free-standing and made-to-measure furniture
- Maximum weight of one door is up to 50 kg

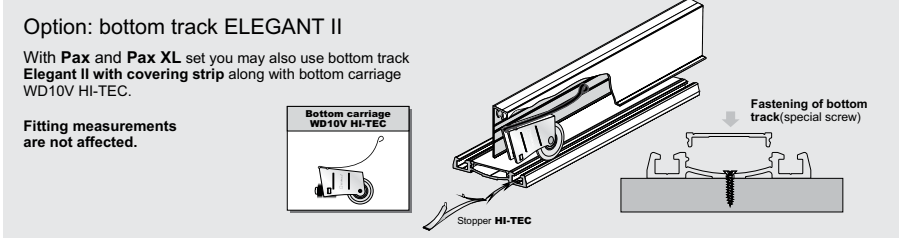
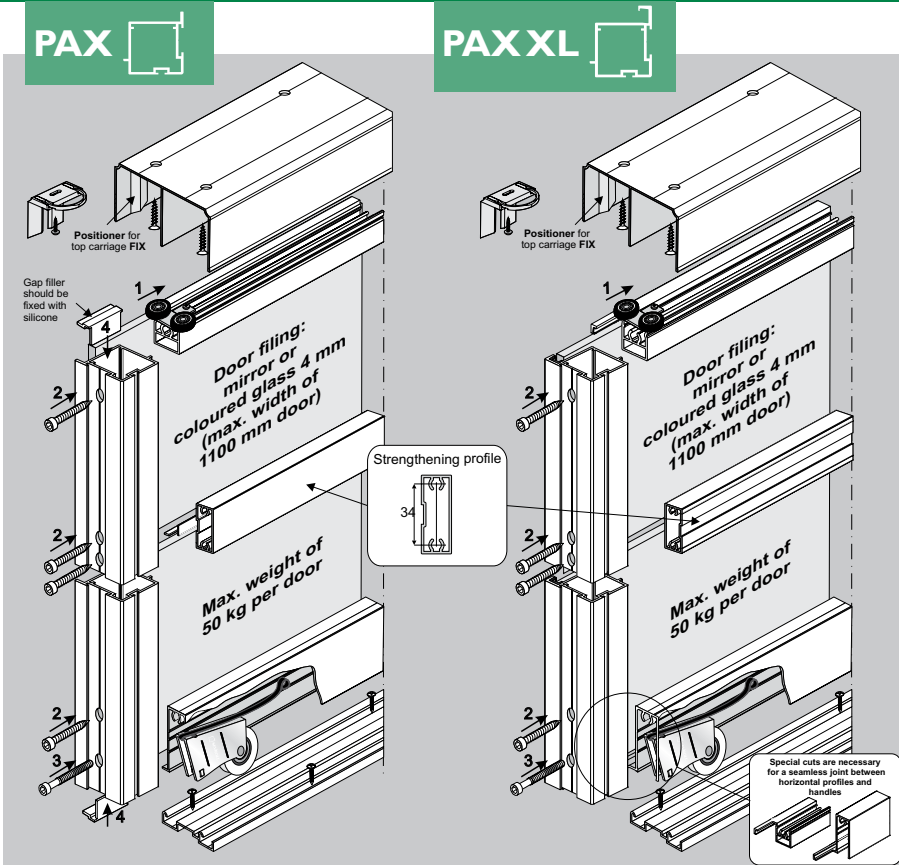
Line PAX XL utilises GEMINI 10 tracks, top guides and bottom carriages

## SYSTEM GEMINI 4 FOR SLIDING DOORS

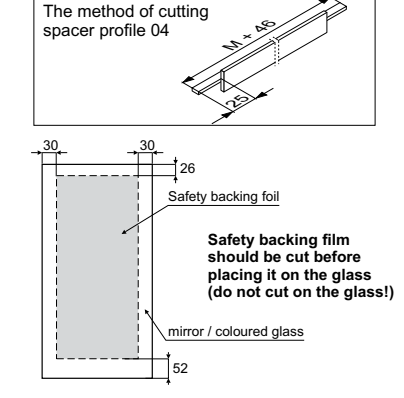
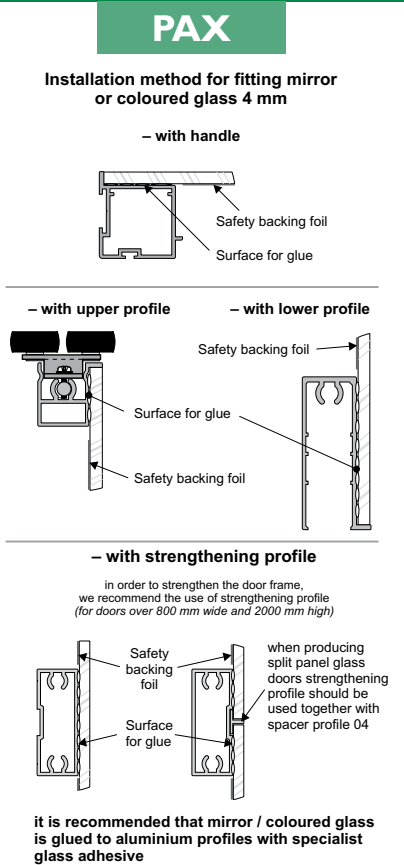
# PAX & PAX XL



IDEAL FOR FILLING WITH GRAPHICS

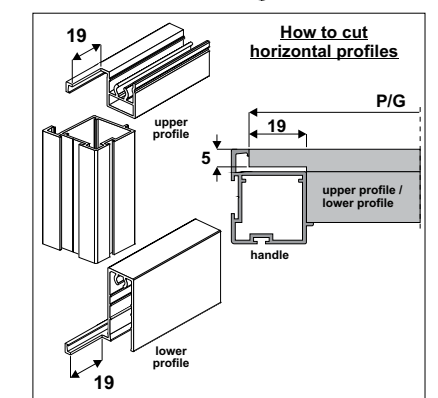
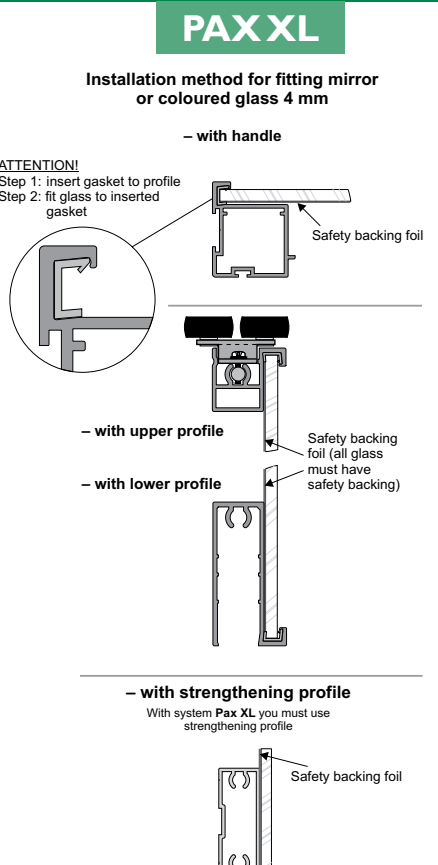


COMPONENTS - PAX				COMPONENTS - PAX XL			
<b>Handle Pax</b> Anti-dust brush (inserted) 4.8 x 13 mm Textile door stop (inserted) 14.5 x 4 mm	<b>Top track Gemini-Decor</b> 76 mm	<b>Bottom track Gemini-Decor</b> 53 mm	<b>Gap filler Pax</b> 4x	<b>Handle Pax XL</b> Anti-dust brush (inserted) 4.8 x 13 mm Textile door stop (inserted) 14.5 x 4 mm	<b>Top track Gemini-Decor</b> 76 mm	<b>Bottom track Gemini-Decor</b> 53 mm	<b>Gasket for frame type II</b> (20167)
<b>Guiding carriage Gemini WPGm-DUO</b>	<b>Lower horizontal profile Pax (A)</b> <b>Upper horizontal profile Pax (B)</b>	<b>Bottom carriage WD10C HI-TEC</b>	<b>(A) Strengthening profile Pax (A)</b> <b>(B) Spacer profile 04 Pax (B)</b>	<b>Guiding carriage Gemini WPGm-DUO</b>	<b>Lower horizontal profile Pax XL (A)</b> <b>Upper horizontal profile Pax XL (B)</b>	<b>Bottom carriage WD10C HI-TEC</b>	<b>Strengthening profile Pax</b>



**ATTENTION!**

Rear mirror / coloured glass surface must be secured with safety backing foil (excluding glass surface glued with mirror adhesive). The edges of glass must be polished.



**ATTENTION!**

Rear mirror / coloured glass surface must be secured with safety backing foil. The edges of glass must be polished.

