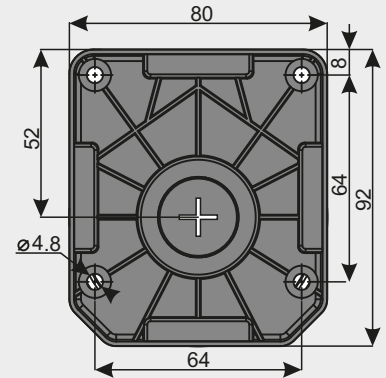
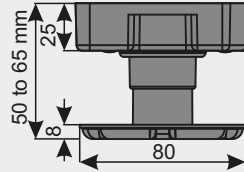
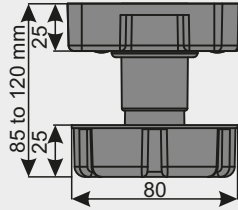
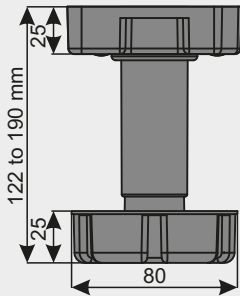
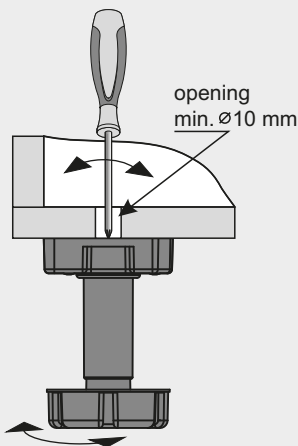


Adjustable furniture feet

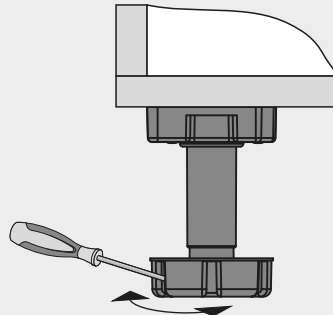
Assembly dimensions of legs



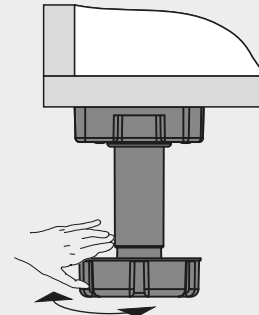
Foot height regulation



Adjustment with a screwdriver
from above
(be sure to use
an appropriate screwdriver)

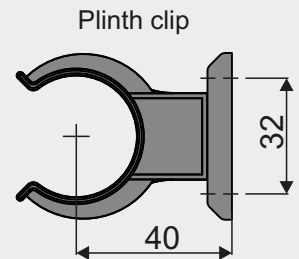
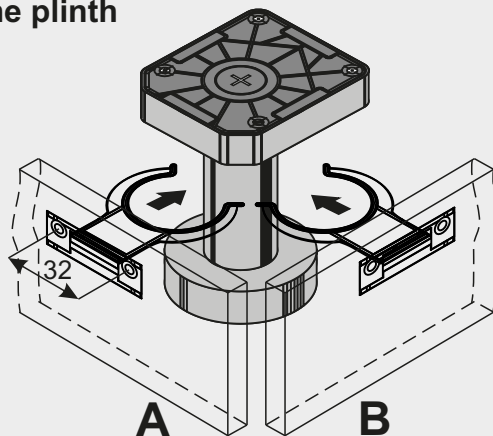


Adjustment with a screwdriver
from front



Manual adjusting

Installation of the plinth



The plinth can be attached both from the front (A) and from the side of the foot (B)
Thanks to this, the legs can also be used in "island" type projects

COMPONENTS

