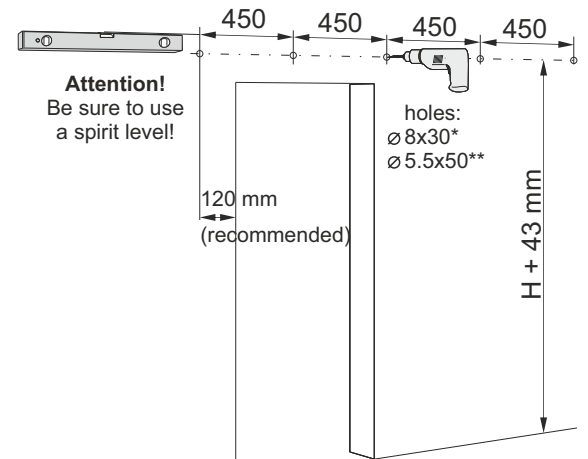


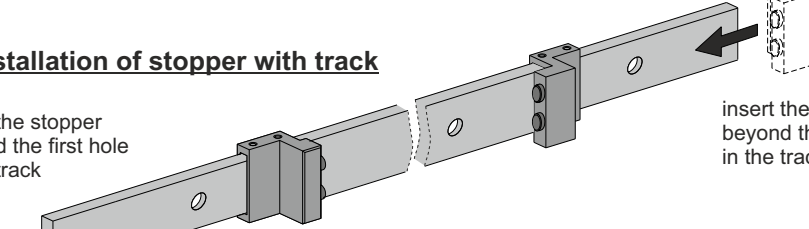
### 1. Hole positioning on wall



8x30\* - Fixing the track to concrete or brick  
 5.5x50\*\* - Fixing the track to wood

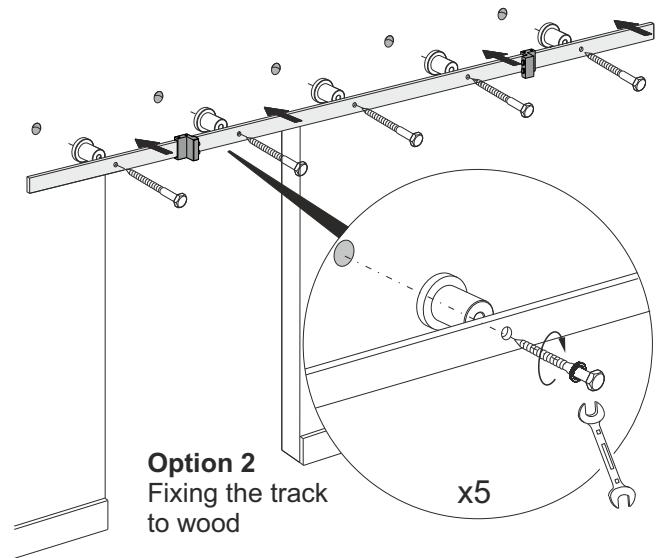
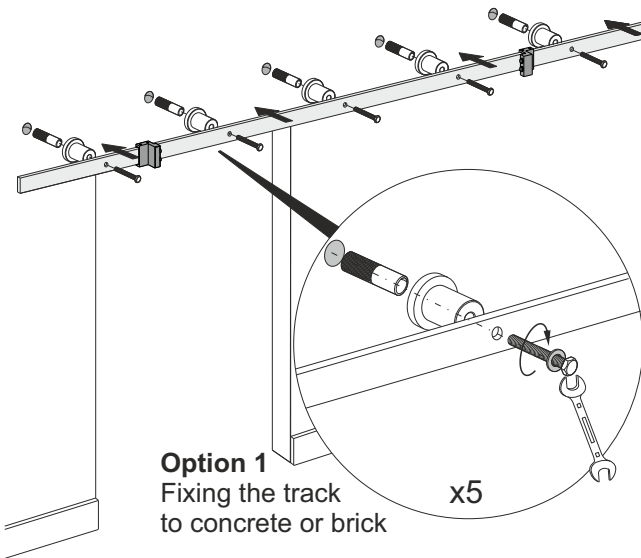
### 2. Installation of stopper with track

insert the stopper beyond the first hole in the track

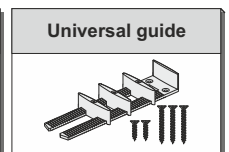
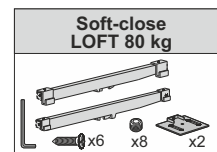


insert the stopper beyond the first hole in the track

### 3. Fixing the track to the wall

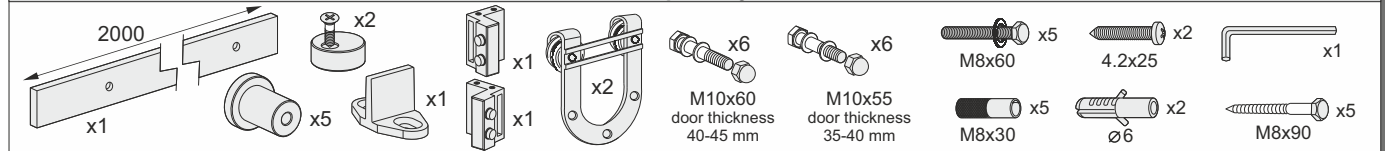


### ADDITIONAL COMPONENTS

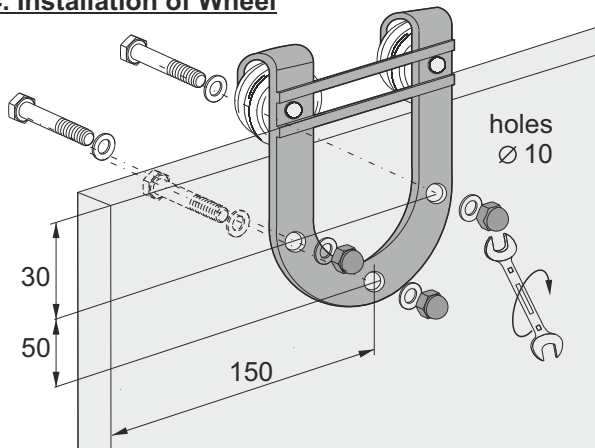


### COMPONENTS

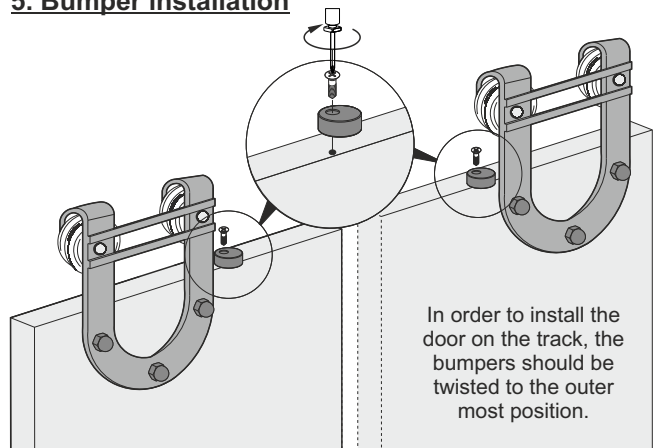
#### Set LOFT for pathway doors – OSCAR



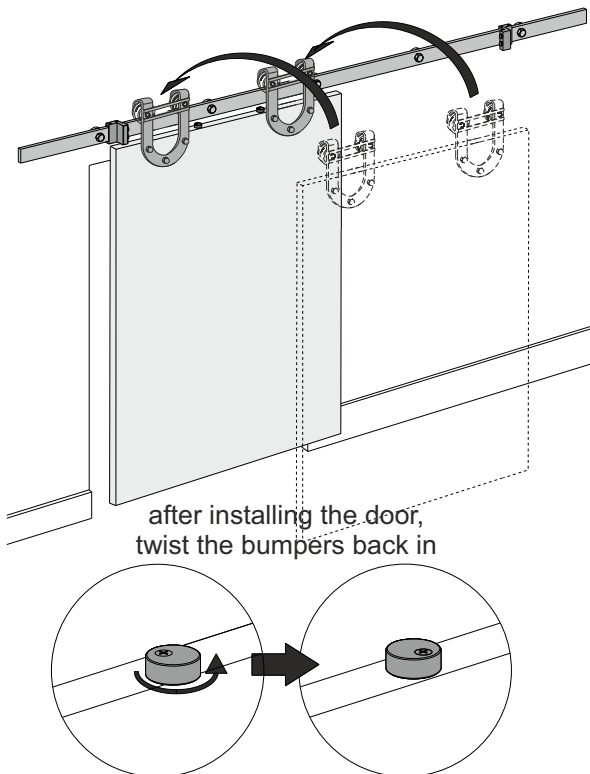
**4. Installation of Wheel**



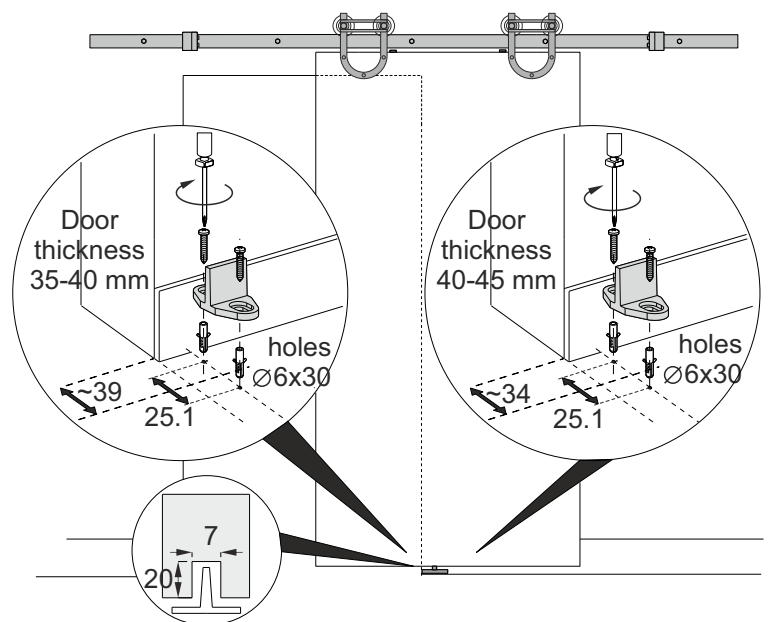
**5. Bumper installation**



**6. Door installation**



**7. Guide installation**



**8. Position the stoppers on the track**

