

COMPONENTS

<p>Top track Herakles</p>	<p>Pathway door set ZPH-18 II (Herakles II)</p> <p>x2 </p> <p>Carriage Herakles</p> <p>Flat spanner 6/13</p> <p>Flat spanner 13</p> <p>x2 </p> <p>stopper Herakles</p> <p>Screw 4x45 - 12 pcs</p> <p></p> <p>Universal guide</p>
----------------------------------	---

OPTIONS

<p>Masking fascia Herakles</p> <p>Anti-dust brush (inserted) 4.8x13</p>	<p>Sleeve spacer</p>	<p>Wall bracket Herakles</p>
<p>Mounting plate Herakles for wooden fascia</p> <p>Screw 3.5x10</p>	<p>Soft-close Herakles</p> <p>x1 </p> <p>40 kg - index 20392</p> <p>80 kg - index 20393</p> <p>x1 </p> <p>x2 </p>	



1. Track within the opening

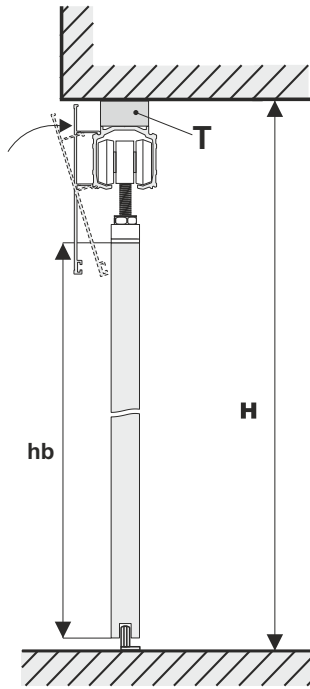
Board height - hb:

$$hb = H - 81 \text{ mm}$$

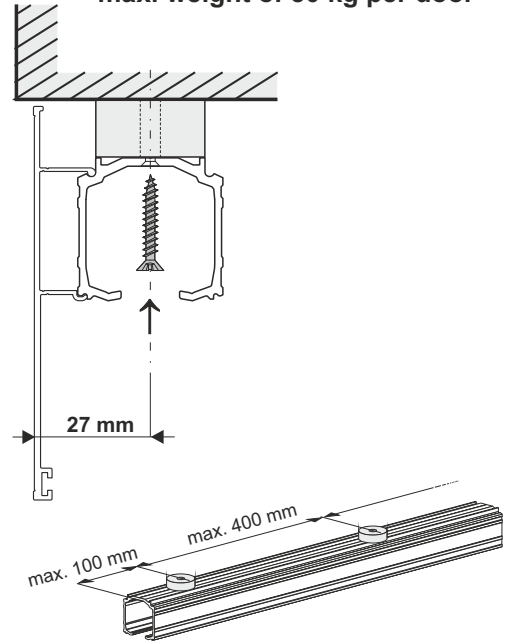
H - height of the opening

Without sleeve spacer T

$$hb = H - 68 \text{ mm}$$



Top fastening of HERAKLES track
- max. weight of 80 kg per door

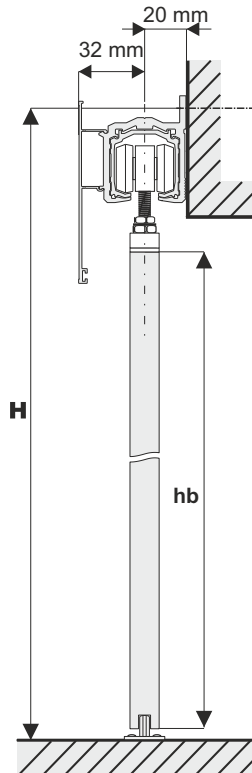
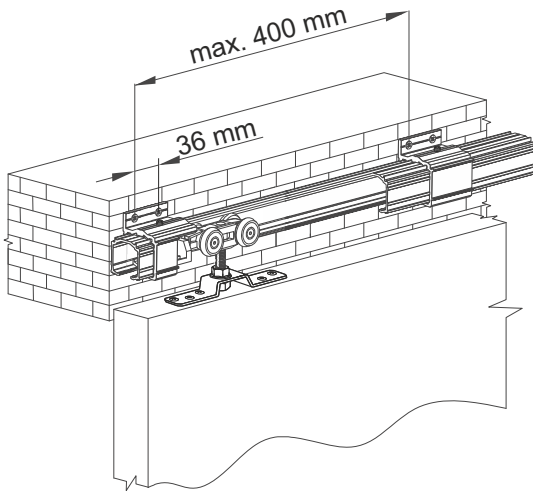


2. Track outside the opening

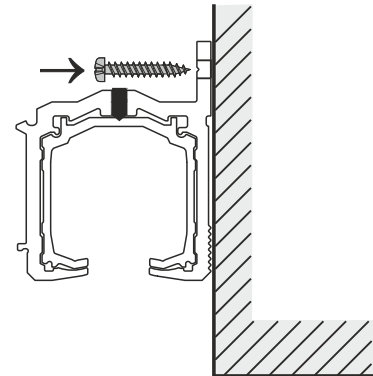
Board height hb:

$$hb = H - 79 \text{ mm}$$

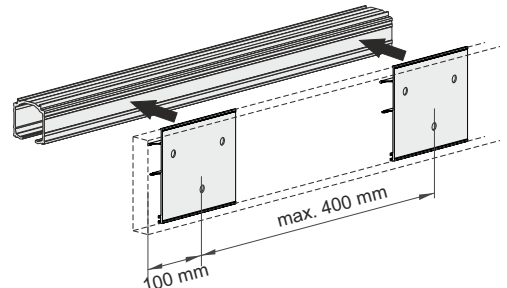
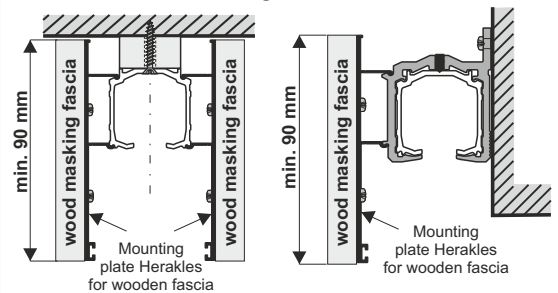
H - height from floor base to top of track



Side fastening of HERAKLES track
- max. weight of 80 kg per door



Wooden masking fascia installation



ATTENTION!

In cases that it will not be possible to insert carriages after the installation of the top track, carriages should be inserted prior to track installation.

ATTENTION!

Remove protective film from aluminium elements (handles, tracks, connectors, etc.) prior to cutting them to the desired size. Film removal will reveal quality issues (eg. scratches)