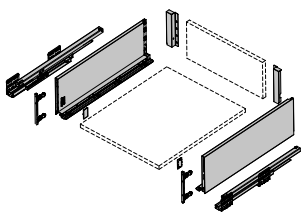
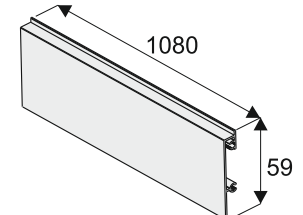
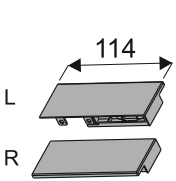
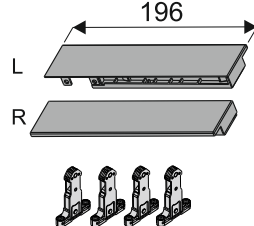
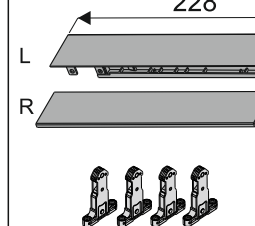


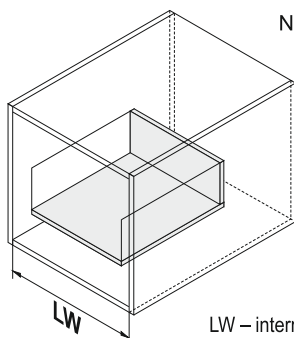
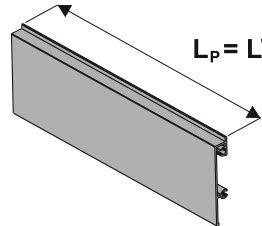
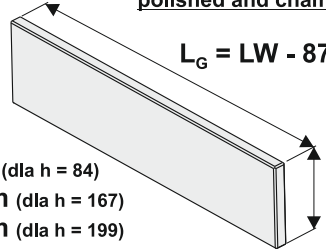
# Glass front fitting Set for internal drawer front SEVROLLBOX SLIM

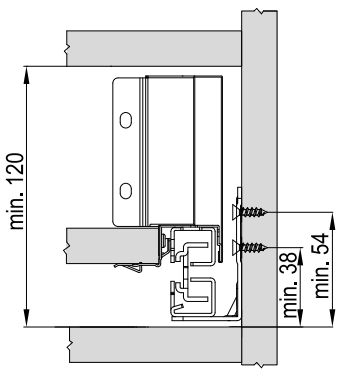
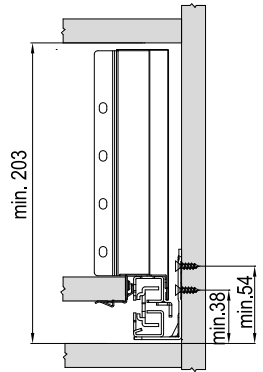
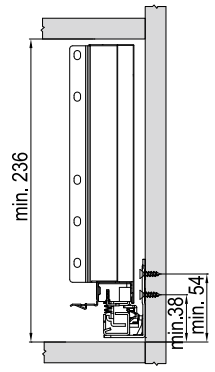
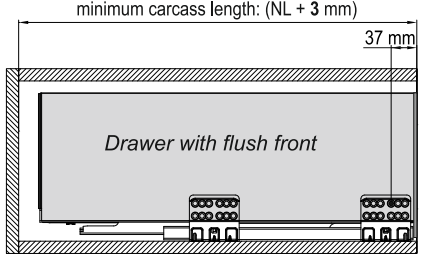
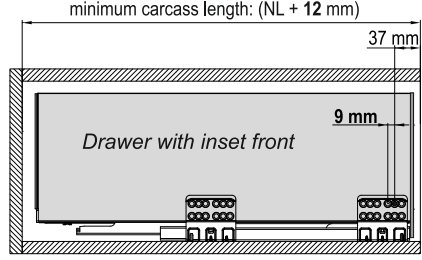


## Components:

<p>Drawer SEVROLLBOX SLIM h = 84 mm / h = 167 mm / h = 199 mm</p> 	<p>Length: 270 [mm] 300 350 400 450 500 550</p>	<p>Front base profile for glass internal drawer front SEVROLLBOX SLIM</p> 
---	---	---

<p>Glass front fitting Set for internal drawer front SEVROLLBOX SLIM h = 84 mm</p>  <p>114</p> <p>L</p> <p>R</p> <p>4x20</p> <p>Screws for "front base profile for glass"</p> <p>M3x7</p> <p>Screws for "Set for internal drawer"</p>	<p>Glass front fitting Set for internal drawer front SEVROLLBOX SLIM h = 167 mm</p>  <p>196</p> <p>L</p> <p>R</p> <p>4x20</p> <p>Screws for "front base profile for glass"</p> <p>M3x7</p> <p>Screws for "Set for internal drawer"</p>	<p>Glass front fitting Set for internal drawer front SEVROLLBOX SLIM h = 199 mm</p>  <p>228</p> <p>L</p> <p>R</p> <p>4x20</p> <p>Screws for "front base profile for glass"</p> <p>M3x7</p> <p>Screws for "Set for internal drawer"</p>
--	---	---

Cutting dimensions of profiles		
 <p>NL : 270 [mm] 300 350 400 450 500 550</p> <p>LW</p> <p>LW – internal width of carcass NL – nominal length of the drawer</p>	<p>Front base profile for glass internal drawer front</p>  <p><math>L_p = LW - 100 \text{ mm}</math></p>	<p>Glass # 8 mm</p> <p>Edges should be polished and chamfered!</p>  <p><math>L_G = LW - 87 \text{ mm}</math></p> <p><math>H_G</math>:</p> <p>54 mm (dla h = 84) 138 mm (dla h = 167) 170 mm (dla h = 199)</p>
<p>Calculations for the back wall and base of the drawer can be found in the instructions SEVROLLBOX SLIM</p>		

Mounting dimensions			
SEVROLLBOX SLIM h = 84 mm	 <p>min. 120</p> <p>min. 38</p> <p>min. 54</p>	SEVROLLBOX SLIM h = 167 mm	 <p>min. 203</p> <p>min. 38</p> <p>min. 54</p>
SEVROLLBOX SLIM h = 199 mm	 <p>min. 236</p> <p>min. 38</p> <p>min. 54</p>	<p>minimum carcass length: (NL + 3 mm)</p>  <p>37 mm</p> <p>Drawer with flush front</p>	
<p>minimum carcass length: (NL + 12 mm)</p>  <p>37 mm</p> <p>9 mm</p> <p>Drawer with inset front</p>		<p><b>ATTENTION!</b> To ensure that the drawers cover the high front applied, the guides should be taken back by 9 mm (one hole in the guide) into the carcass</p>	
<p>The front of the drawer sits level with the carcass edges</p>			