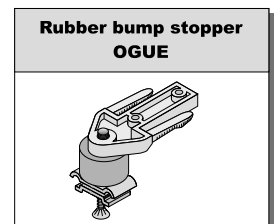
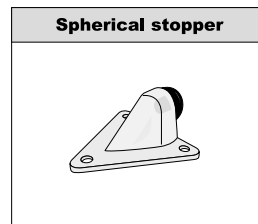
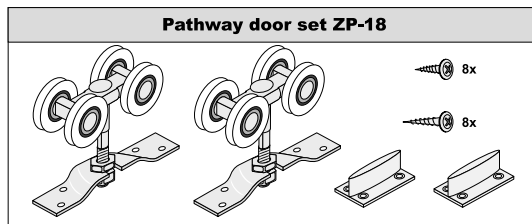
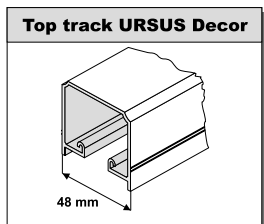


**COMPONENTS**

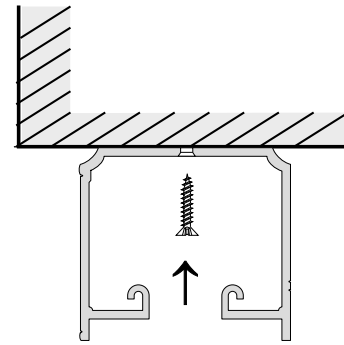
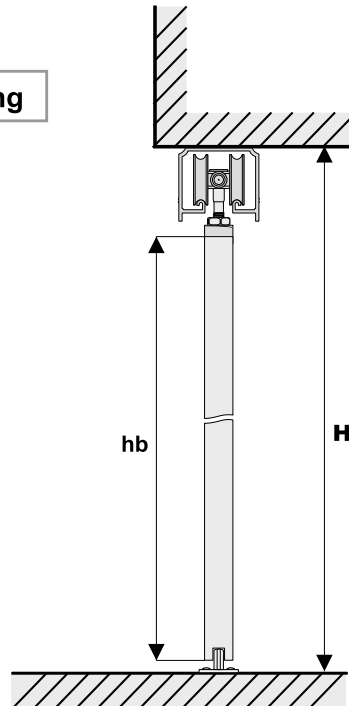


**1. Track within the opening**

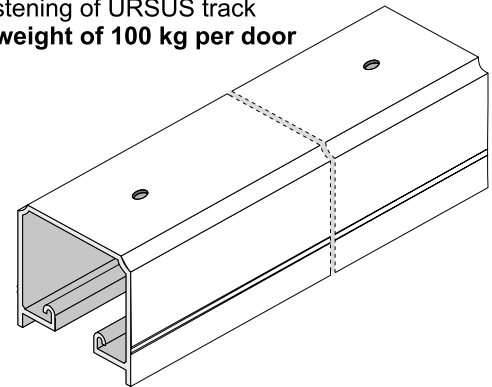
**Board height - hb:**

$$hb = H - 70 \text{ mm}$$

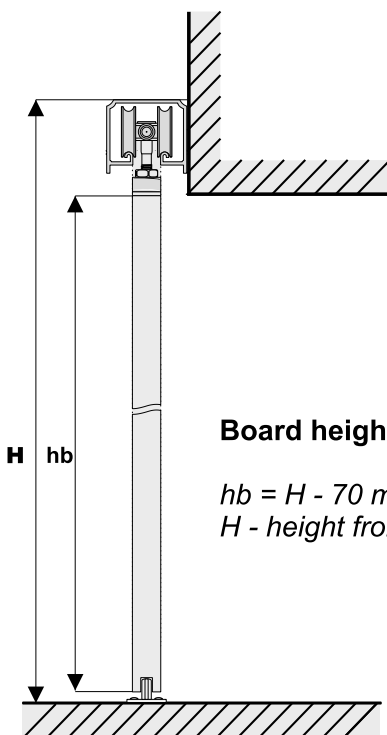
*H* - height of the opening



Side fastening of URSUS track  
- max. weight of 100 kg per door



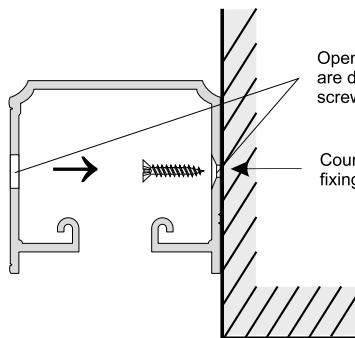
**2. Track outside the opening**



**Board height hb:**

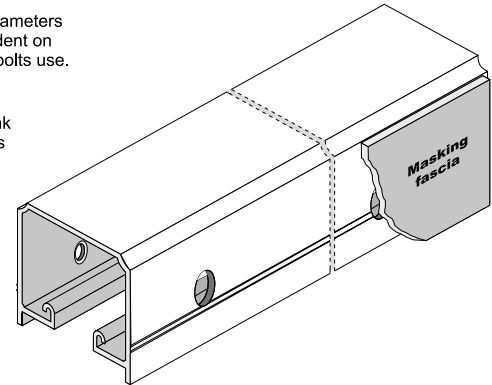
$$hb = H - 70 \text{ mm}$$

*H* - height from floor base to top of track



Opening diameters  
are dependent on  
screws or bolts use.

Countersink  
fixing holes



Side fastening of URSUS track - max. weight of 50 kg per door

**ATTENTION!**

In cases that it will not be possible to insert  
carriages after the installation of the top track,  
carriages should be inserted prior  
to track installation.

**ATTENTION!**

Remove protective film from aluminium elements (handles, tracks, connectors, etc.) prior to cutting them to the desired size. Film removal will reveal quality issues (eg. scratches)