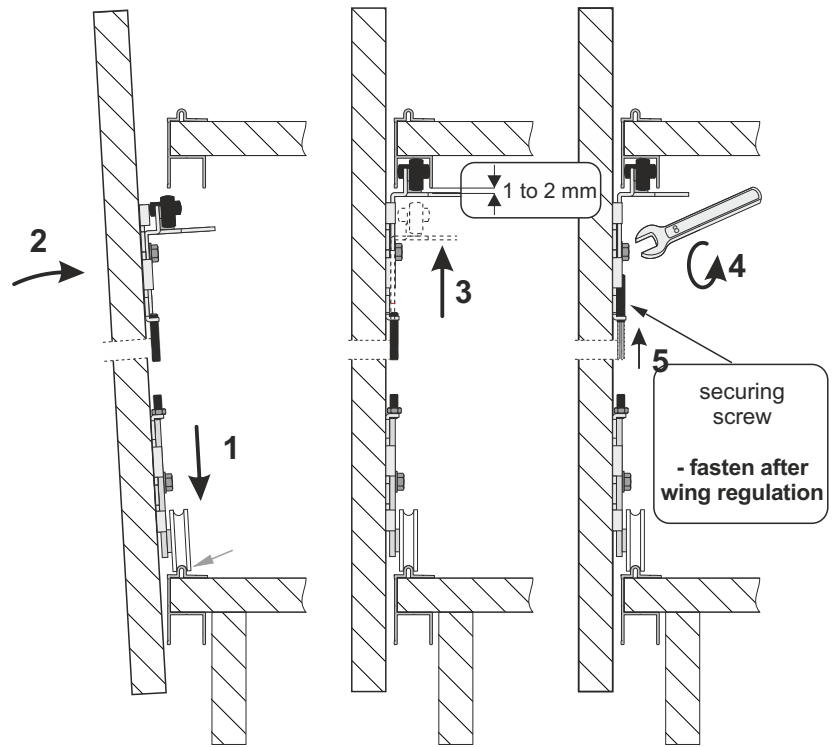
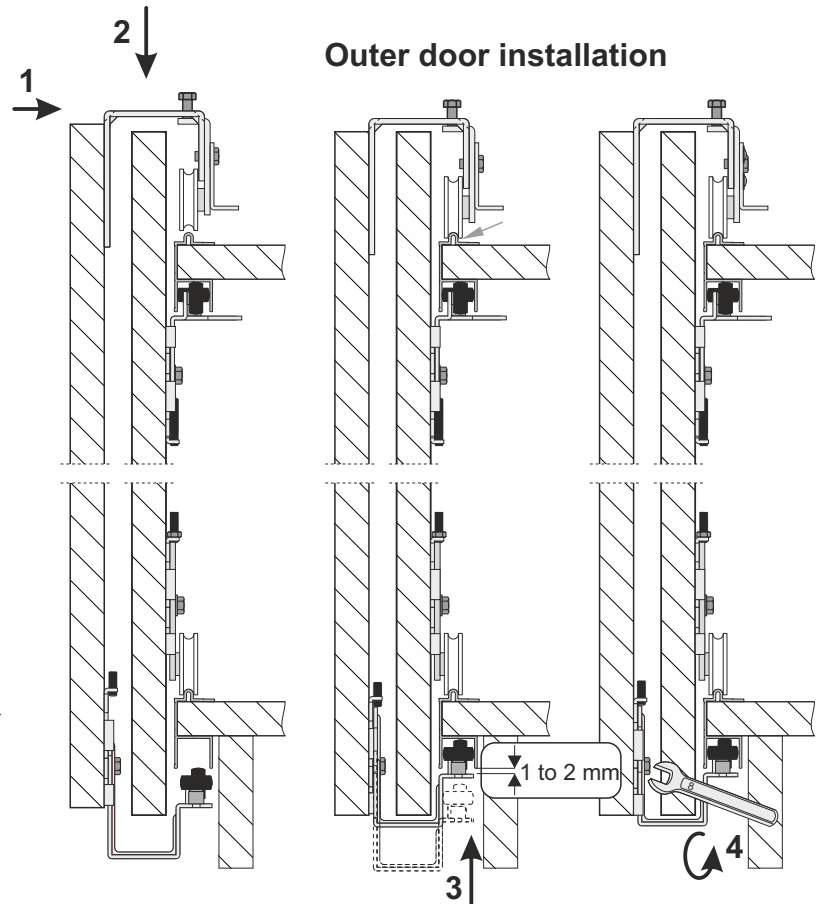


Inner door installation



Outer door installation

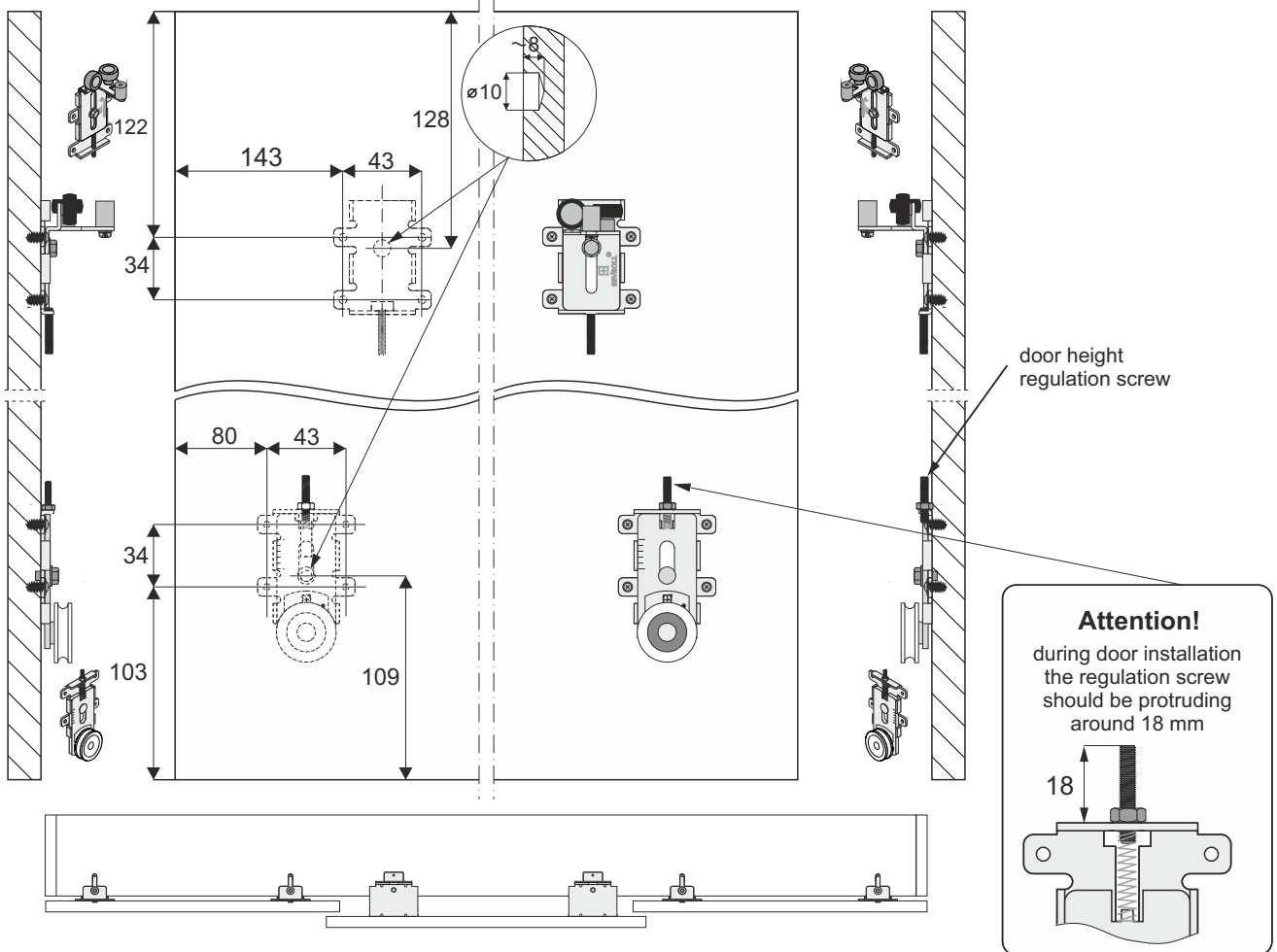


COMPONENTS

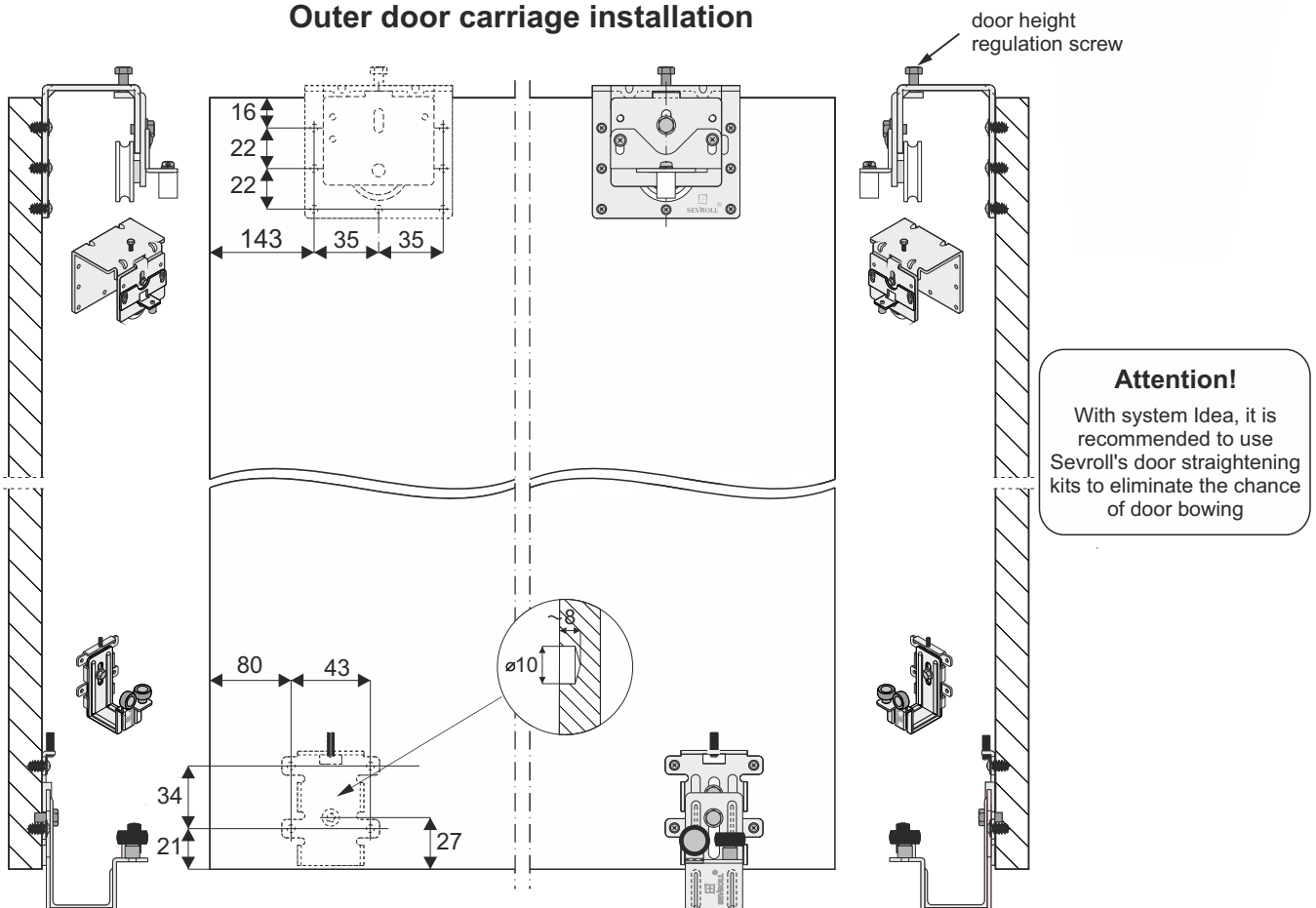
Track IDEA	Set for sliding door IDEA – 2 doors	Set for sliding door IDEA – 1 inner door
L: 2.00 m, 3.00 m, 6.00 m		
	x2	x2
	x2	x1
	x2	x1
	x4	
	x38	x16
	x8	x1
	x4	x1



Inner door carriage installation



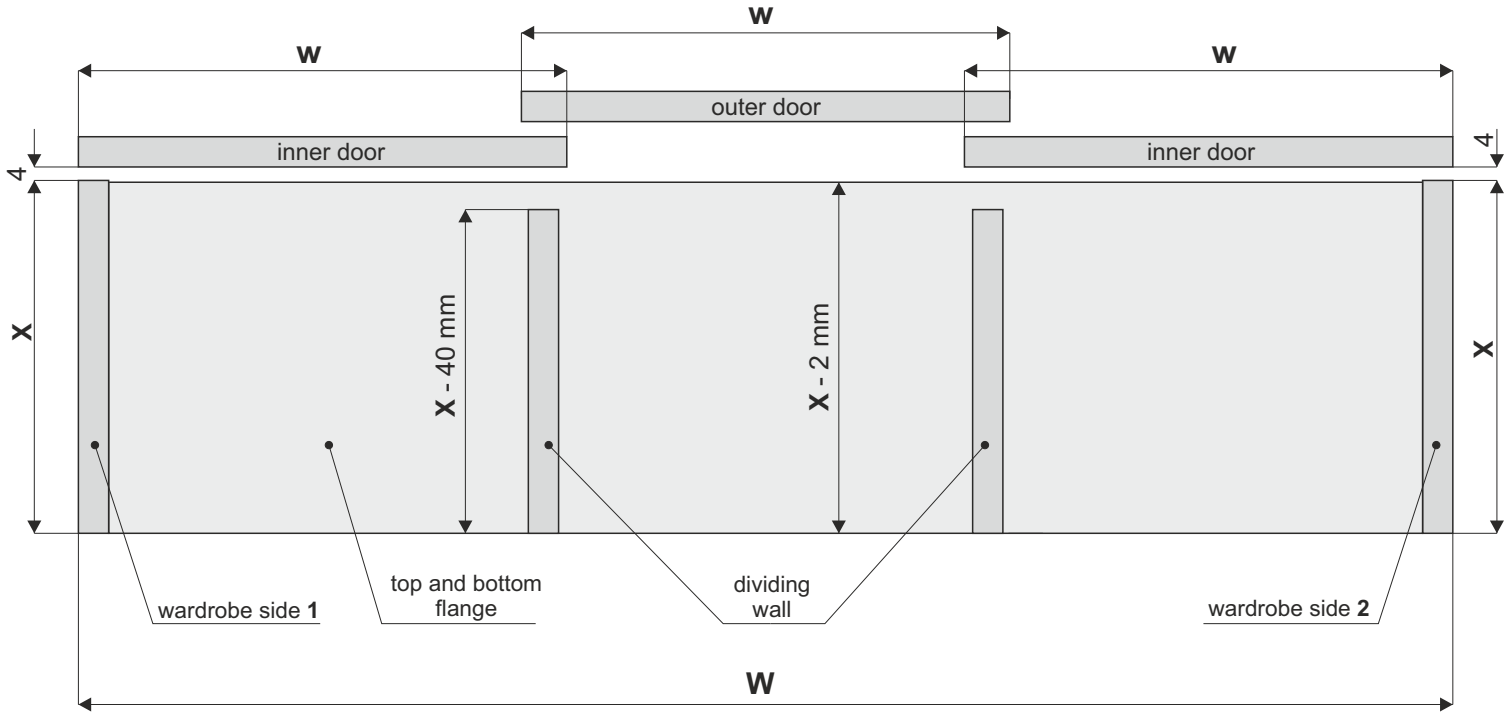
Outer door carriage installation





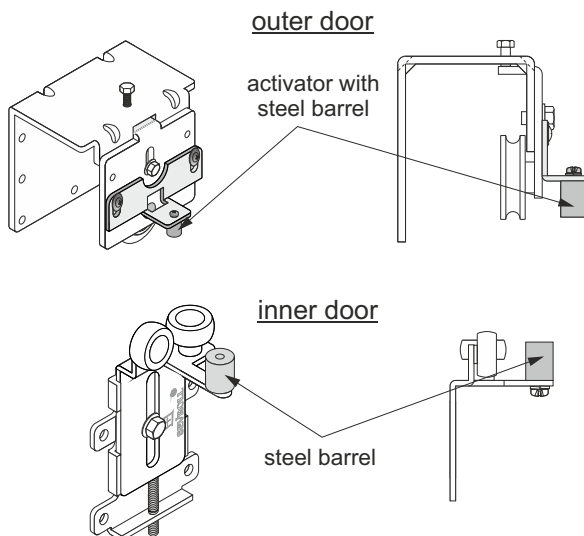
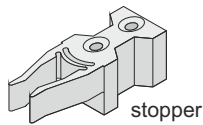
Board width calculations for wardrobe elements
(all dimensions include edging)

$$w = W : 3 + 20 \text{ mm}$$



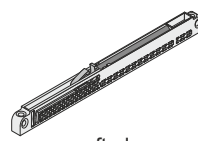
door positioning when using **STOPPERS**

- use activator **with steel barrel**



door positioning when using **SOFT-CLOSE**

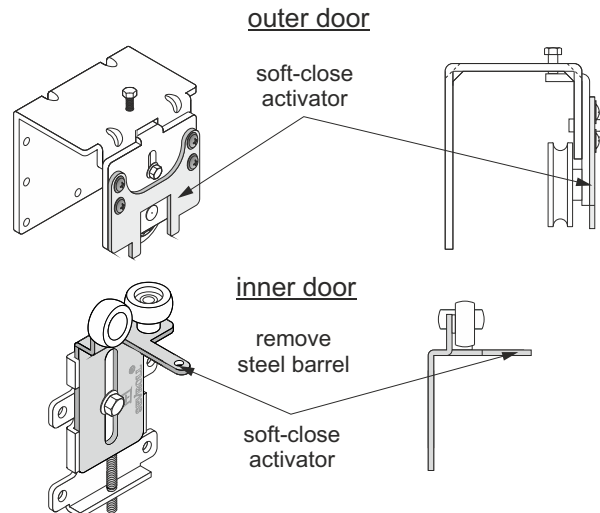
- use activator **without steel barrel**



soft-close
MINI SV-25 (index: 20359-SV)
or **MINI SV-40** (index: 20260-SV)
(inner door)

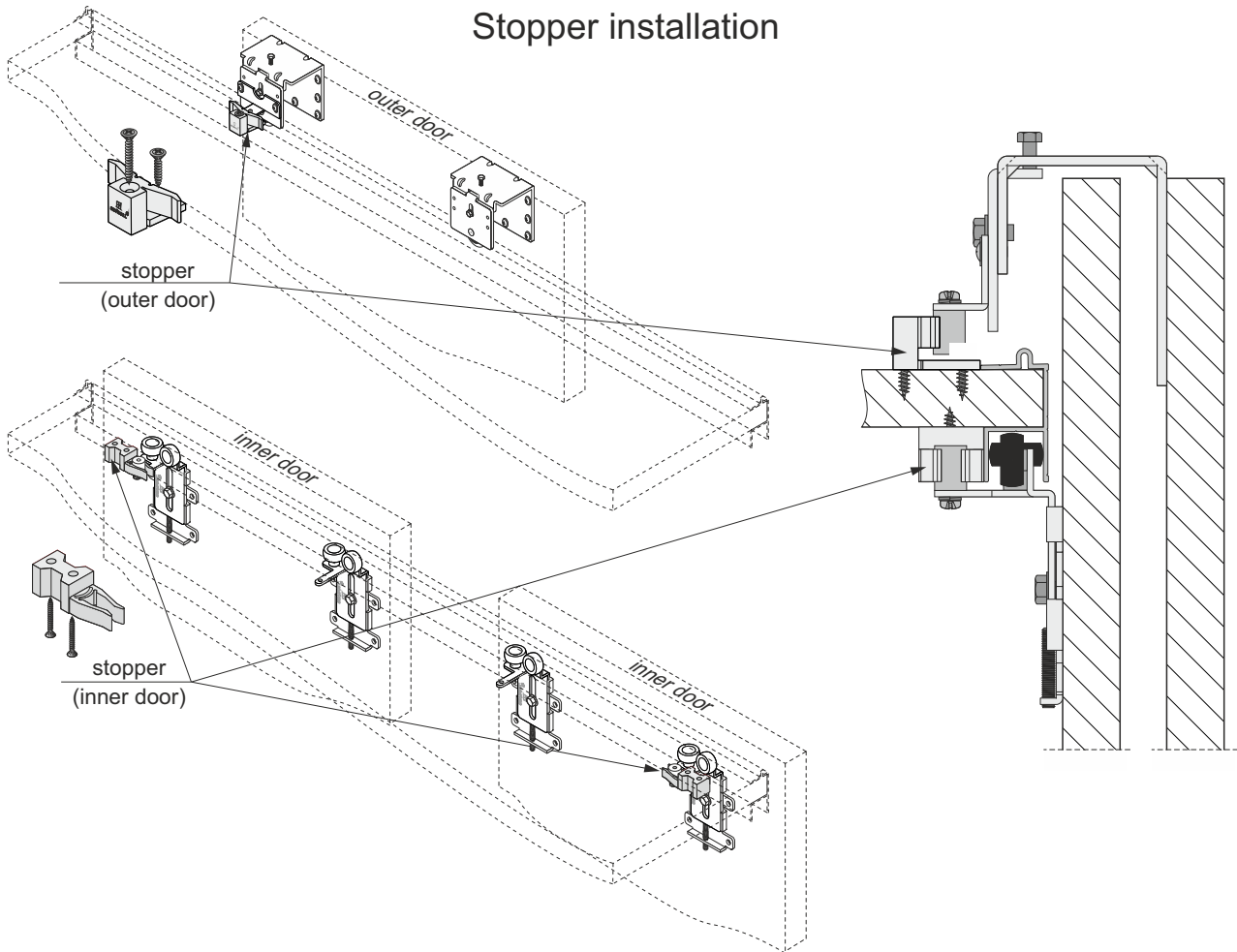


soft-close
CENTRAL SV-25 (index: 20360-BL)
or **CENTRAL SV-40** (index: 20297-BL)
(outer door)





Stopper installation



Soft-close installation

