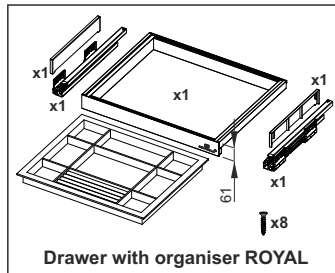
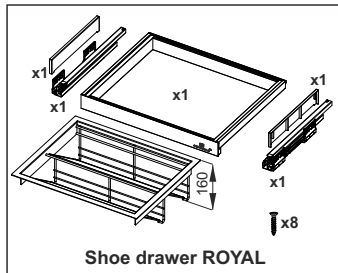
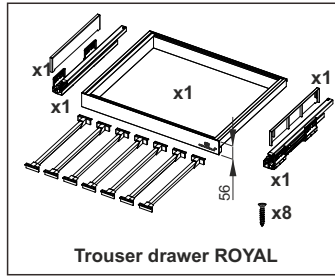
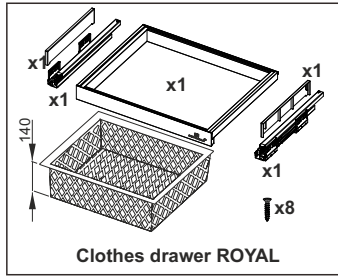


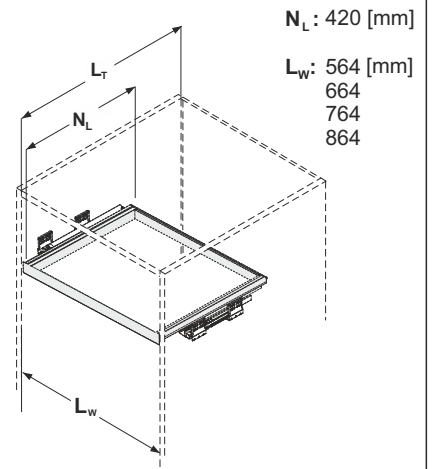


Components



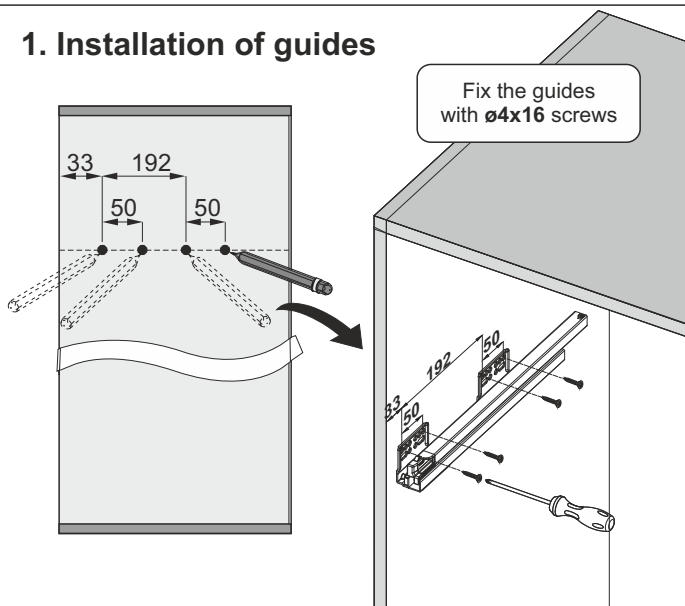
Note: This set includes $\varnothing 4 \times 16$ screws

Carcass dimensions

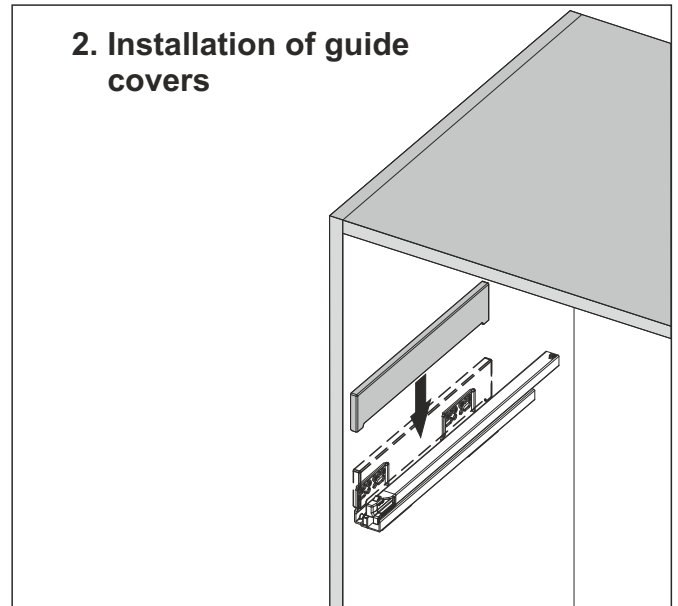


N_L - Drawer depth
 L_T - Internal carcass depth min. $N_L + 5 \text{ mm}$
 L_W - Internal carcass segment width

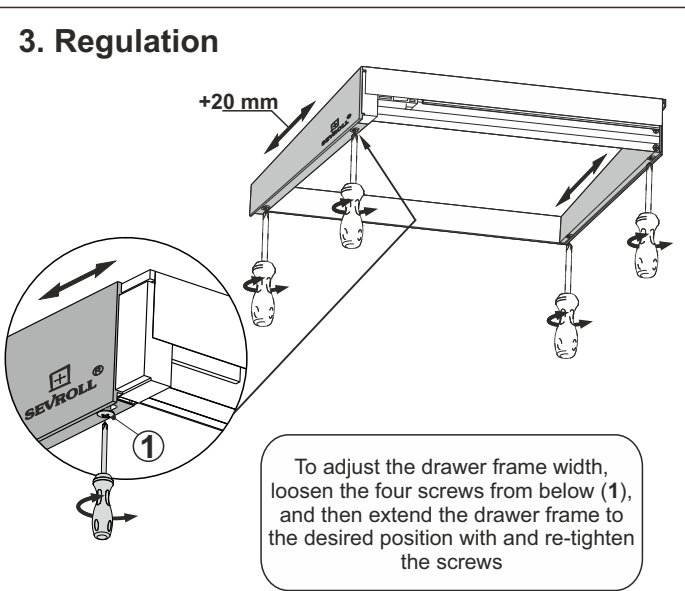
1. Installation of guides



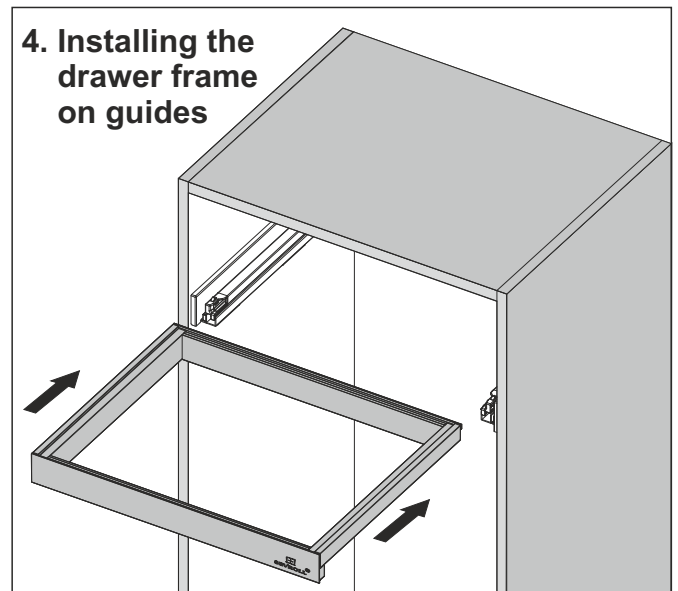
2. Installation of guide covers



3. Regulation

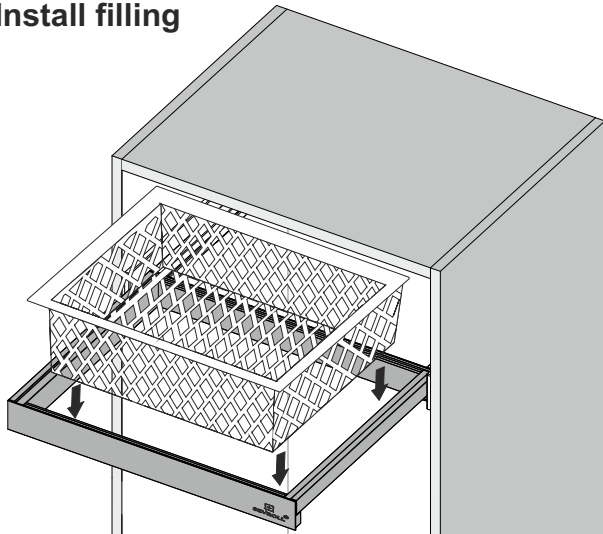


4. Installing the drawer frame on guides

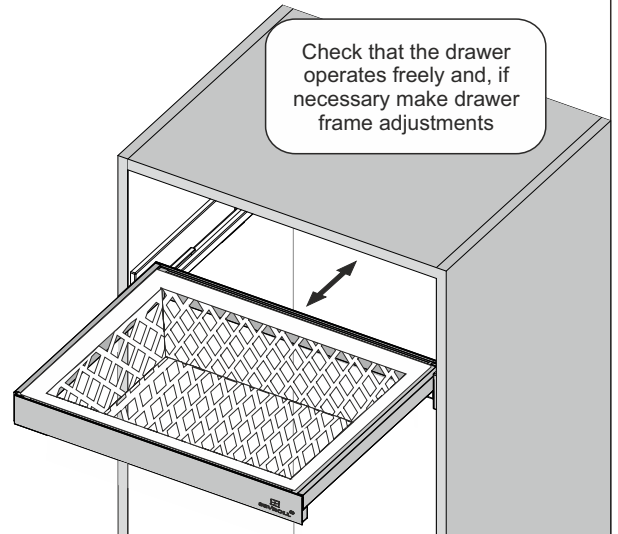




5. Install filling



Check that the drawer operates freely and, if necessary make drawer frame adjustments



6. Drawer removal

Remove filling

