

Max. weight of door 32 kg (2 x 16 kg)

t - door wing thickness (18 to 30 mm)
h - door wing height (max. 2600 mm)
w - door wing width (380 to 460 mm)

view from above

ATTENTION!
Dependent on customer needs, there are sets suitable for either left or right hinged doors

Positioning of handles:

1 - one long handle horizontally
(spacing of handle min. 192 mm)

or

2 - two handles horizontally
(by the edges of wing)

view from the middle of the wardrobe

view from the middle of wardrobe

For wardrobes with recessed doors it is recommended to install additional bumper stops (index: 40130)

view from below

soft-close mechanism (right)

view from below

soft-close mechanism (right)

dimensions for overlay door

door wing width (mm)	regulation of mechanism arm length	B	C	D
375 to 385	1	179.5-S	152	(150)
385 to 395	2	184.5-S	155	(155)
395 to 405	3	189.5-S	158	(160)
405 to 415	4	194.5-S	161	(165)
415 to 425	5	199.5-S	164	(170)
425 to 435	6	204.5-S	167	(170)
435 to 445	7	209.5-S	170	(175)
445 to 455	8	214.5-S	173	(180)
455 to 465	9	219.5-S	176	(180)

dimensions for inset door

door wing width (mm)	regulation of mechanism arm length	B	C	D
375 to 385	1	179.5	152	(150)
385 to 395	2	184.5	155	(155)
395 to 405	3	189.5	158	(160)
405 to 415	4	194.5	161	(165)
415 to 425	5	199.5	164	(170)
425 + 435	6	204.5	167	(170)
435 + 445	7	209.5	170	(175)
445 + 455	8	214.5	173	(180)
455 + 465	9	219.5	176	(180)

COMPONENTS

Set for folding doors FOLD (Left or right)

mechanism for folding doors Fold
assembly plate
stopper

screw 3.5x15 (mechanism) - 4 pcs
screw 3.5x25 (stopper, handle) - 3 pcs
screw M4x6 (handle) - 1 pc.

EXTRA COMPONENTS

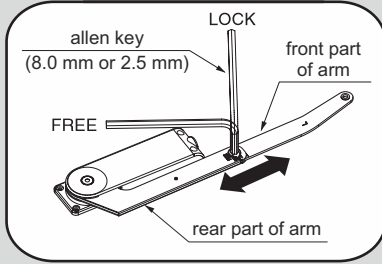
Hinge ø35 clip on with soft close

1 inset (223034)
2 full overlay (223032) x2

Clip hinge

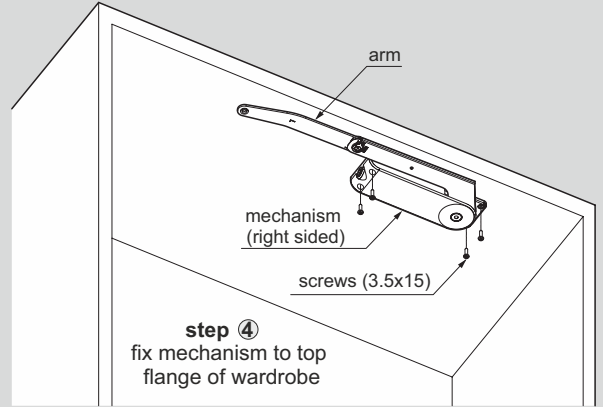
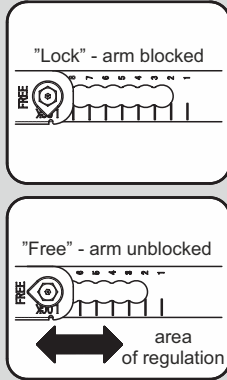
step 1 and 3

unlock / block folding door mechanism's arm

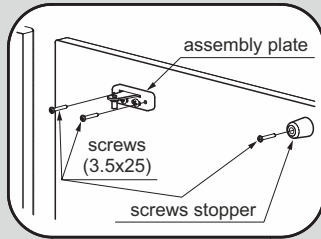


step 2

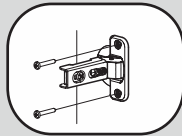
set required length of folding door mechanism's arm



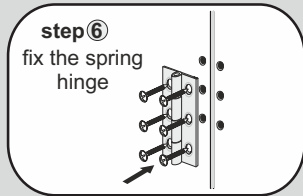
step 4
fix mechanism to top flange of wardrobe



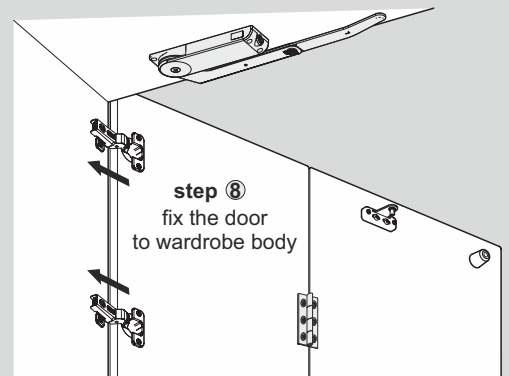
step 5
fix stopper and assembly plate



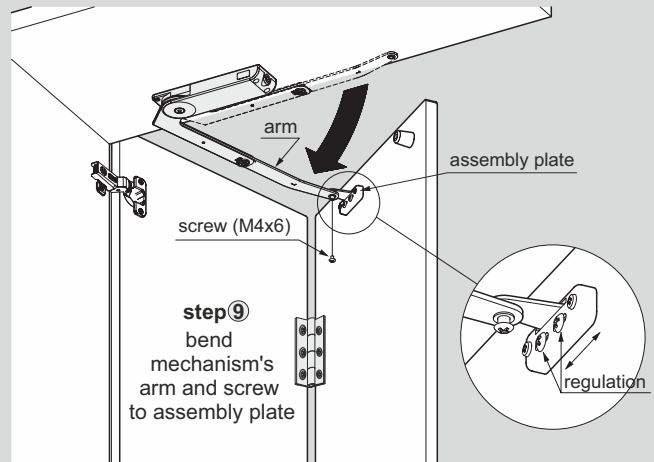
step 7
fix the hinges



step 6
fix the spring hinge

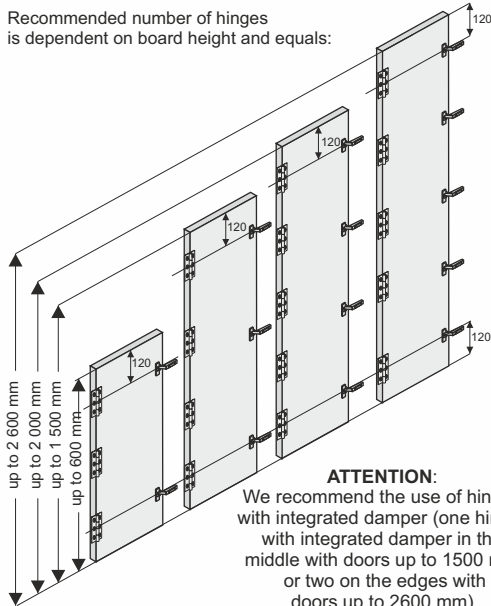


step 8
fix the door to wardrobe body

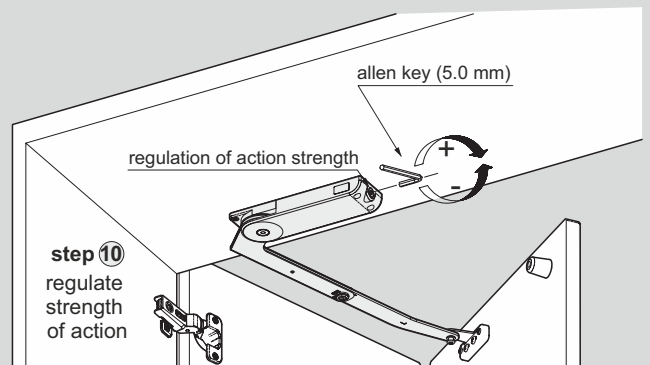


step 9
bend mechanism's arm and screw to assembly plate

Recommended number of hinges is dependent on board height and equals:



ATTENTION:
We recommend the use of hinges with integrated damper (one hinge) with integrated damper in the middle with doors up to 1500 mm or two on the edges with doors up to 2600 mm)



step 10
regulate strength of action