

**COMPONENTS**

**Track Horus**

L: 1.20 m, 1.50 m, 1.80 m,  
2.00 m, 2.40 m, 3.00 m,  
4.00 m, 6.00 m

53

**Set Horus (1 door)**

Carriage 22      Plastic guide      Clipstopper      Screw set

Ø4x40  
Ø4x16  
Ø4x16

**Set Horus (2 doors)**

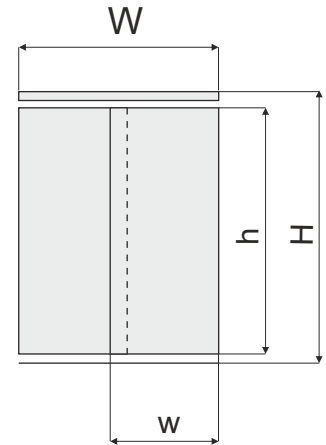
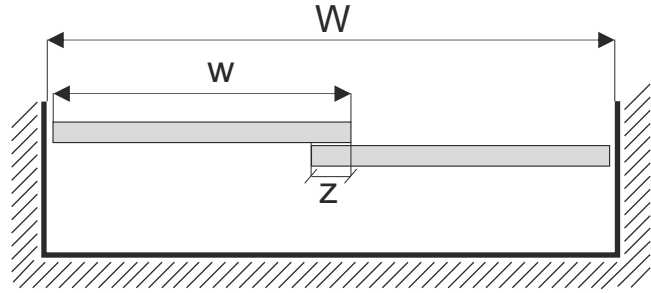
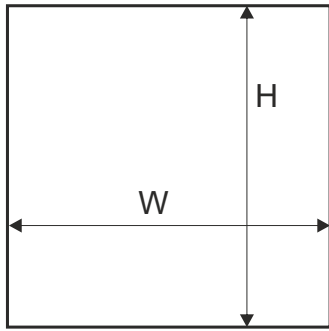
Carriage 20      Carriage 21      Plastic guide      Clipstopper      Screw set

x2      x2      x2

Ø4x40  
Ø4x16  
Ø4x16



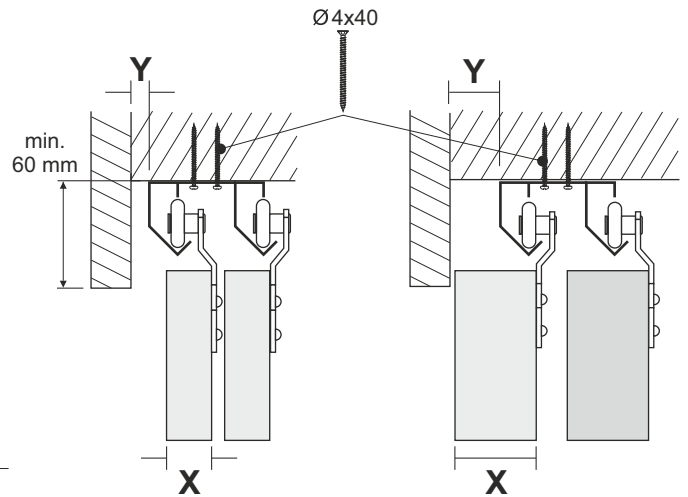
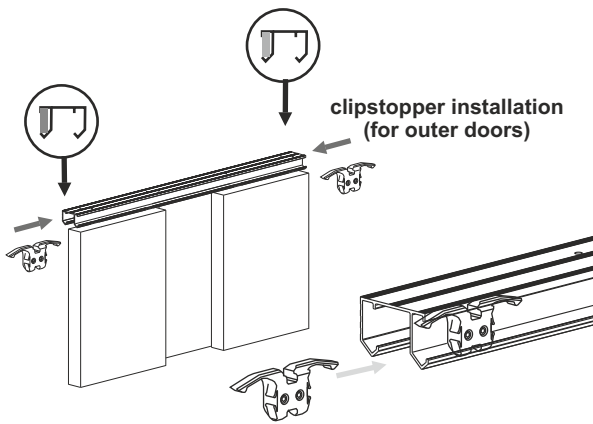
Dimensions of opening



|             |     |                         |
|-------------|-----|-------------------------|
| door height | - h | $h = H - 50 \text{ mm}$ |
| door width  | - w | $w = (W + Z) : N$       |

|                 |     |       |       |        |        |
|-----------------|-----|-------|-------|--------|--------|
| number of doors | - N | 2     | 3     | 4      | 5      |
| total overlap   | - Z | 40 mm | 80 mm | 120 mm | 160 mm |

| visual design – 4 wings |                        |
|-------------------------|------------------------|
|                         | $w = (W + 120) : 4$    |
|                         | $w = (W : 2 + 40) : 2$ |



|        |    |    |    |    |
|--------|----|----|----|----|
| X [mm] | 16 | 18 | 19 | 22 |
| Y [mm] | 0  | 1  | 1  | 4  |

|    |    |    |    |
|----|----|----|----|
| 25 | 28 | 32 | 40 |
| 15 | 18 | 22 | 30 |

