



LINE

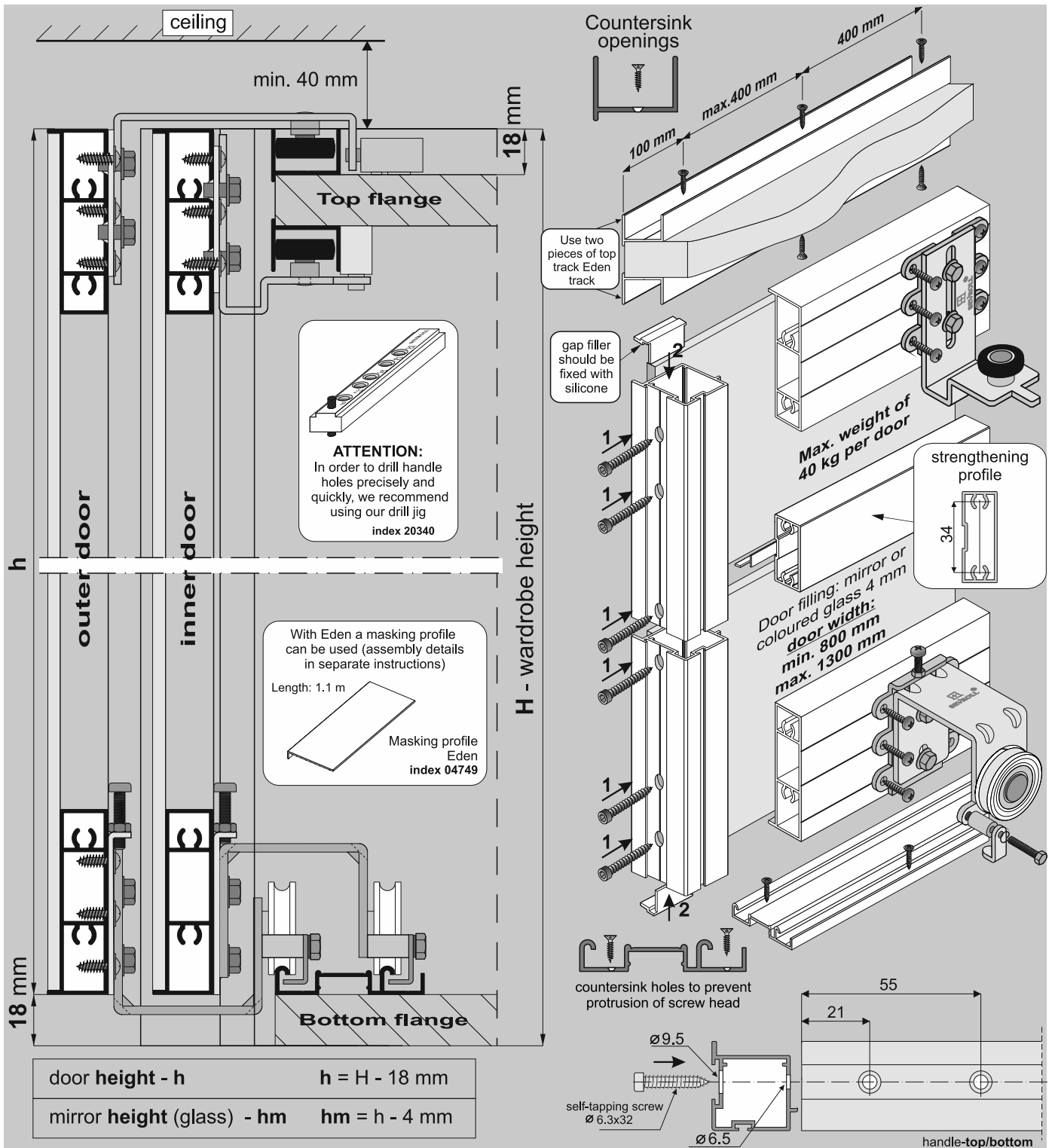
Pax

SYSTEM

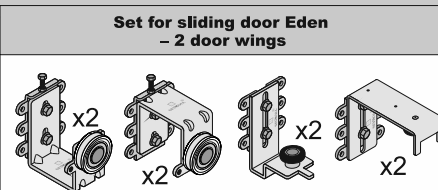
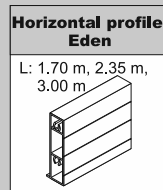
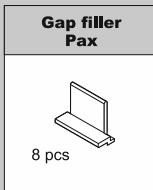
EDEN 4 – 2 door wings



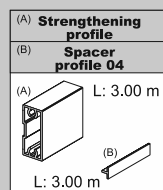
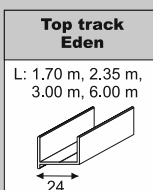
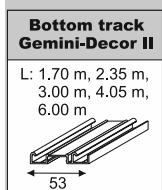
SEVROLL®



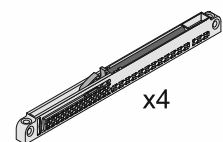
COMPONENTS



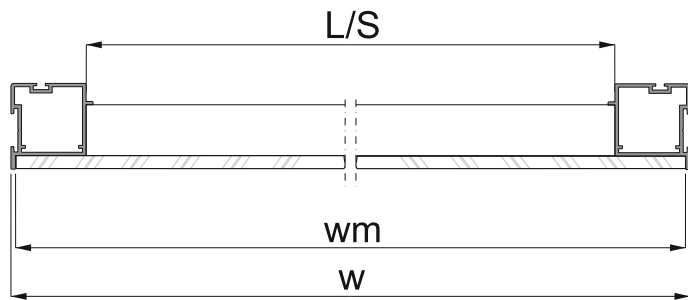
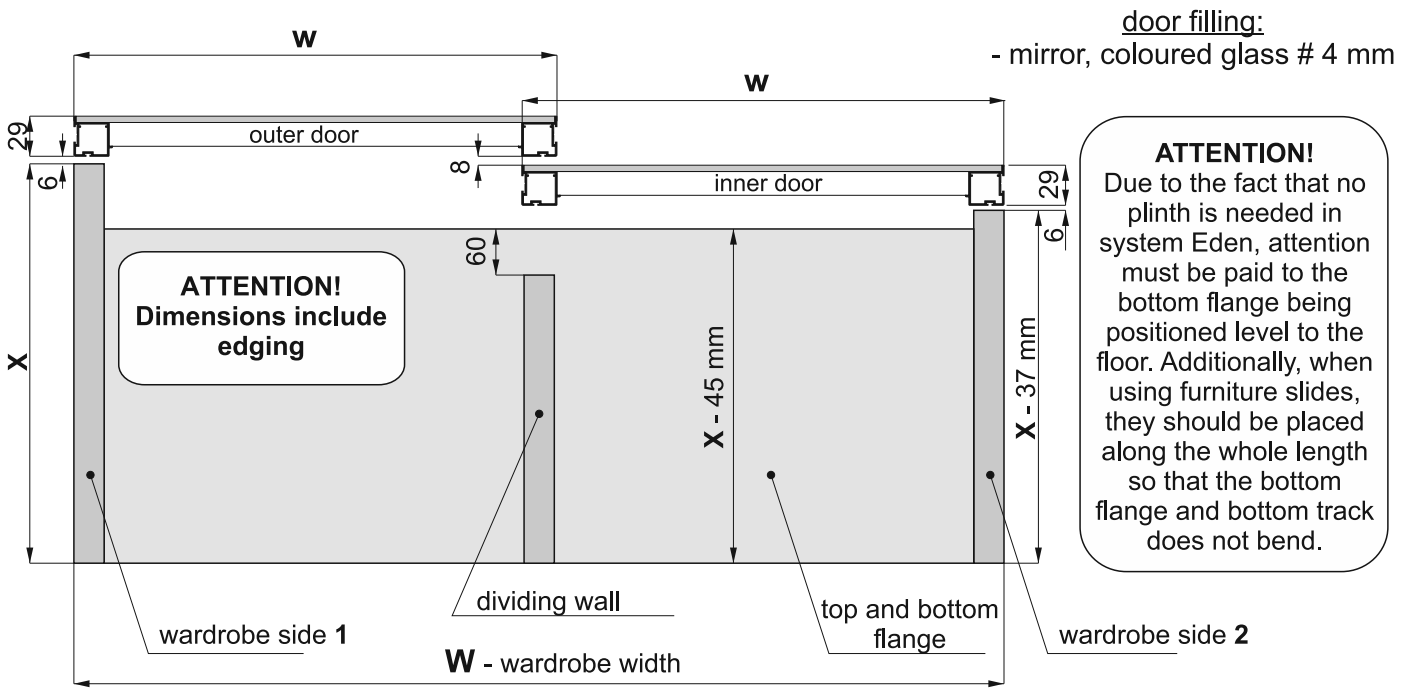
Soft-close
SV25 MINI (index: 20359-SV)
or
SV40 MINI (index: 20260-SV)



screw 3.5x20 x 4
screw M4x20 x 4
self-tapping screw 3.9x13 x 48
spring washer 4 x 4

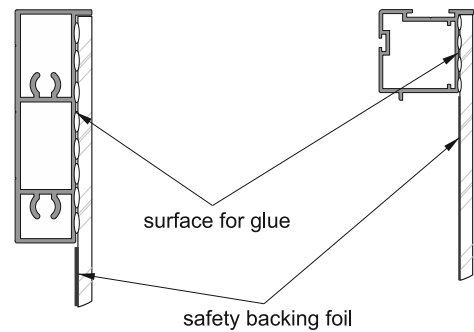


You must remember to purchase self-tapping screws to construct each door (min. 8 screws per door).

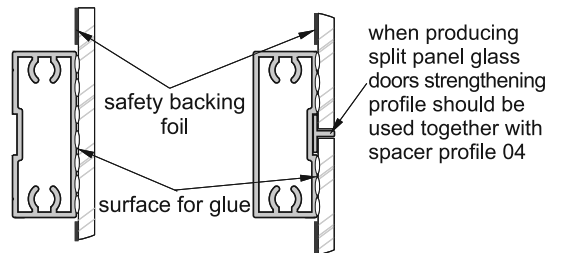


Installation method for fitting mirror or coloured glass 4 mm

- with horizontal profile
- with handle



- with strengthening profile

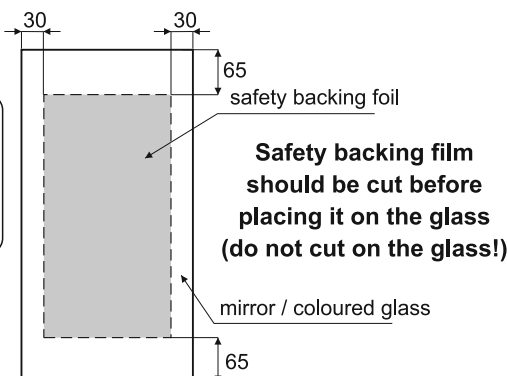


it is recommended that mirror / coloured glass is glued to aluminium profiles with specialist glass adhesive

Door width	$w = (W + 25 \text{ mm}) : 2$
Mirror width	$w_m = w - 4 \text{ mm}$
Horizontal profile Eden length - L	$L = S = w - 50 \text{ mm}$
Strengthening profile length - S	
Spacer profile 04 length	$S + 46 \text{ mm}$

ATTENTION!

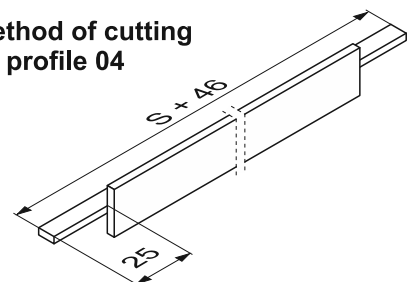
Rear mirror / coloured glass surface must be secured with safety backing foil (excluding glass surface glued with mirror adhesive). The edges of glass must be polished.

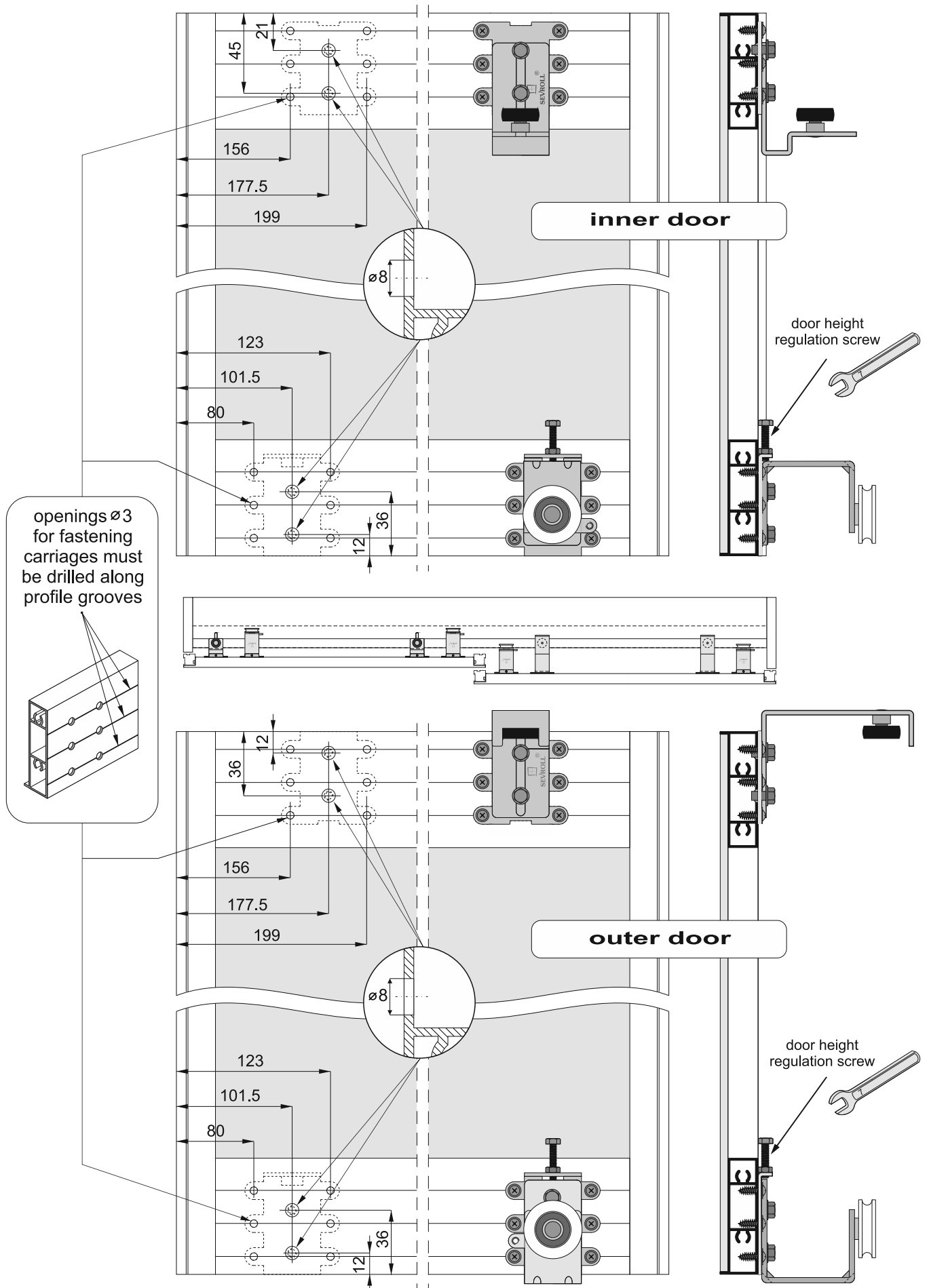


ATTENTION

In Eden system with doors taller than 2 m it is possible for the door wing to bow +/- 5 mm

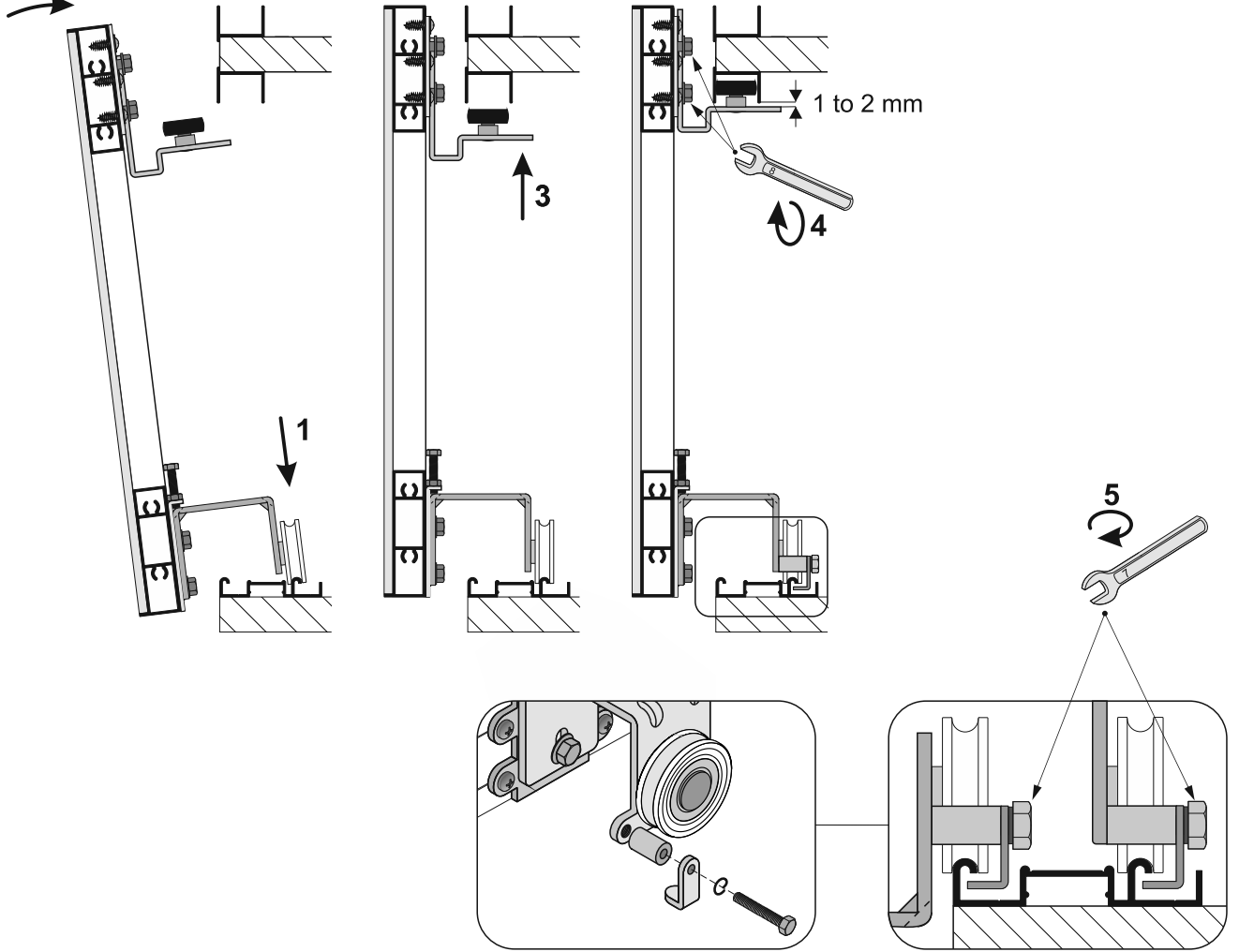
The method of cutting spacer profile 04





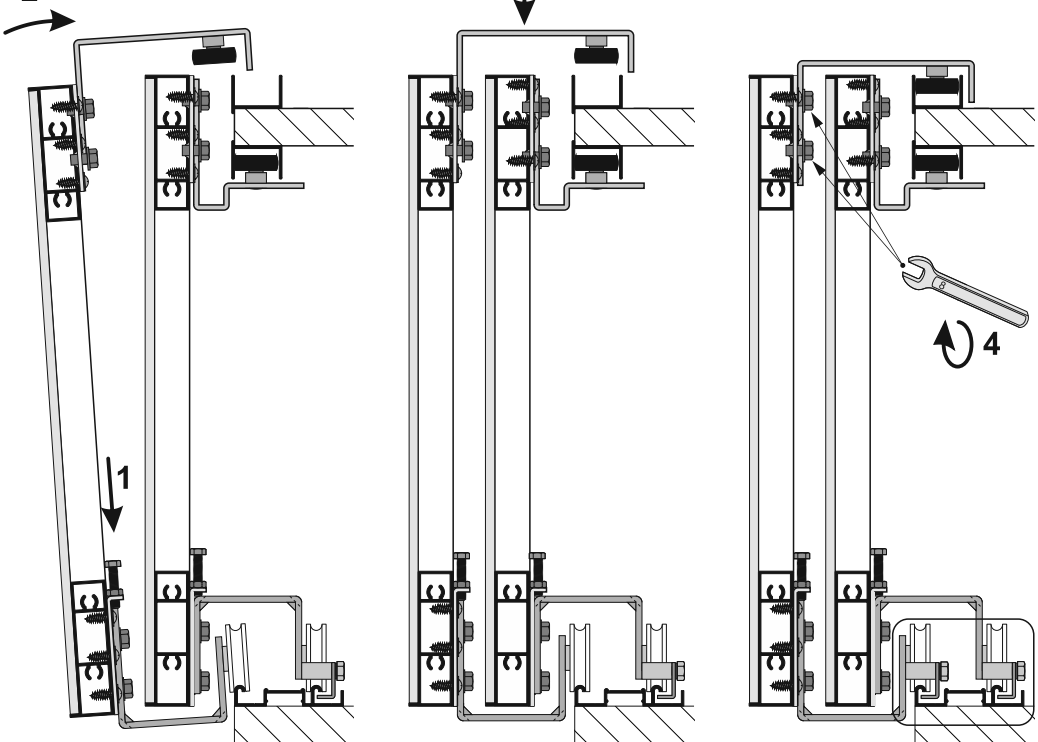


2 Inner door installation



securing catch
- fasten after door assembly

2 Outer door installation





Soft-close installation

