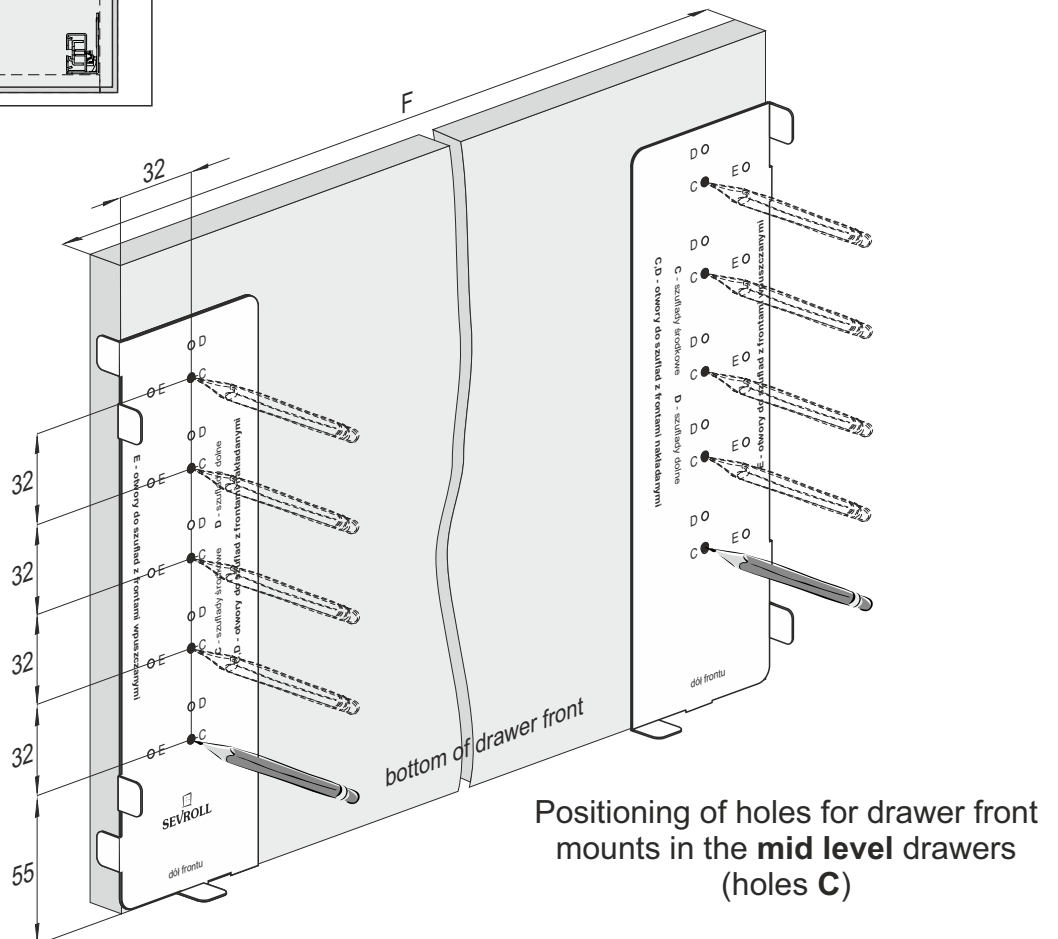
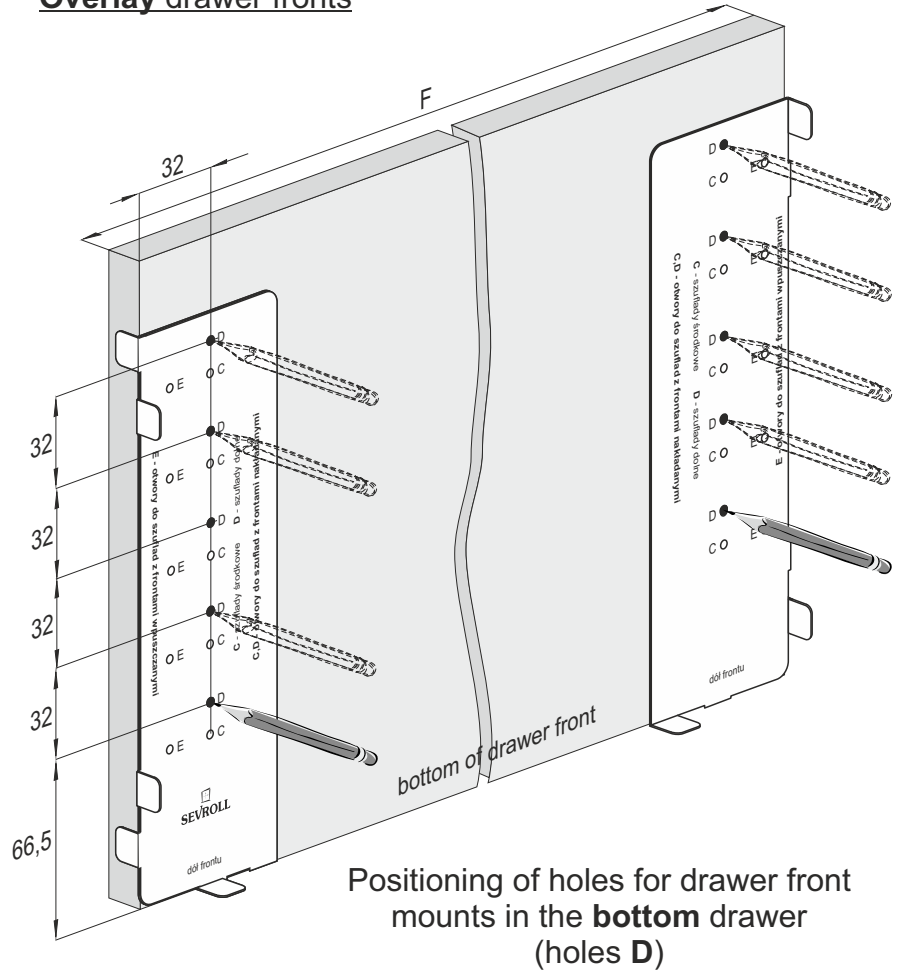
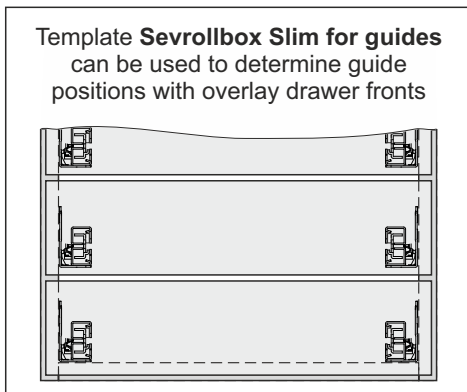
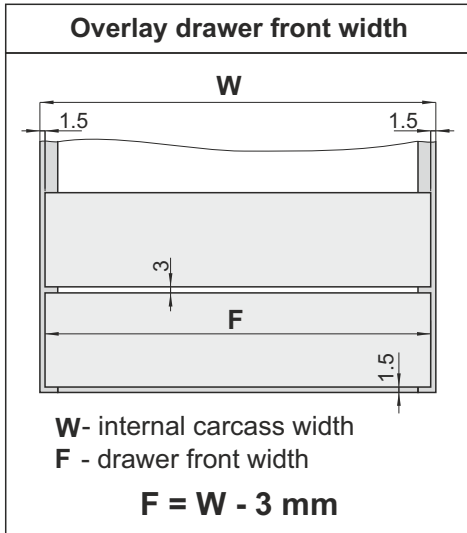
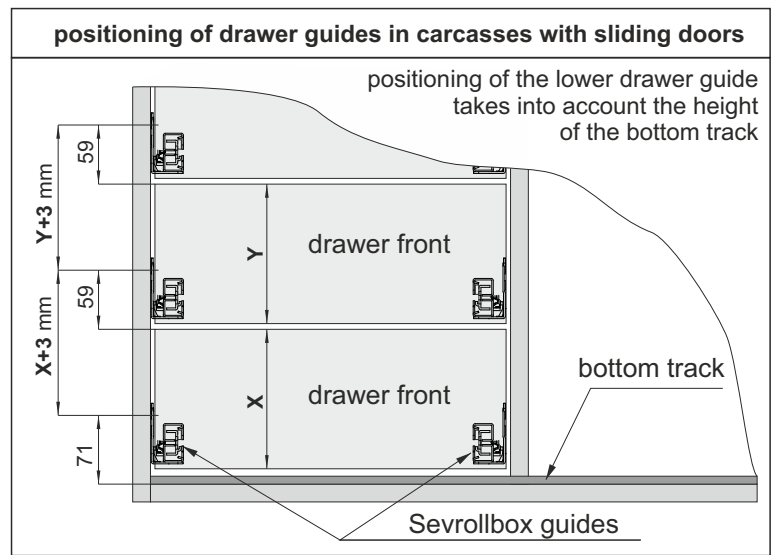
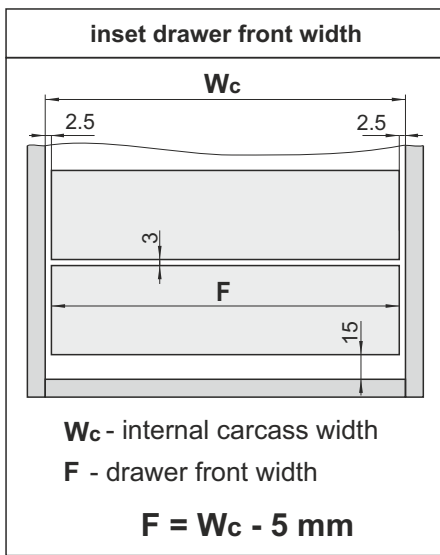


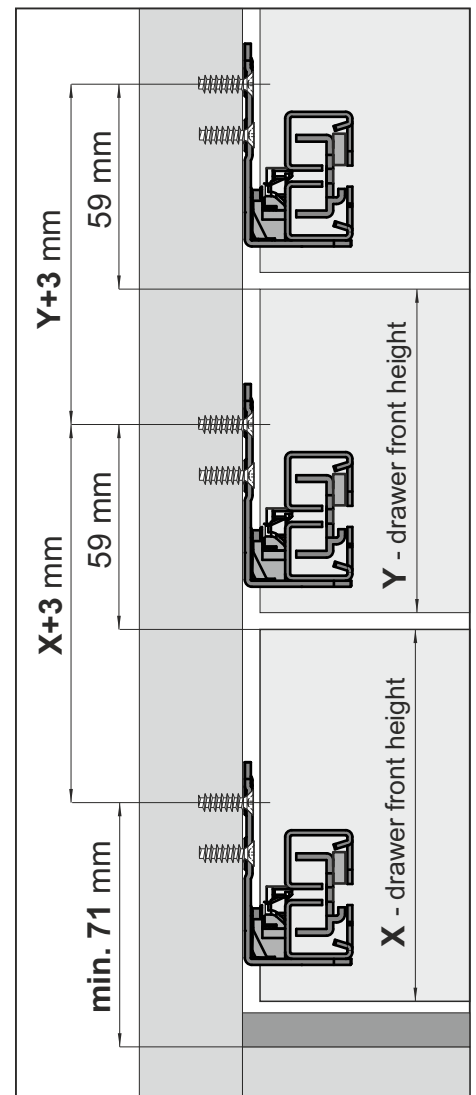
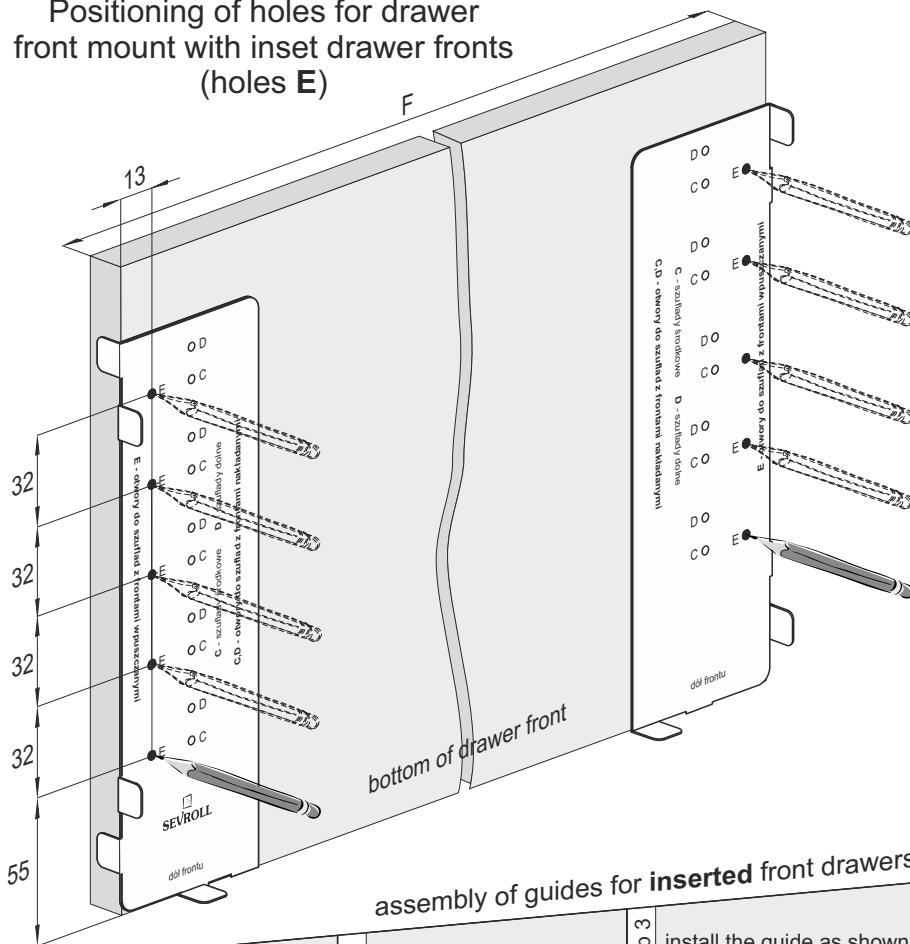
## Overlay drawer fronts



## Inset drawer fronts



## Positioning of holes for drawer front mount with inset drawer fronts (holes E)



## assembly of guides for inserted front drawers

<p><b>step 1</b> decide the height that the guide will be mounted</p>	<p><b>step 2</b> apply our template at the specified height and mark the holes</p>	<p><b>step 3</b> install the guide as shown in the drawing below</p>
---	--	--

### Important information

Sevroll offers the template **Sevrollbox Slim for guides** (index: **05337**) for determining the hole positioning for guides in Sevrollbox Slim drawers.

