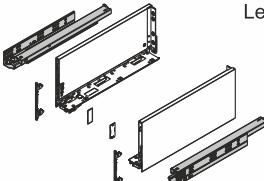
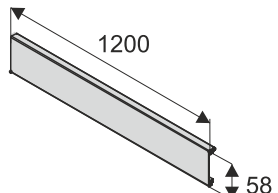
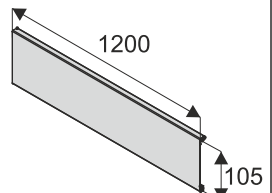
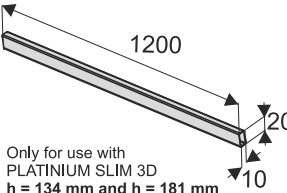
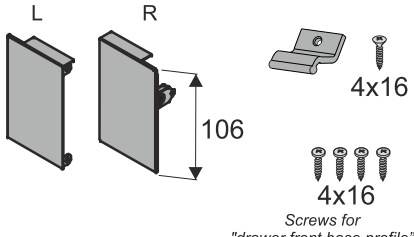
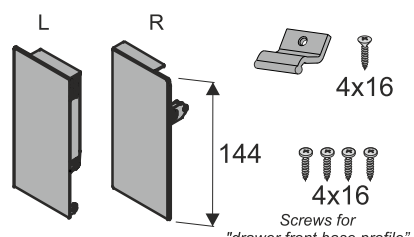
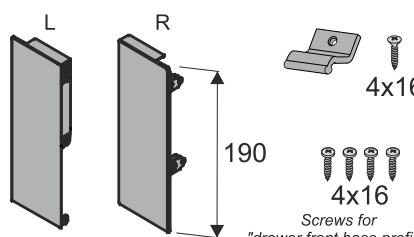


Drawer front Set for the internal drawer PLATINIUM SLIM 3D

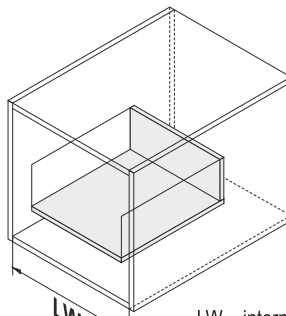
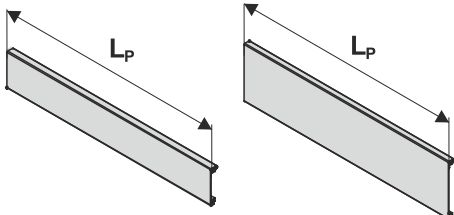
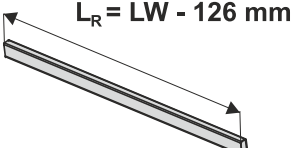
SEVROLL®

Components:

| | | | |
|--|---|--|--|
| Drawer PLATINIUM SLIM 3D oraz PLATINIUM SLIM 3D szklane boki h = 96 mm / h = 134 mm / h = 181 mm | Drawer front base profile for internal drawer PLATINIUM SLIM 3D for height: | | Universal drawer front railing for internal drawer PLATINIUM SLIM 3D |
| | Length: 250 [mm] 270 300 350 400 450 500 550 600 | h = 134 | |
|  |  |  |  <p>Only for use with PLATINIUM SLIM 3D h = 134 mm and h = 181 mm</p> |

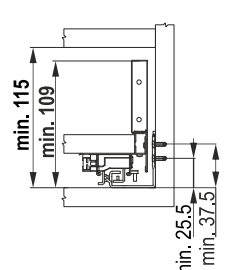
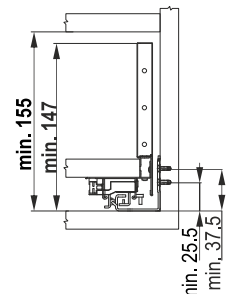
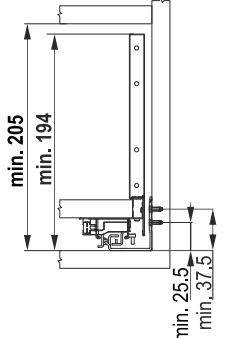
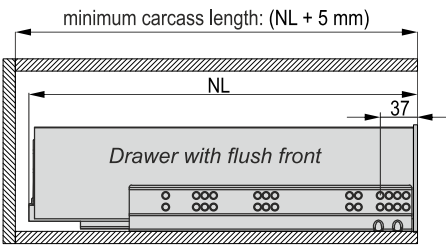
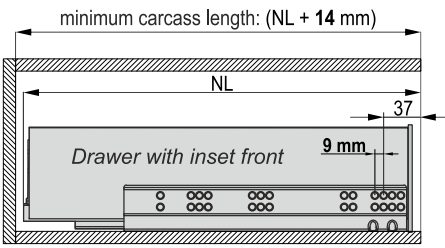
| | | |
|---|--|---|
| Set for internal drawer PLATINIUM SLIM 3D h = 96 mm | Set for internal drawer PLATINIUM SLIM 3D h = 134 mm | Set for internal drawer PLATINIUM SLIM 3D h = 181 mm |
|  |  |  |

Cutting dimensions of profiles

| | | |
|---|--|---|
|  <p>NL: 250 [mm] 270 300 350 400 450 500 550 600</p> <p>LW – internal width of carcass NL – nominal length of the drawer</p> | Drawer front base profile | Universal drawer front railing |
| |  <p>$L_p = LW - 137 \text{ mm}$</p> |  <p>$L_r = LW - 126 \text{ mm}$</p> |

Calculations for the back wall and base of the drawer can be found in the instructions PLATINIUM SLIM 3D

Mounting dimensions

| | | | | | |
|---|---|---|---|---------------------------------|---|
| PLATINIUM SLIM 3D h = 96 mm |  | PLATINIUM SLIM 3D h = 134 mm |  | PLATINIUM SLIM 3D h = 181 mm |  |
|  <p>minimum carcass length: (NL + 5 mm)</p> <p>Drawer with flush front</p> | |  <p>minimum carcass length: (NL + 14 mm)</p> <p>Drawer with inset front</p> | | | |
| The front of the drawer sits level with the carcass edges | | ATTENTION! To ensure that the drawers cover the high front applied, the slides should be taken back by 9 mm (one hole in the slide) into the carcass | | | |

Drawer front Set for the internal drawer PLATINIUM SLIM 3D

SEVROLL®

| The front of the internal drawer h = 96 | The front of the internal drawer h = 134 | The front of the internal drawer h = 181 |
|---|--|--|
| | | |

Installing the drawer front for PLATINIUM SLIM 3D h = 96 mm

| | | |
|-----------------|-----------------|-----------------|
| <p>1</p> | <p>2</p> | <p>3</p> |
|-----------------|-----------------|-----------------|

Installing the drawer front for PLATINIUM SLIM 3D h = 134 mm and h = 181 mm

| | | |
|-----------------|-----------------|-----------------|
| <p>1</p> | <p>2</p> | <p>3</p> |
|-----------------|-----------------|-----------------|

Montaż czola szuflady wewnętrznej do dna za pomocą zaczepu

| | |
|-----------------|-----------------|
| <p>4</p> | <p>5</p> |
|-----------------|-----------------|