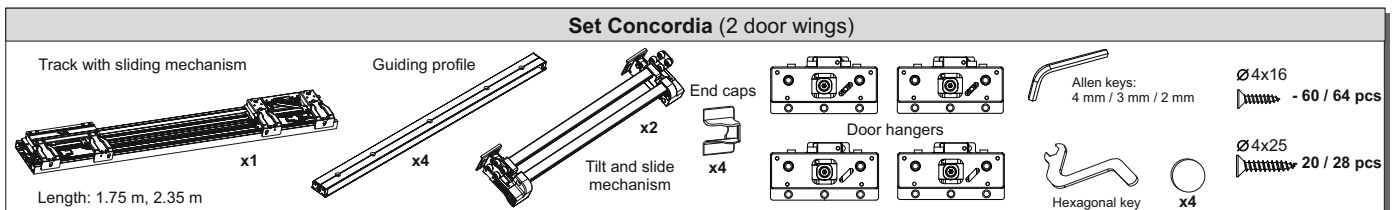


Track [mm]	Width range of opening W [mm]	Width range of door wing w [mm]	Door wing height h [mm]
1750	1150-1750	600-900	≤ 1000
2350	1750-2350	900-1200	≤ 1500

COMPONENTS

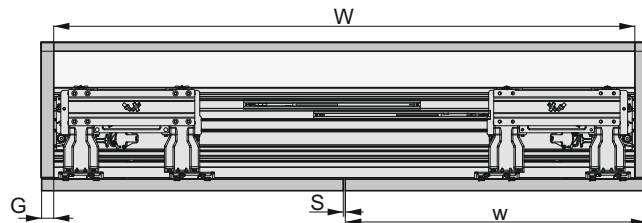
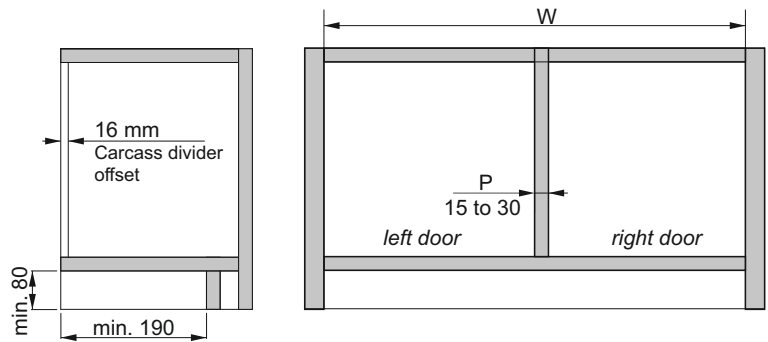
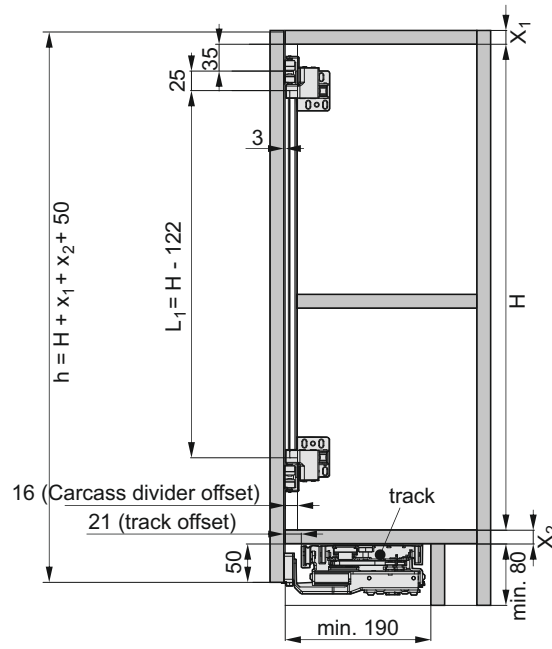
Set Concordia (2 door wings)





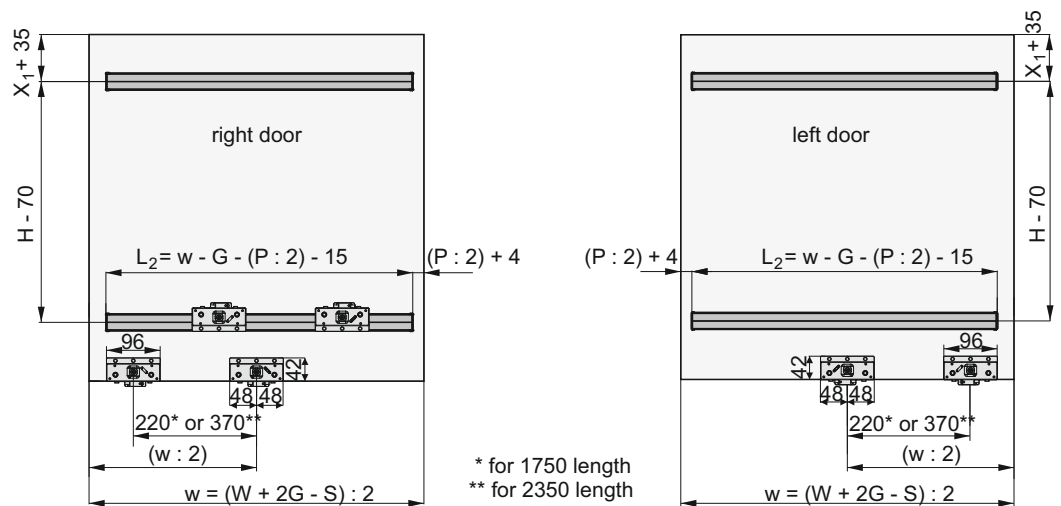
Bottom mounted track

Carcass dimensions



- H - height of opening
- h - door wing height
- x_1 - thickness of top flange
- x_2 - thickness of bottom flange
- L_1 - length of mechanism rod
- P - thickness of vertical divider (15 to 30 mm)
- W - width of internal carcass
- S - gap (3-5 mm)
- G - door overlay of carcass side (-3 to 25 mm)
- w - door width
- L_2 - length of guiding profile

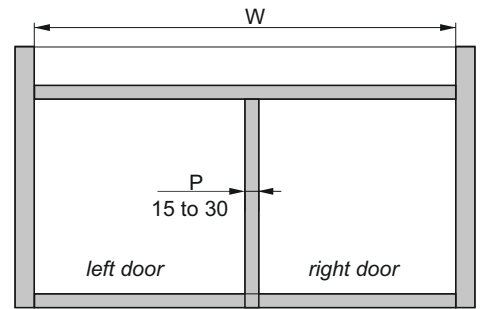
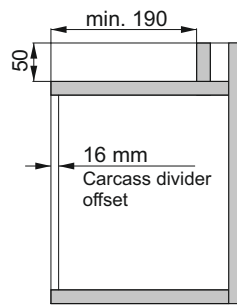
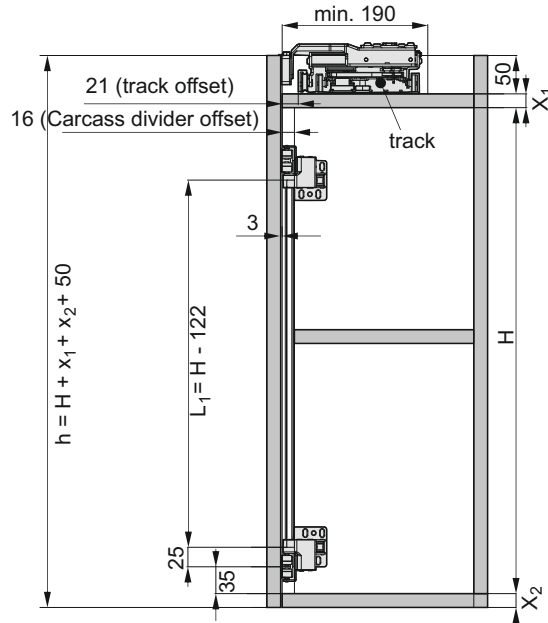
Door dimensions



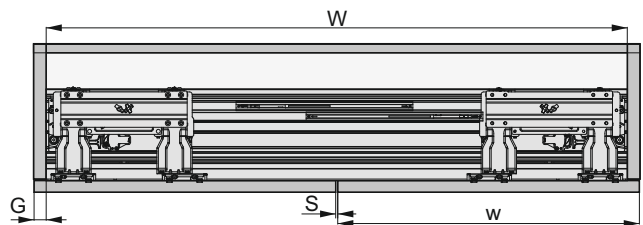


Top mounted track

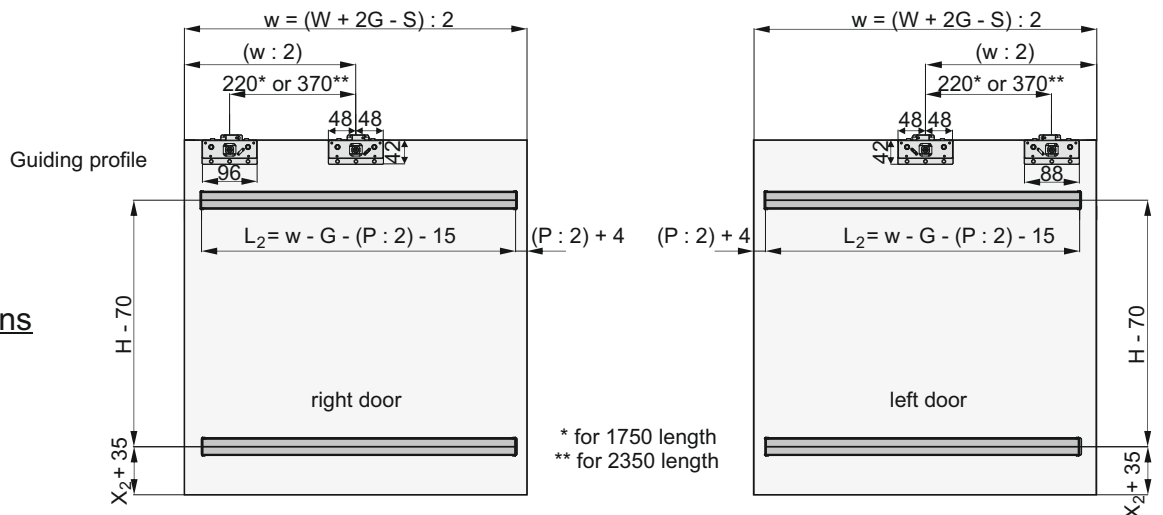
Carcass dimensions



- H - height of opening
- h - door wing height
- x_1 - thickness of top flange
- x_2 - thickness of bottom flange
- L_1 - length of mechanism rod
- P - thickness of vertical divider (15 to 30 mm)
- W - width of internal carcass
- S - gap (3-5 mm)
- G - door overlay of carcass side (-3 to 25 mm)
- w - door width
- L_2 - length of guiding profile



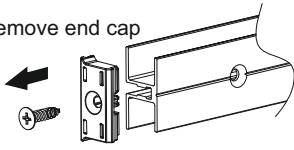
Door dimensions



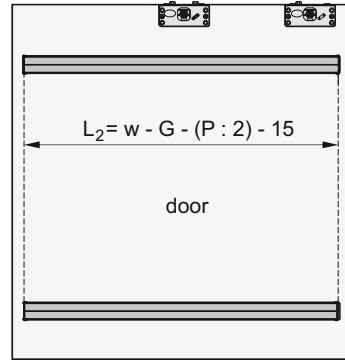
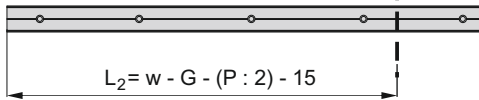


Trimming of guiding profile

remove end cap

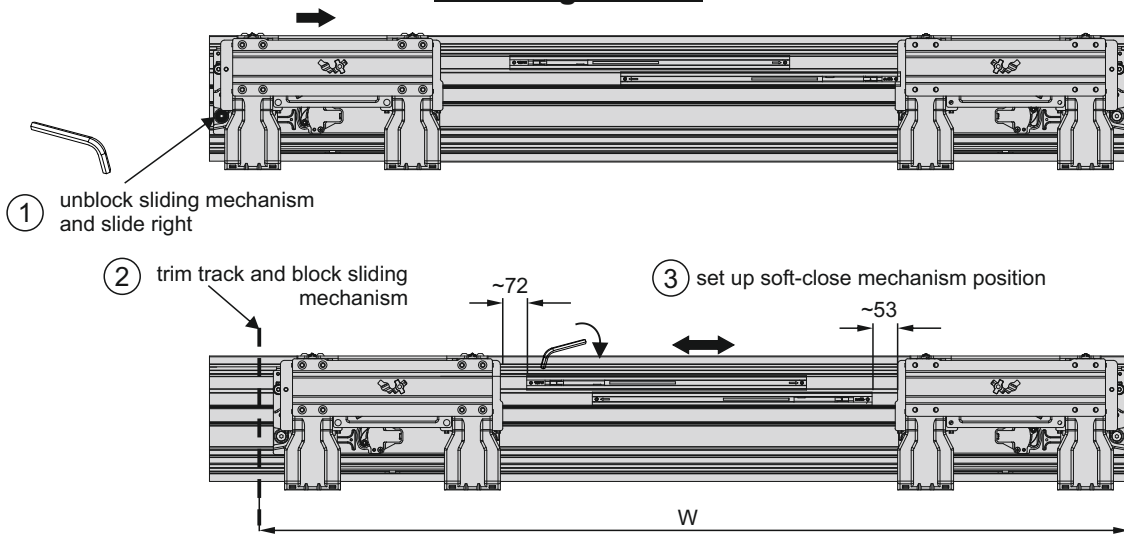


trim the profile



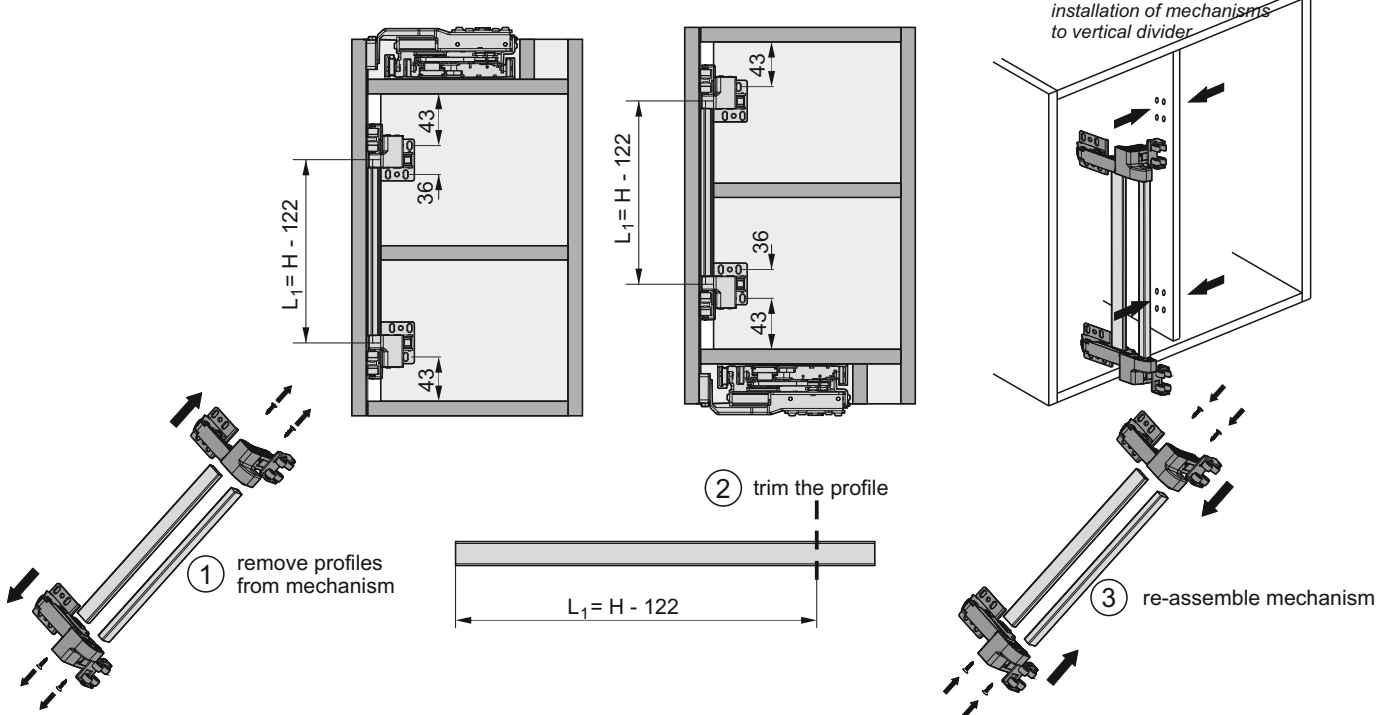
mount profiles on door wings

Trimming of track



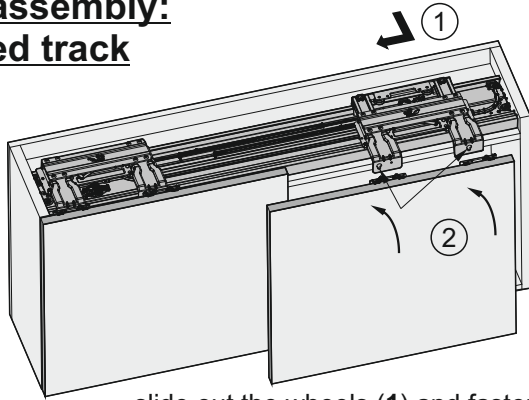
Attention! When trimming track, pay attention the trimmings do not enter the sliding mechanism

Trimming of profiles in tilt and slide mechanism

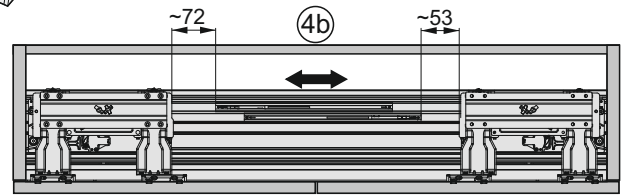
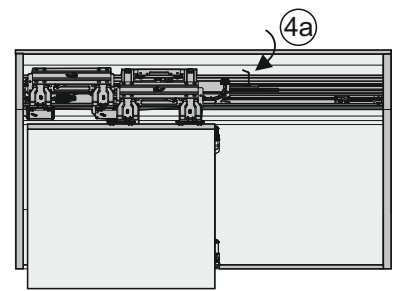
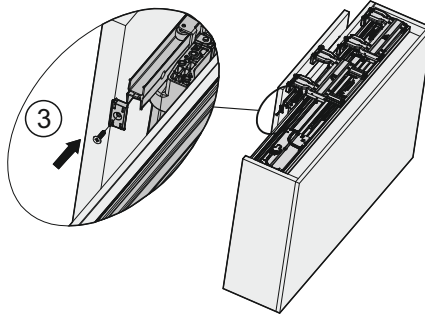
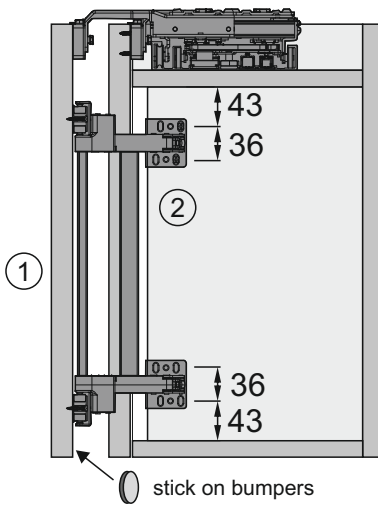
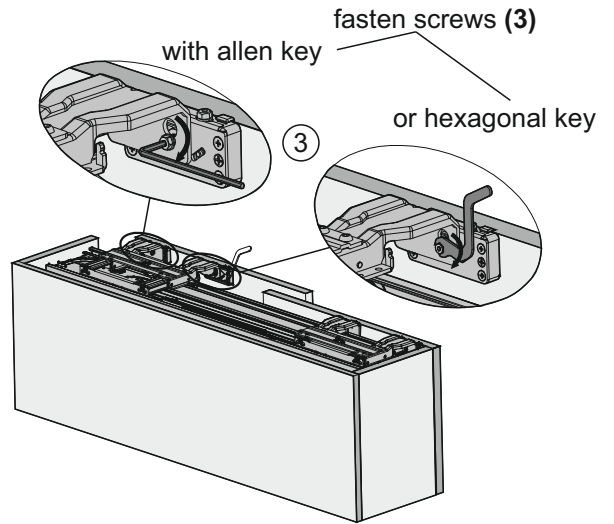




**Wardrobe assembly:
top mounted track**



slide out the wheels (1) and fasten the hangers into the wheel openings on the sliding mechanism (2)

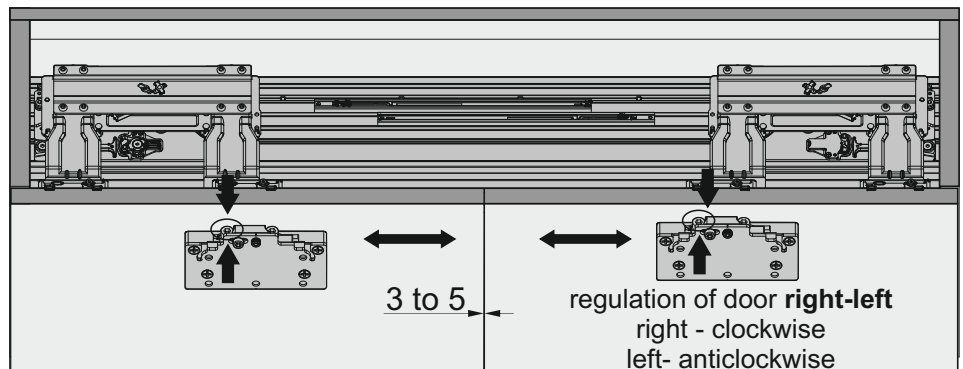
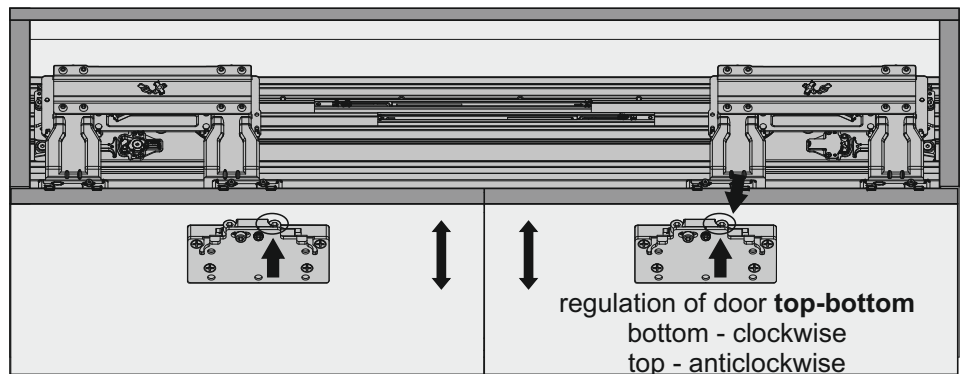
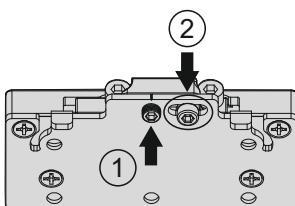


Open the door and slide the tilt and slide mechanism wheels into guiding profiles (1). Establish the hinge position, screw on (position so that the wheels travel smoothly in the profile) and fasten (2). Screw end caps into the guiding profiles (3). With doors open, decide the position of soft-close mechanism (4).

Door position regulation

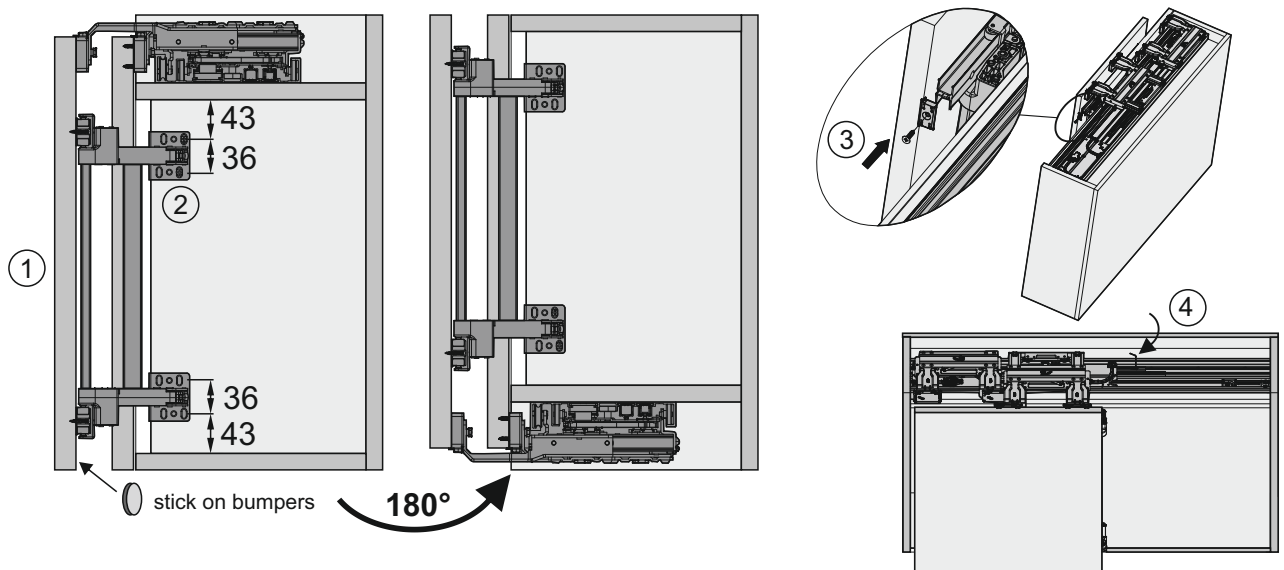
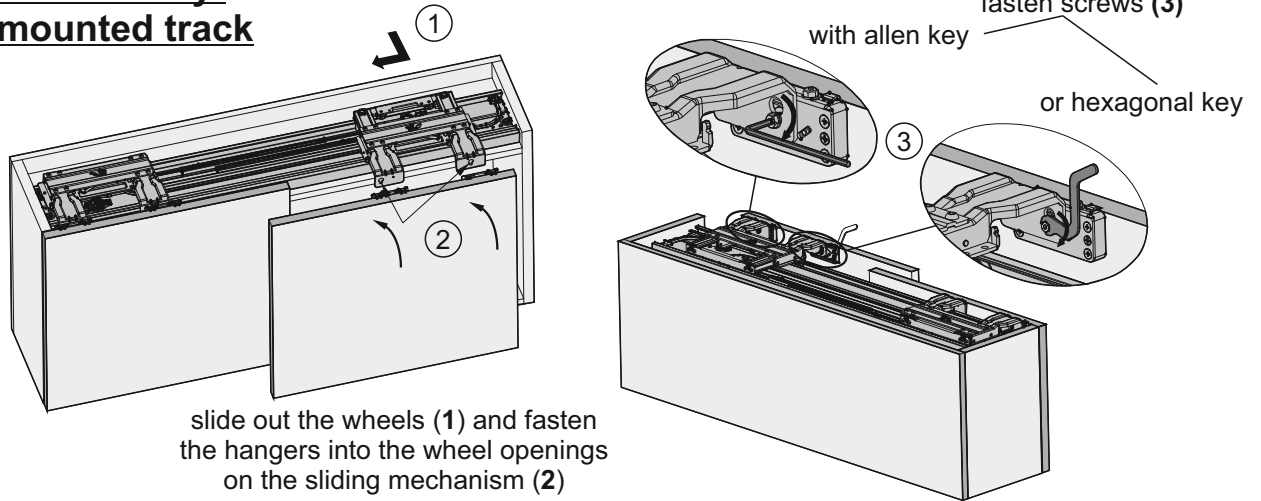
regulation of door tilting angle:

- (1) - fasten screw to decrease the angle
- (2) - unblock/block screw





**Wardrobe assembly:
bottom mounted track**



Open the door and slide the tilt and slide mechanism wheels into guiding profiles (1). Establish the hinge position, screw on (position so that the wheels travel smoothly in the profile) and fasten (2). Screw end caps into the guiding profiles (3). With doors open, decide the position of soft-close mechanism (4). Rotate the wardrobe by 180 degrees (5).

Door position regulation

