

COMPONENTS

Track Herkules 2

L: 1.20 m, 1.50 m, 1.80 m, 2.00 m, 2.40 m, 3.00 m, 4.00 m, 6.00 m

33

Set Herkules Glass - 1 door

Carriage x2

Wall bracket x5

Clipstopper

Stopper

Gasket spacers for glass thickness 8, 10 and 12 mm

Clamp for glass x2

Handle adhesive

Universal guide

$\varnothing 4 \times 16/4 \text{ pcs}$

$\varnothing 4 \times 30/10 \text{ pcs}$

$\varnothing 8 \times 32/10 \text{ pcs}$

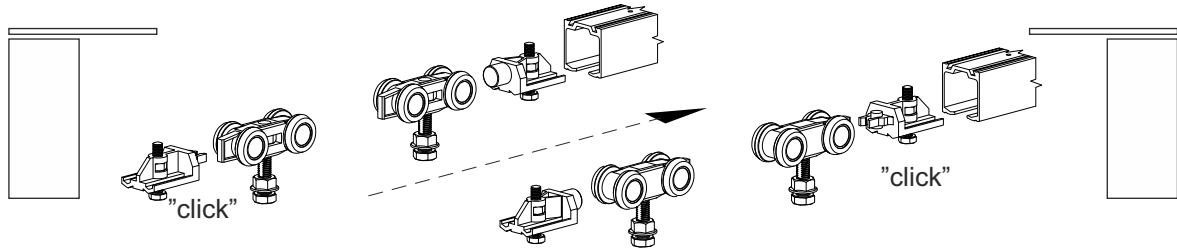
OPTIONS

Masking fascia Herkules 2 Glass

L: 2.01 m, 4.02 m

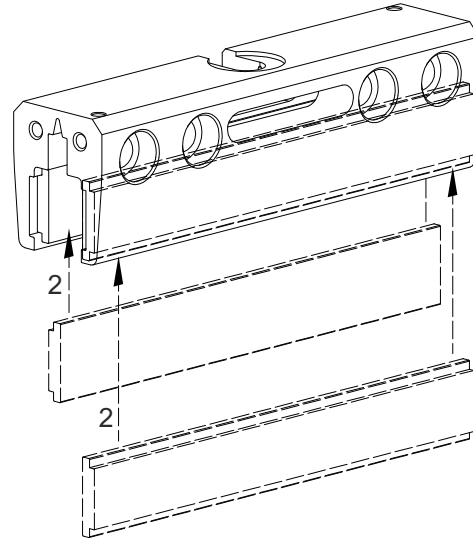
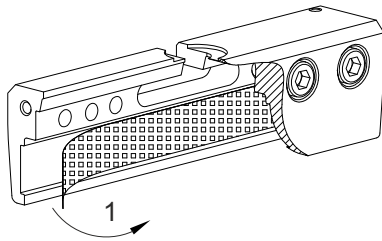
brush 4.8 x 9 mm

Masking fascia end cap



Mounting gasket spacers in clamp

Depending on the thickness of glass (8, 10 or 12 mm) use gaskets 8, 10 or 12 mm.

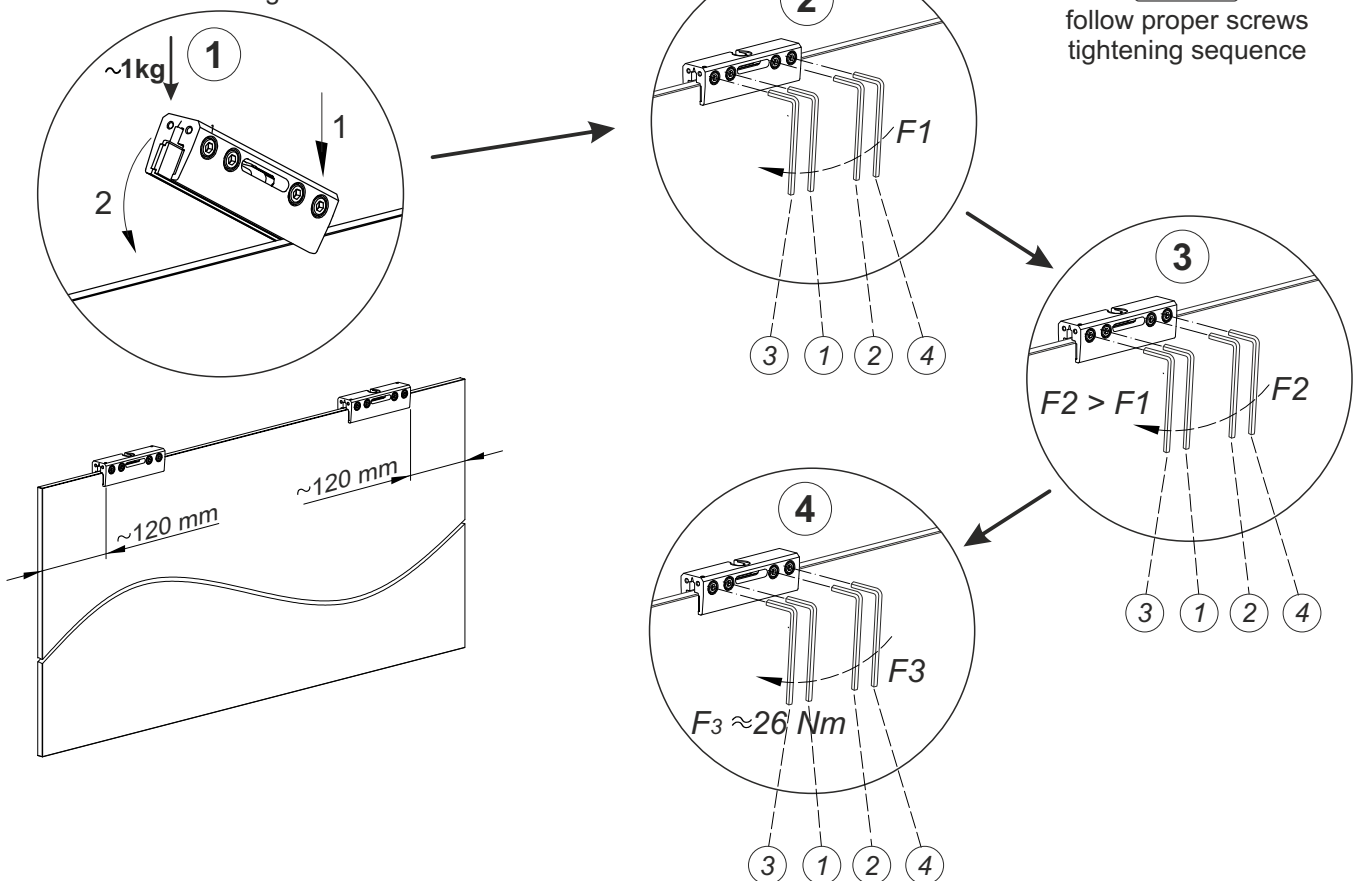


Installation of clamps on the glass

Prior to catch installation, grease must be removed from glass surface

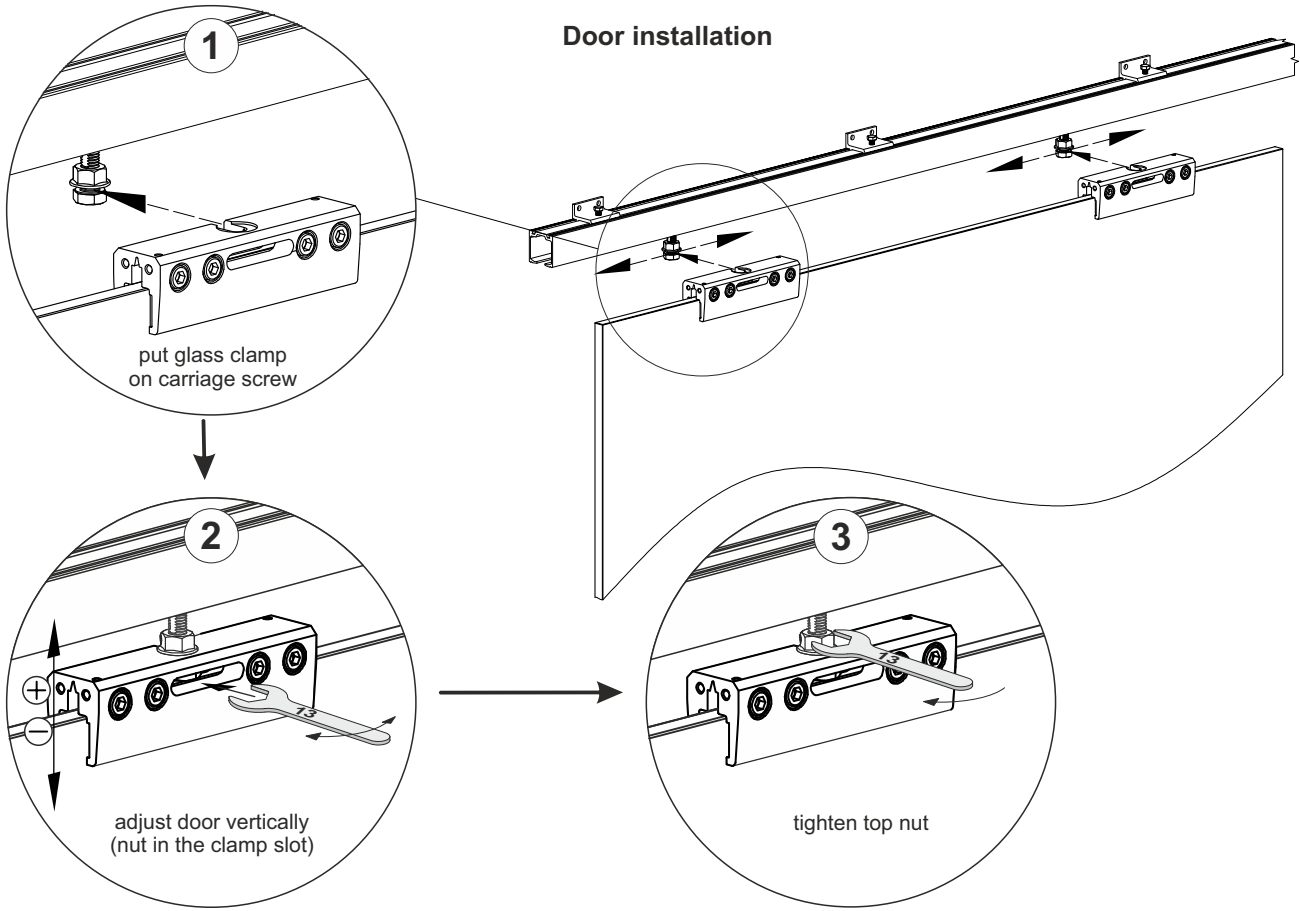


follow proper screws tightening sequence

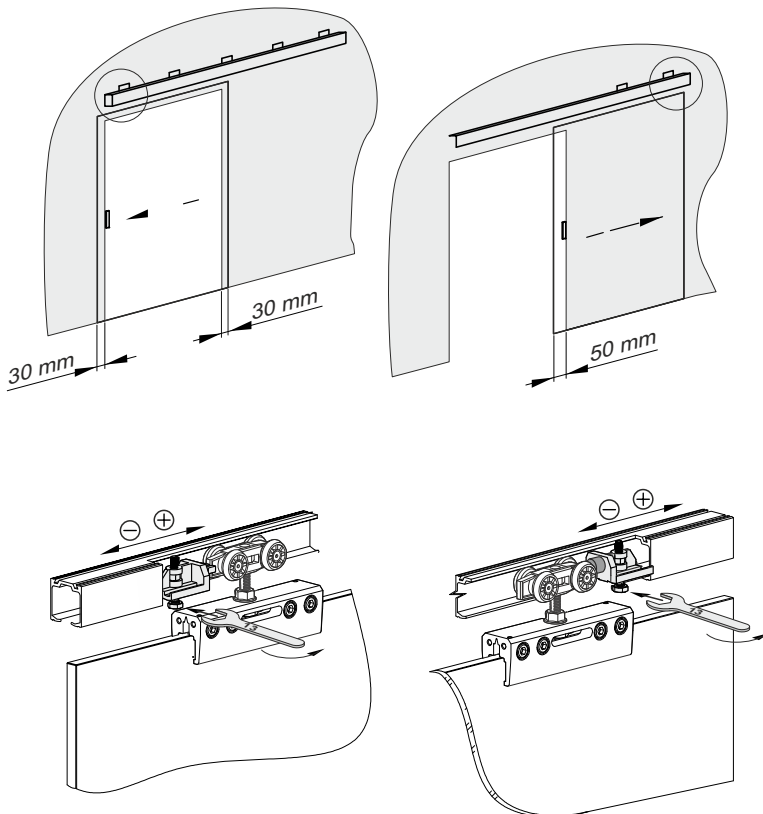




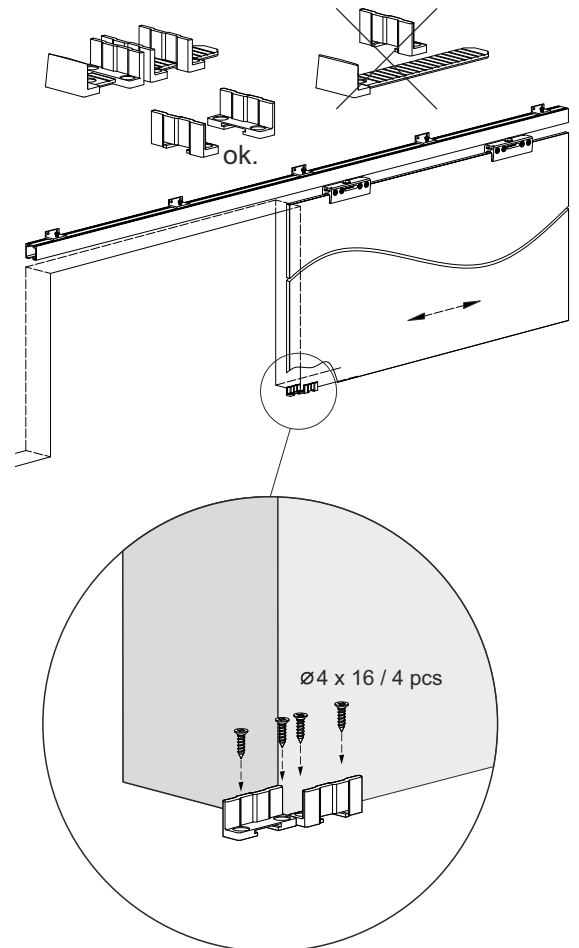
Door installation



Horizontal door adjustment

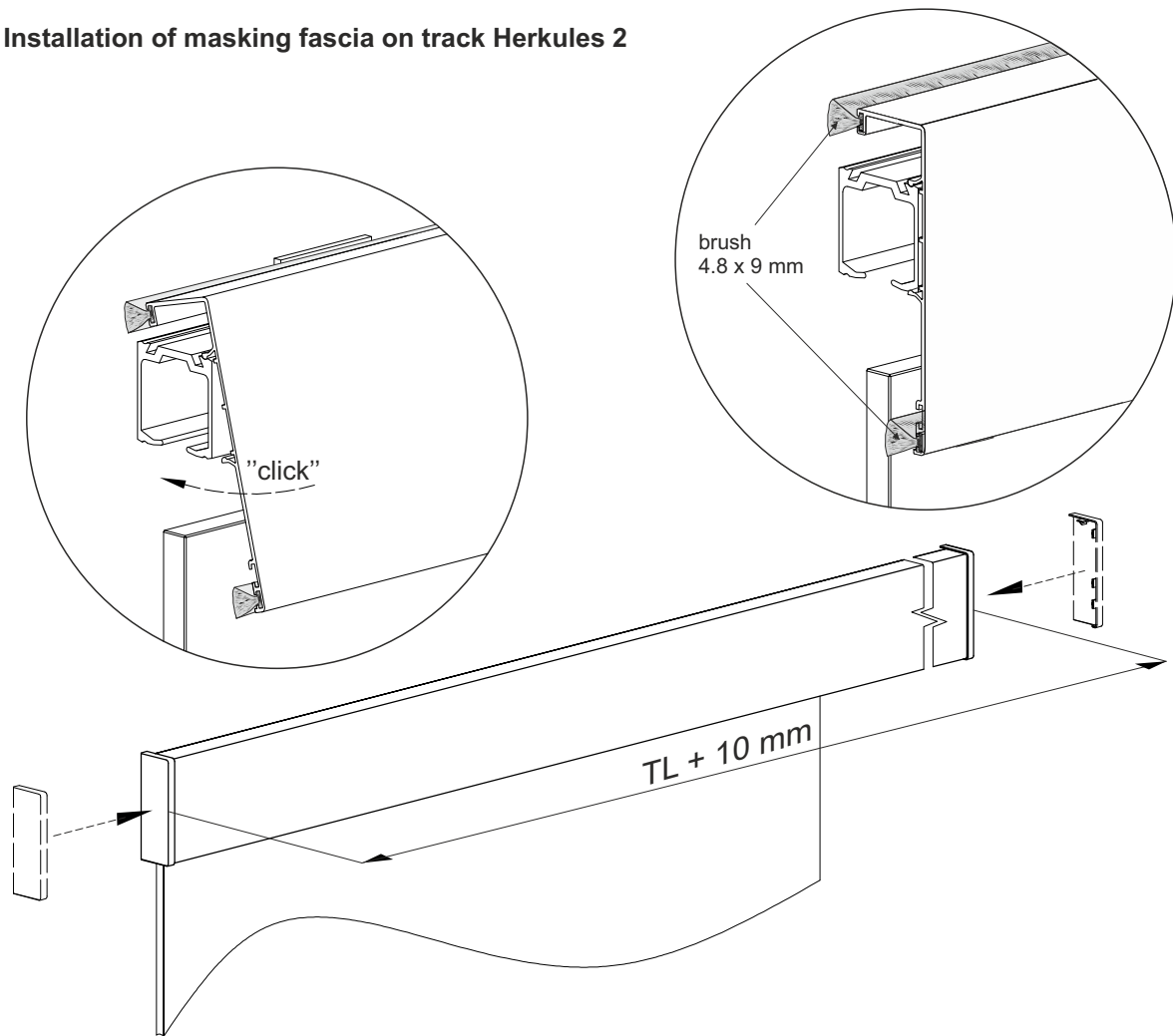


Guide installation





Installation of masking fascia on track Herkules 2



Glass clamp dismantling

