



SOFT-CLOSE

Sevromatic TOP SV-60, SV-80



Assembly of soft-close mechanism with systems: GEMINI 10, COMFORT 10, MAXIM 18, SINGLE 10, TOP 10, TOP 18

GEMINI 4, GEMINI 10, COMFORT 10,
SINGLE 10, TOP 10

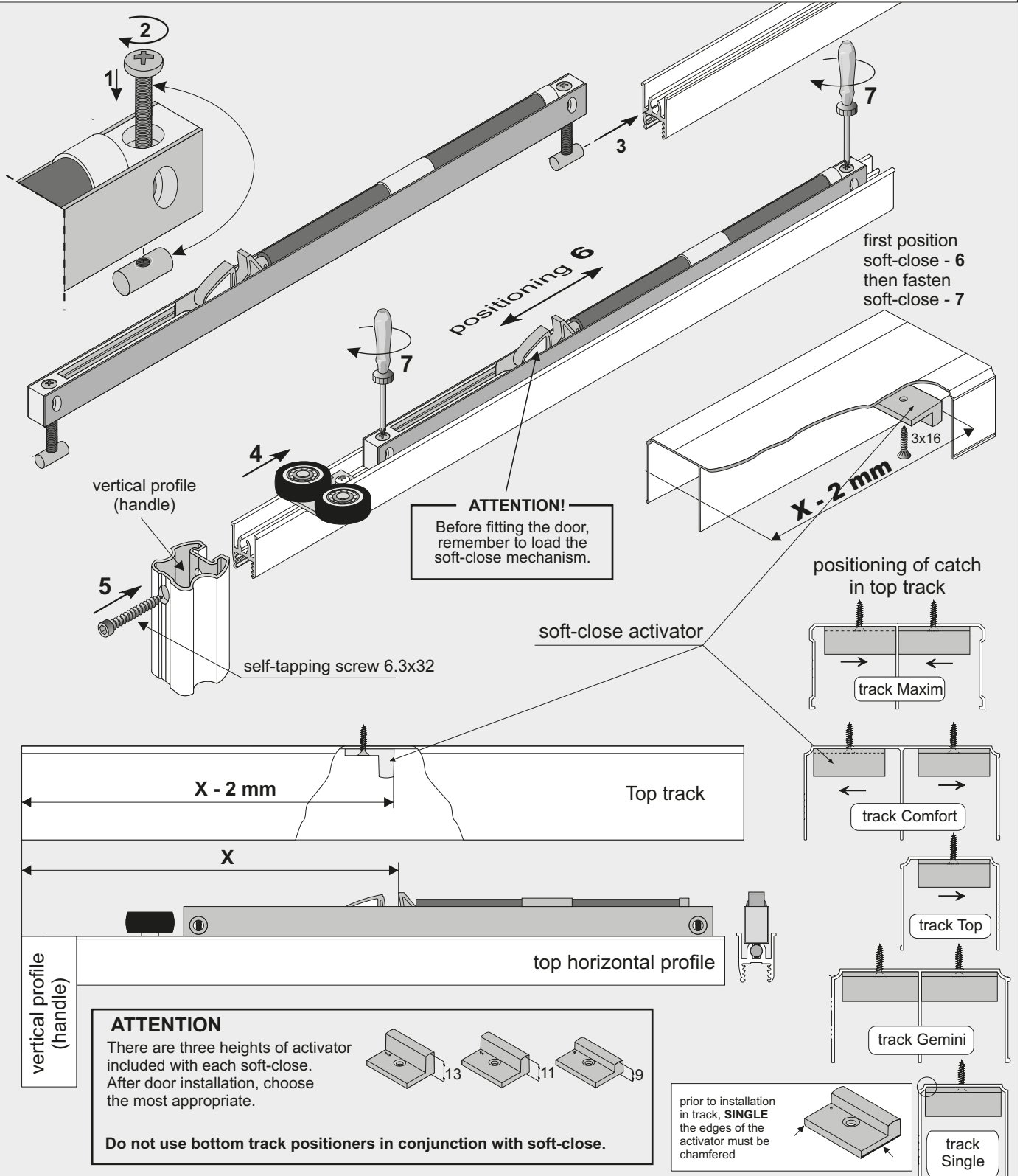
door height

$$h = H - 44 \text{ mm}$$

MAXIM 18, TOP 18

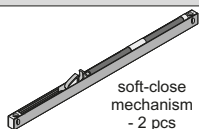
door height

$$h = H - 40 \text{ mm}$$

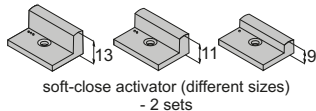


COMPONENTS

Soft-close set for sliding doors Sevromatic TOP SV-60 (40 to 60 kg) and TOP SV-80 (50 to 80 kg)

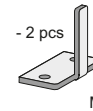


soft-close mechanism
- 2 pcs



soft-close activator (different sizes)
- 2 sets

- fastening pin - 4 pcs
- screw M 3x20 - 4 pcs
- screw 3x16 - 2 pcs



catch 18
MINI/TOP

- 2 pcs
- screw 3.5x25 - 8 pcs



SOFT-CLOSE

Sevromatic TOP SV-60, SV-80



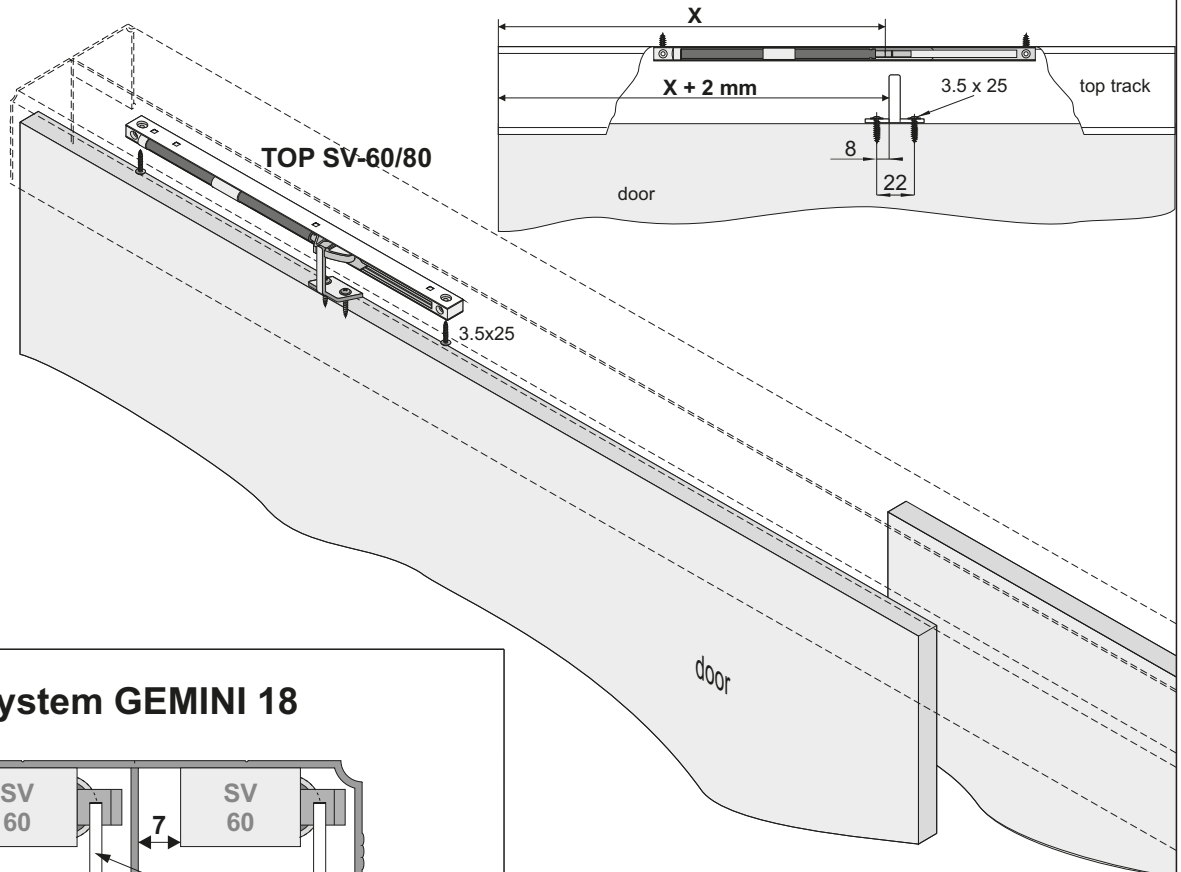
Assembly of soft-close mechanism with systems: GEMINI 18, COMORT 18, MAXIM 18 Board

GEMINI 18, COMFORT 18

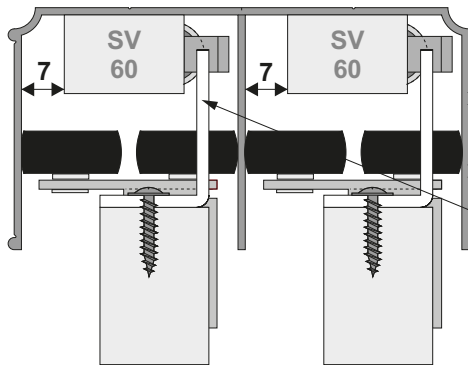
door height

$$h = H - 44 \text{ mm}$$

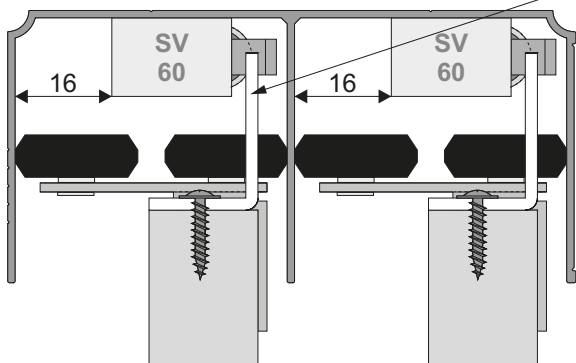
MAXIM 18 Board



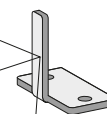
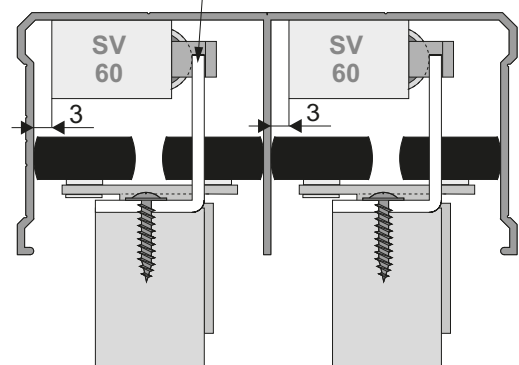
System GEMINI 18



System COMFORT 18



System MAXIM 18 BOARD



soft-close
activator