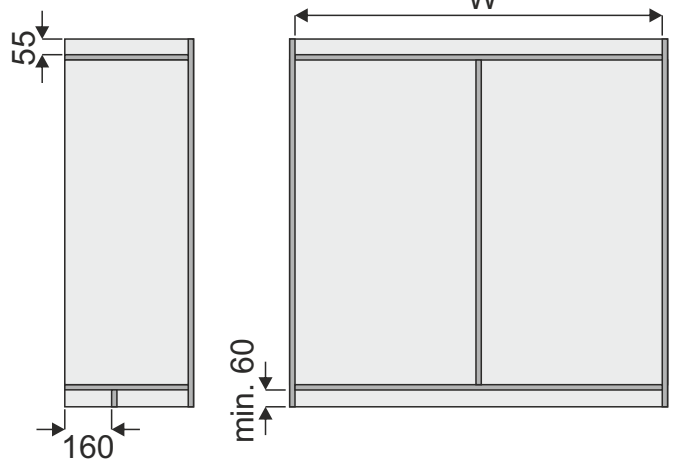


**Max. weight  
of 60 kg  
per door**

width of wardrobe interior - <b>W</b>	1.8 m; 2.0 m; 2.2 m; 2.5 m; 2.7 m; 2.9 m
thickness of wardrobe side - <b>T</b>	T = 18 to 45 mm
gap - <b>G<sub>1</sub></b>	G <sub>1</sub> = 3 to 5 mm
gap - <b>G<sub>2</sub></b>	G <sub>2</sub> = 0 to 2 mm
door wing width - <b>w</b>	$w = (W + 2 \times T - 2 \times G_2 - G_1) : 2$
door wing height - <b>h</b>	$h = H + 80$
maximum door thickness (with handle)	<b>max 46 mm (outer door hanger)</b>

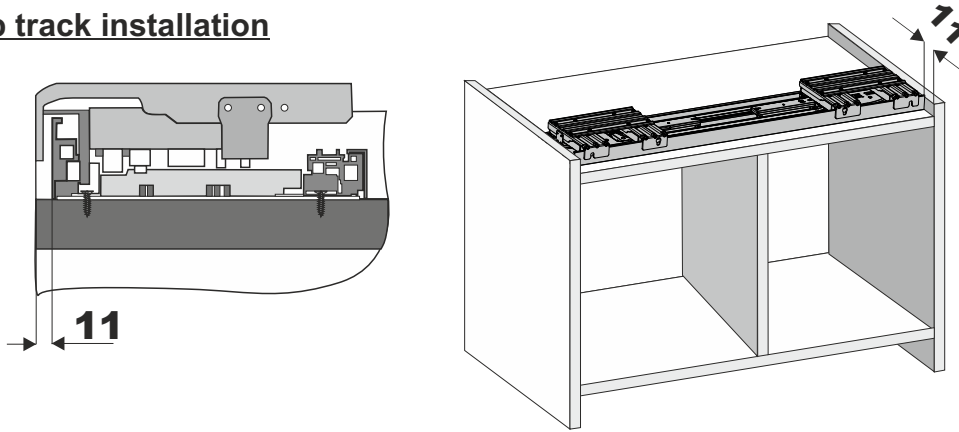


### COMPONENTS

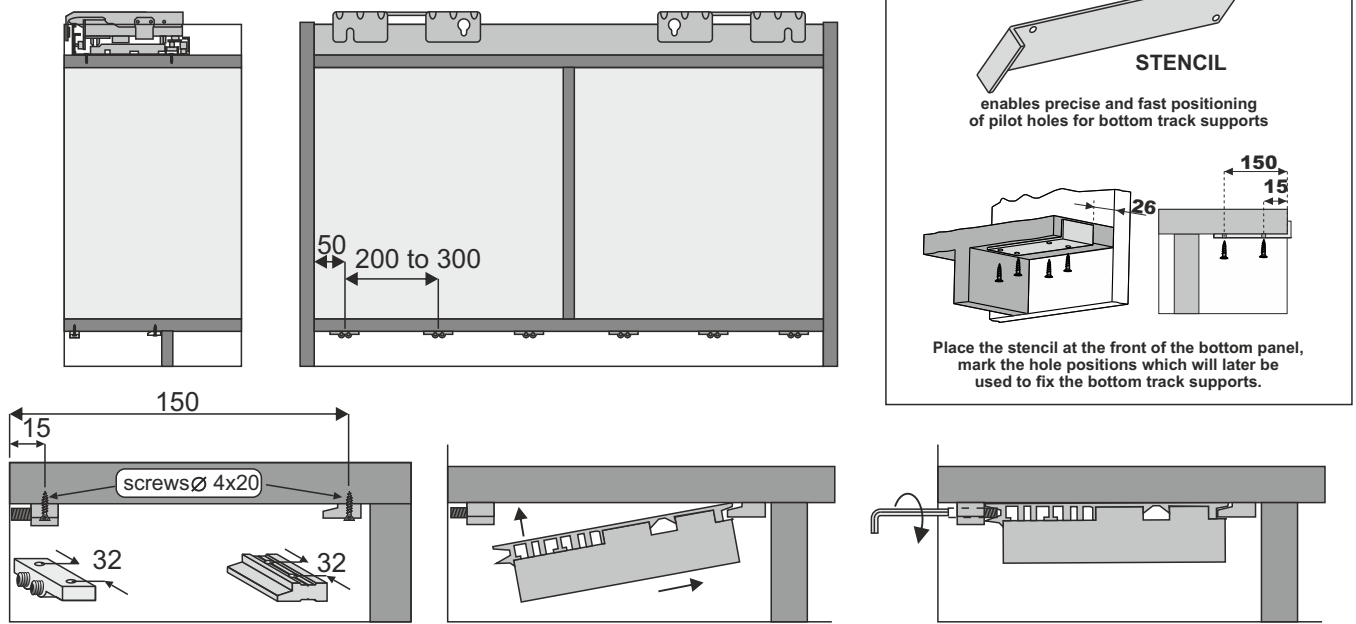
HARMONY set (2 doors)						
Top track / bottom track <b>HARMONY</b> x1	Bottom guides x2	Door mounting plate x2	Bottom track supports x8	Bottom support x2	Allen key 4 mm	Ø4x16 - 60 pcs
x1	x1	x2	x8	Stencil 	Allen key 2.5 mm	Ø4x20 - 32 pcs
	x1			Flat hex spanner 		



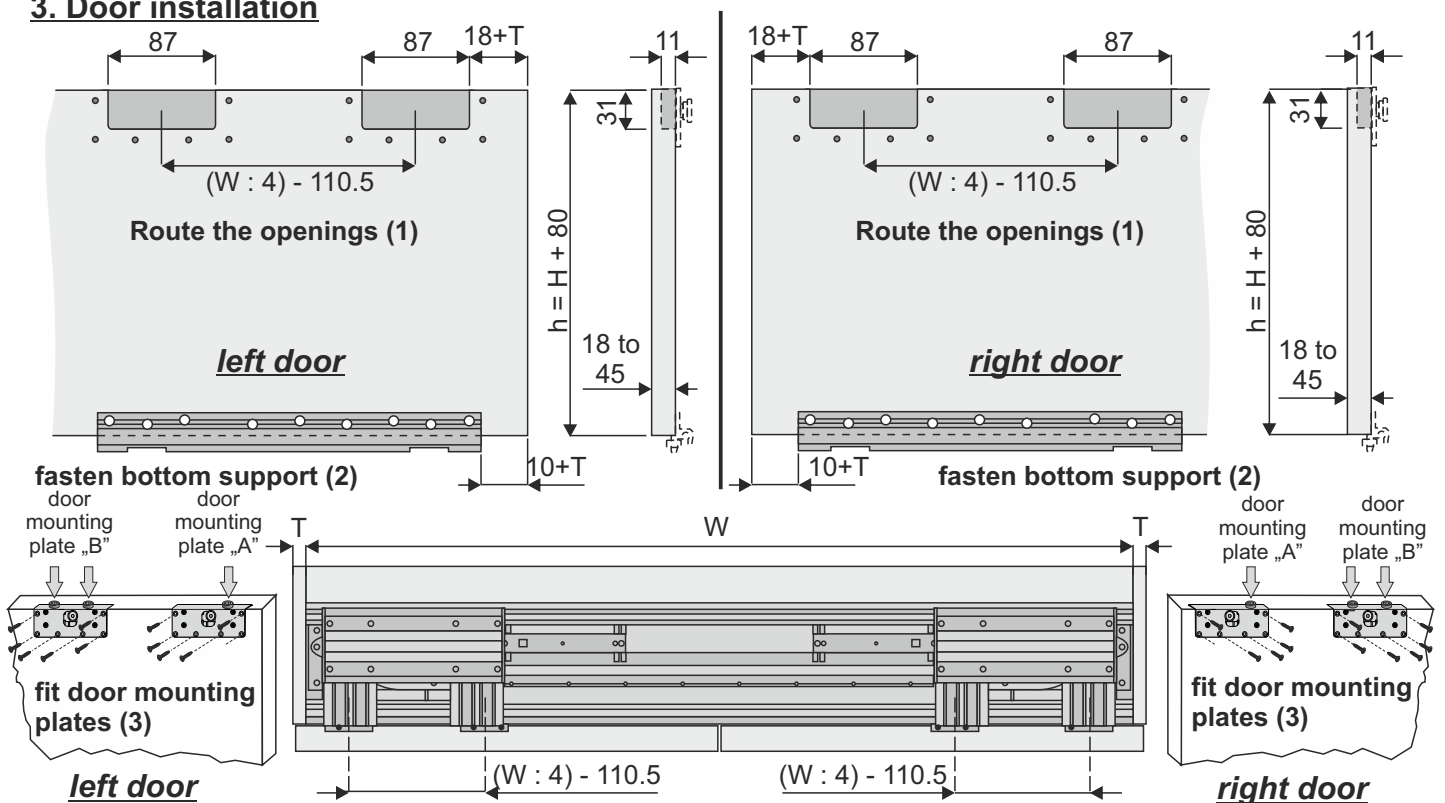
### 1. Top track installation



### 2. Bottom track installation

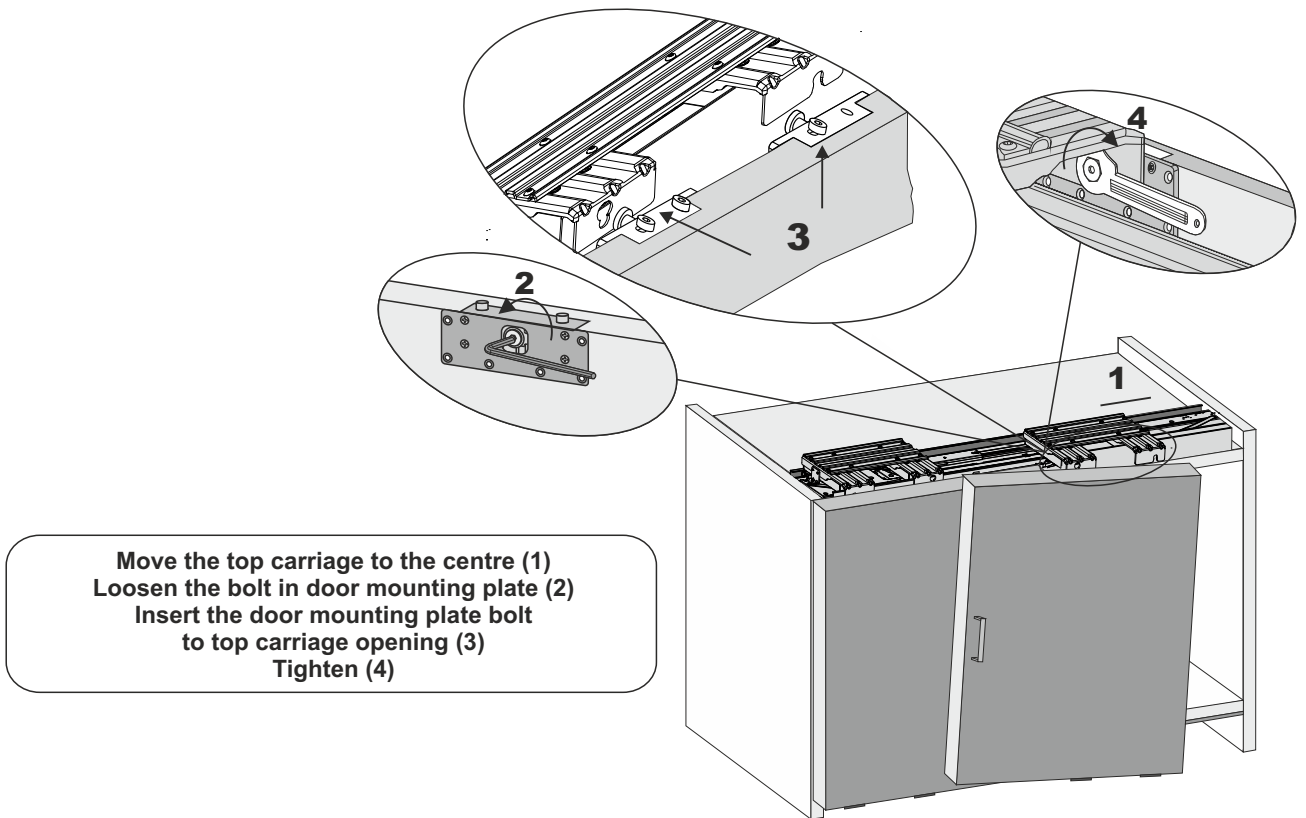


### 3. Door installation

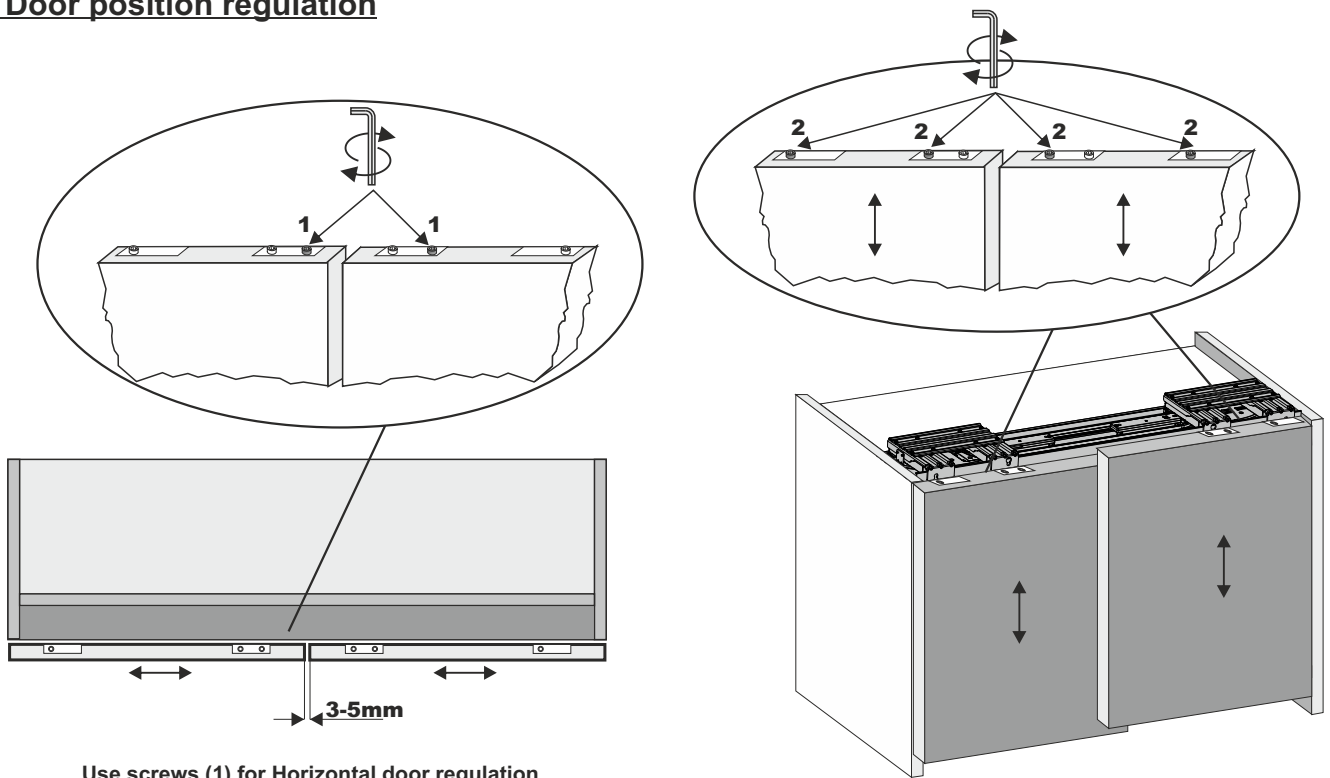




#### 4. Hanging the door on top track



#### 5. Door position regulation

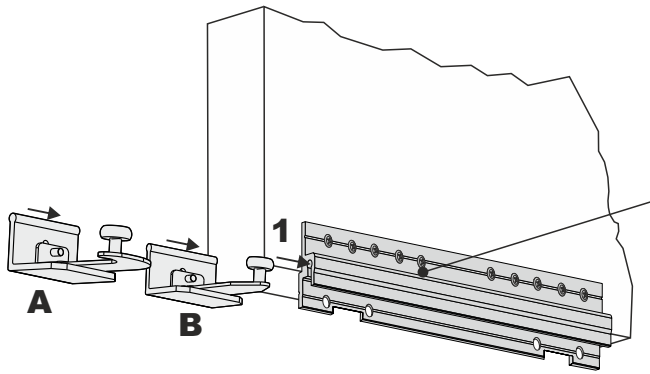


Use screws (1) for Horizontal door regulation

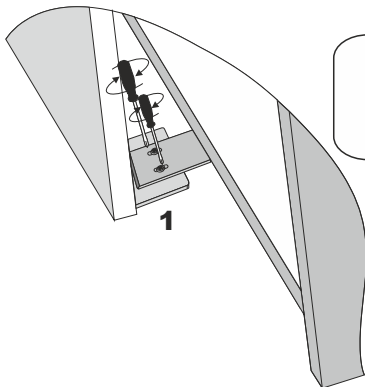
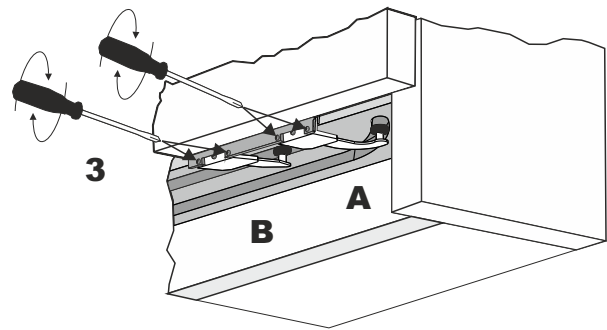
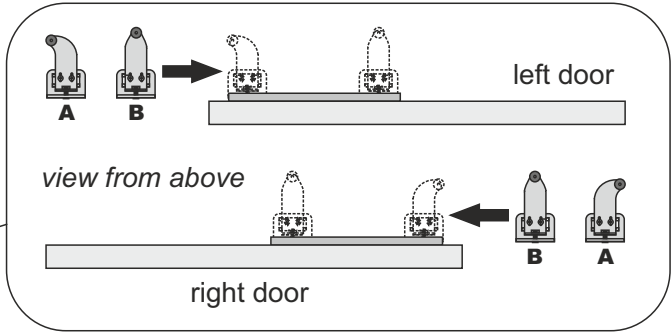
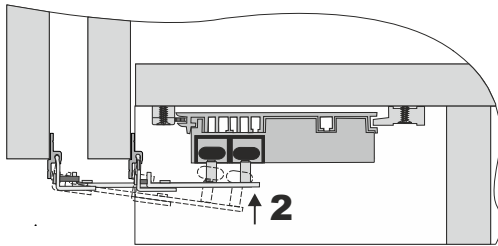
Use screws (2) for vertical door regulation



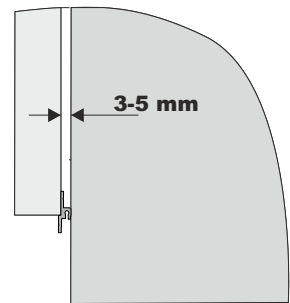
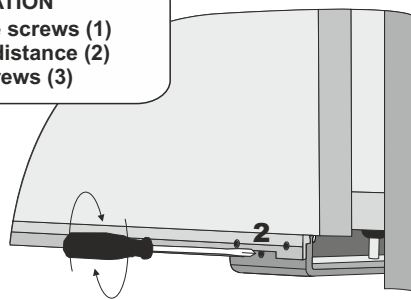
### 6. Door fastening in bottom track



Slide bottom guides A and B into bottom support (1)  
then place in bottom track (2)  
and tighten (3)



**REGULATION**  
Loosen up the screws (1)  
Regulate the distance (2)  
Fasten screws (3)



### 7. Door closing regulation

Soft-close strength regulation

If necessary regulate the position of door brake

