



LINE

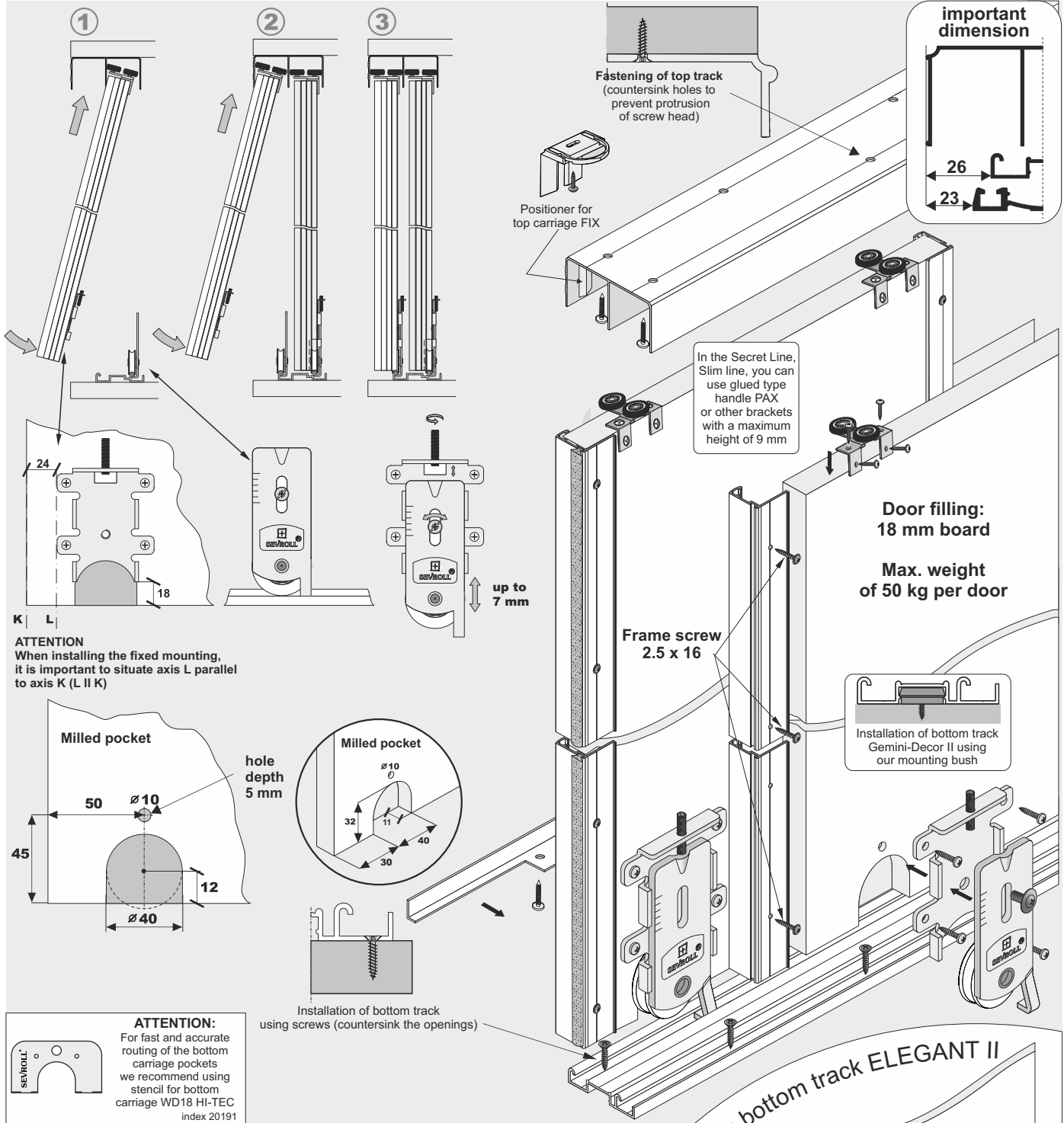
SLIM LINE, SECRET LINE

SYSTEM

GEMINI 18

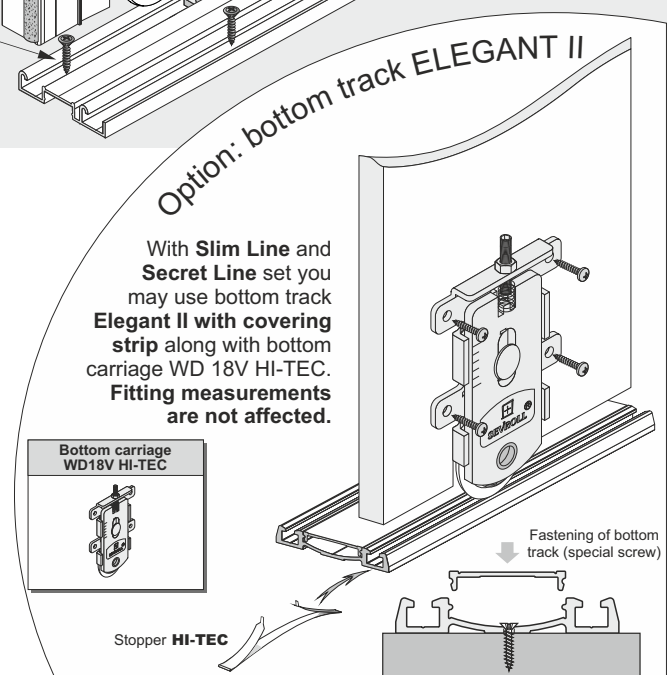


SEVROLL®



COMPONENTS

<p>Handle #18 L 2.70 m</p> <p>textile door stop (self-adhesive) 4.8 mm x 4 mm</p> <p>textile door stop (inserted) 4.8 mm x 4 mm</p> <p>anti-dust brushes (inserted) 6.7 mm x 13 mm</p> <p>Secret Line Slim Line</p>		<p>Top track Gemini-Decor</p> <p>L: 1.70 m, 2.35 m, 3.00 m, 4.05 m, 6.00 m</p> <p>76 mm</p>
<p>Bottom track Gemini-Decor II</p> <p>L: 1.70 m, 2.35 m, 3.00 m, 4.05 m, 6.00 m</p> <p>53 mm</p>	<p>Angle section Mini</p> <p>L: 1.70 m, 2.35 m, 3.00 m</p> <p>11 mm x 17 mm</p>	<p>Guiding carriage Focus</p>
<p>Bottom carriage WD18C HI-TEC</p>		





LINE

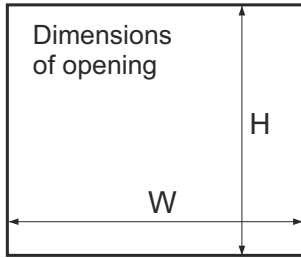
SLIM LINE, SECRET LINE

SYSTEM

GEMINI 18



SEVROLL®

**door filling - # 18 board**

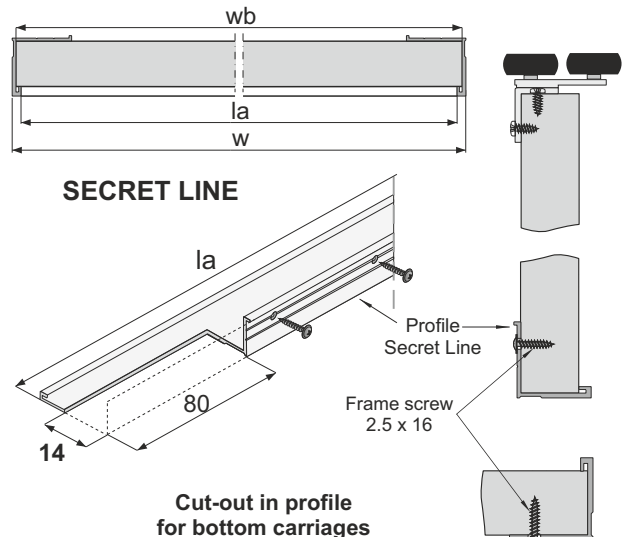
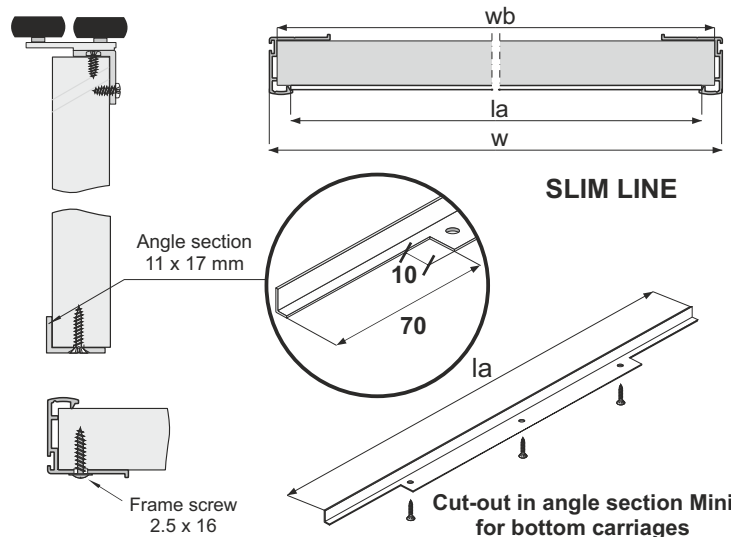
- When fitting handle profiles, do not use assembly adhesive

handle length = door height

		SLIM LINE		SECRET LINE	
door height	- h	h = H - 42 mm		h = H - 42 mm	
door wing height with soft-close fitted		Mini SV25/40/60 SV-25/50	h = H - 42 mm	Mini SV25/40/60 SV-25/50	h = H - 42 mm
		Top SV60/80 Central SV25/40	h = H - 44 mm	Top SV60/80 Central SV25/40	h = H - 44 mm
board height	- hb	hb = h - 2 mm		hb = h - 2 mm	
door width	- w	w = (W - 3 mm + Z) : N		w = (W - 3 mm + Z) : N	
board width	- wb	wb = w - 6 mm		wb = w - 3 mm	
angle section length	- la	la = w - 16 mm		la = w - 7 mm	

number of doors	- N	2	3	4	5	2	3	4	5
total overlap	- Z	25 mm	50 mm	75 mm	100 mm	25 mm	50 mm	75 mm	100 mm

visual design – 4 wings									
	door set up	w = (W - 3 + 75) : 4				w = (W - 3 + 75) : 4			
	door set up	w = (W : 2 + 22) : 2				w = (W : 2 + 22) : 2			

**ATTENTION!**

Handle profile should be 2 mm longer than board height.

WARNING

SEVROLL does not bear any responsibility for deformation resulting from the application of improper quality of boards (improper storage, improper humidity)

ATTENTION!

Remove protective film from aluminium elements (handles, tracks, connectors, etc.) prior to cutting them to the desired size. Film removal will reveal quality issues (eg. scratches)