



LINE

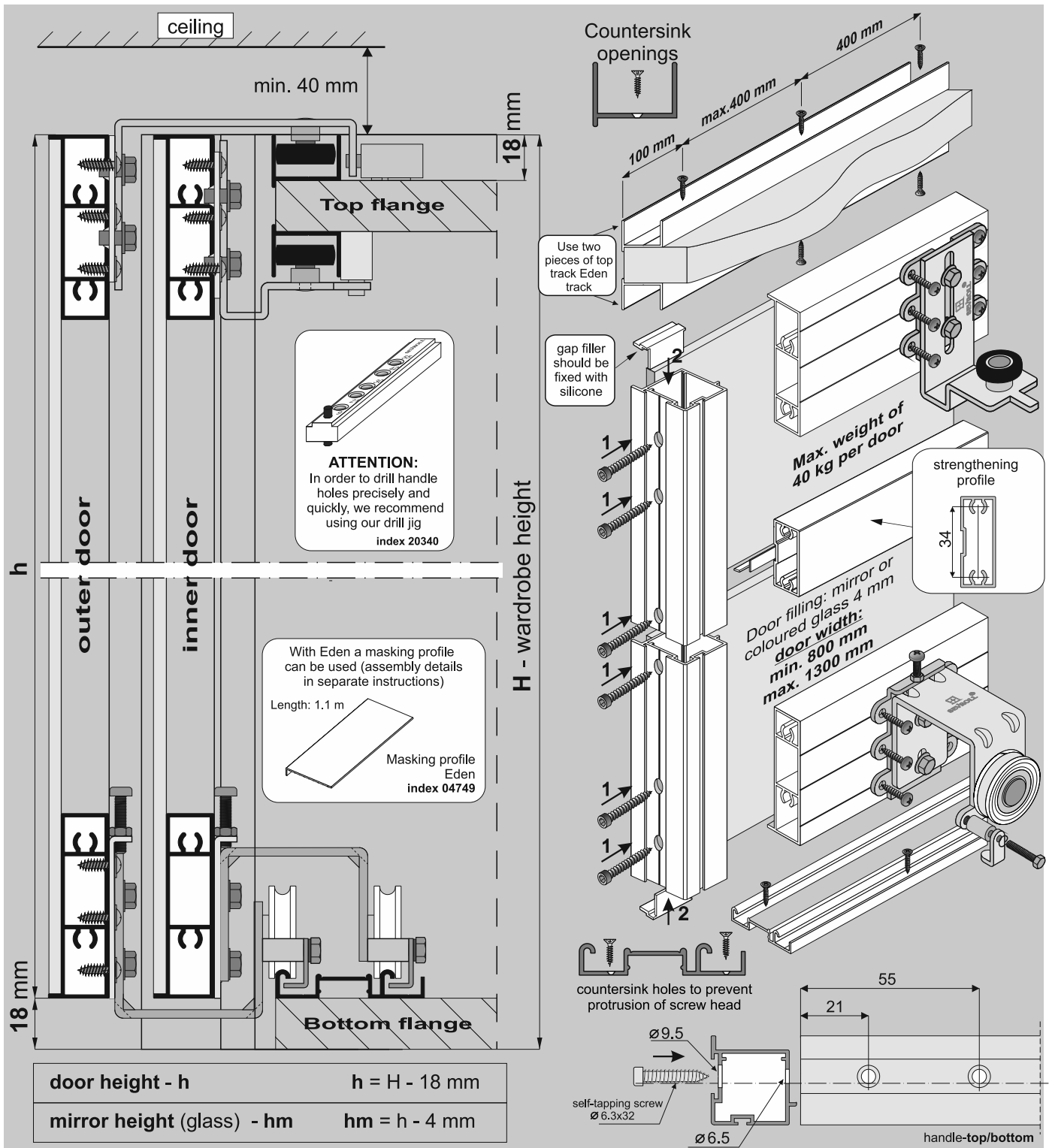
Pax

SYSTEM

EDEN 4 – 3 door wings



SEVROLL®



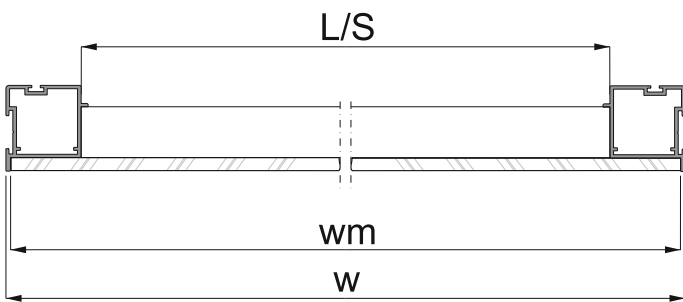
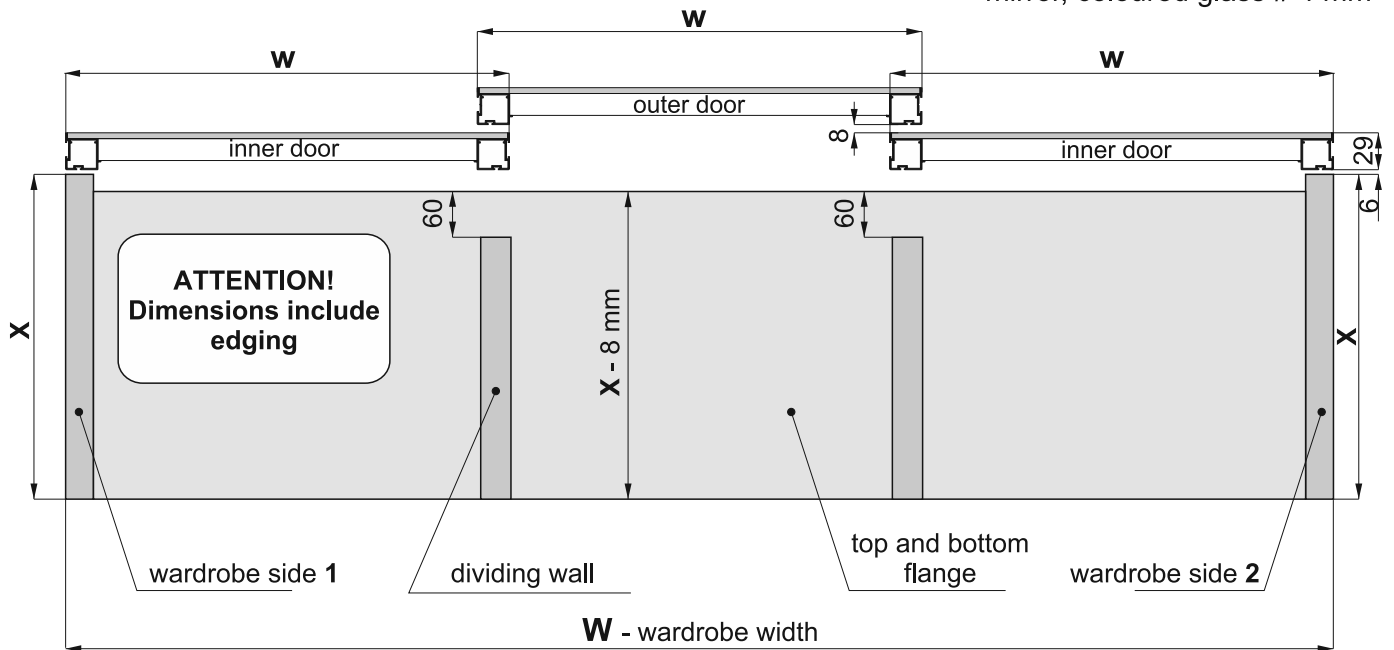
## COMPONENTS

|   |  |  |  |   |
|---|--|--|--|---|
| <b>Handle Pax</b><br>L: 2.70 m, 3.00 m<br>Anti-dust brush (inserted) 4,8 x 6 mm<br>Textile door stop (inserted) 14 x 4 mm | <b>Gap filler Pax</b><br>12 pcs                                  | <b>Horizontal profile Eden</b><br>L: 1.70 m, 2.35 m, 3.00 m                                | <b>Set for sliding door Eden – 2 door wings (inner and outer)</b><br>x2 x2 x2 x2 x2 x2 x2 x2 x4 x4 x4 x2 | <b>Set for third door Eden - 1 inner door</b><br>x2 x2 x1 x2 x2 x2  |
| <b>Bottom track Gemini-Decor II</b><br>L: 1.70 m, 2.35 m, 3.00 m, 4.05 m, 6.00 m<br>53                                    | <b>Top track Eden</b><br>L: 1.70 m, 2.35 m, 3.00 m, 6.00 m<br>24 | <b>(A) Strengthening profile</b><br><b>(B) Spacer profile 04</b><br>L: 3.00 m<br>L: 3.00 m | screw 3.5x20 x 4<br>screw M4x20 x 4<br>self-tapping screw 3.9x13 x 48<br>spring washer 4 x 4             | <b>Soft-close</b><br>SV25 MINI (index: 20359-SV) or SV40 MINI (index: 20260-SV) x 4<br>Central SV25 (20360-BL) or Central SV40 (20297-BL) x 1 |

You must remember to purchase self-tapping screws to construct each door (min. 8 screws per door).

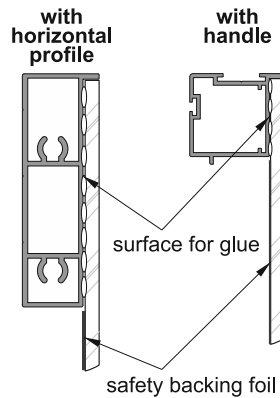


door filling:  
- mirror, coloured glass # 4 mm



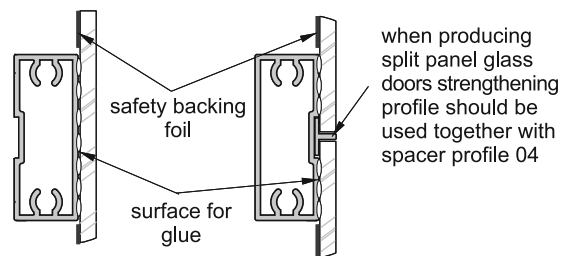
|                                    |                               |
|------------------------------------|-------------------------------|
| Door width                         | $w = (W + 50 \text{ mm}) : 3$ |
| Mirror width (glass)               | $w_m = w - 4 \text{ mm}$      |
| Horizontal profile Eden length - L | $L/S = w - 50 \text{ mm}$     |
| Strengthening profile length - S   |                               |
| Spacer profile 04 length           | $S + 46 \text{ mm}$           |

**Installation method for fitting mirror or coloured glass 4 mm**



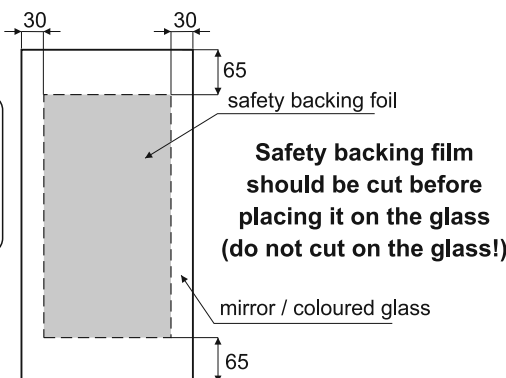
**ATTENTION!**  
Due to the fact that no plinth is needed in system Eden, attention must be paid to the bottom flange being positioned level to the floor. Additionally, when using furniture slides, they should be placed along the whole length so that the bottom flange and bottom track does not bend.

**with strengthening profile**

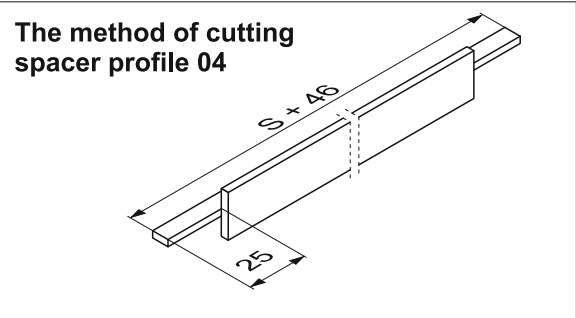


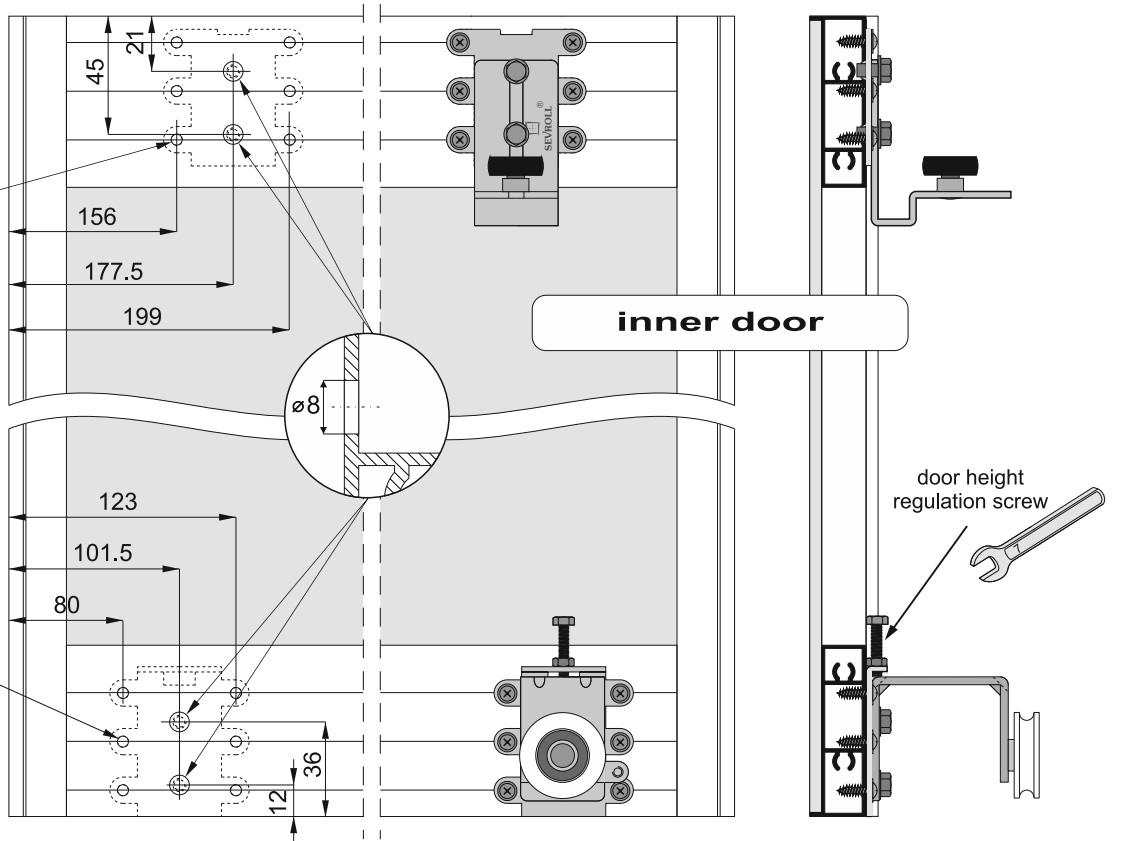
it is recommended that mirror / coloured glass is glued to aluminium profiles with specialist glass adhesive

**ATTENTION!**  
Rear mirror / coloured glass surface must be secured with safety backing foil (excluding glass surface glued with mirror adhesive). The edges of glass must be polished.

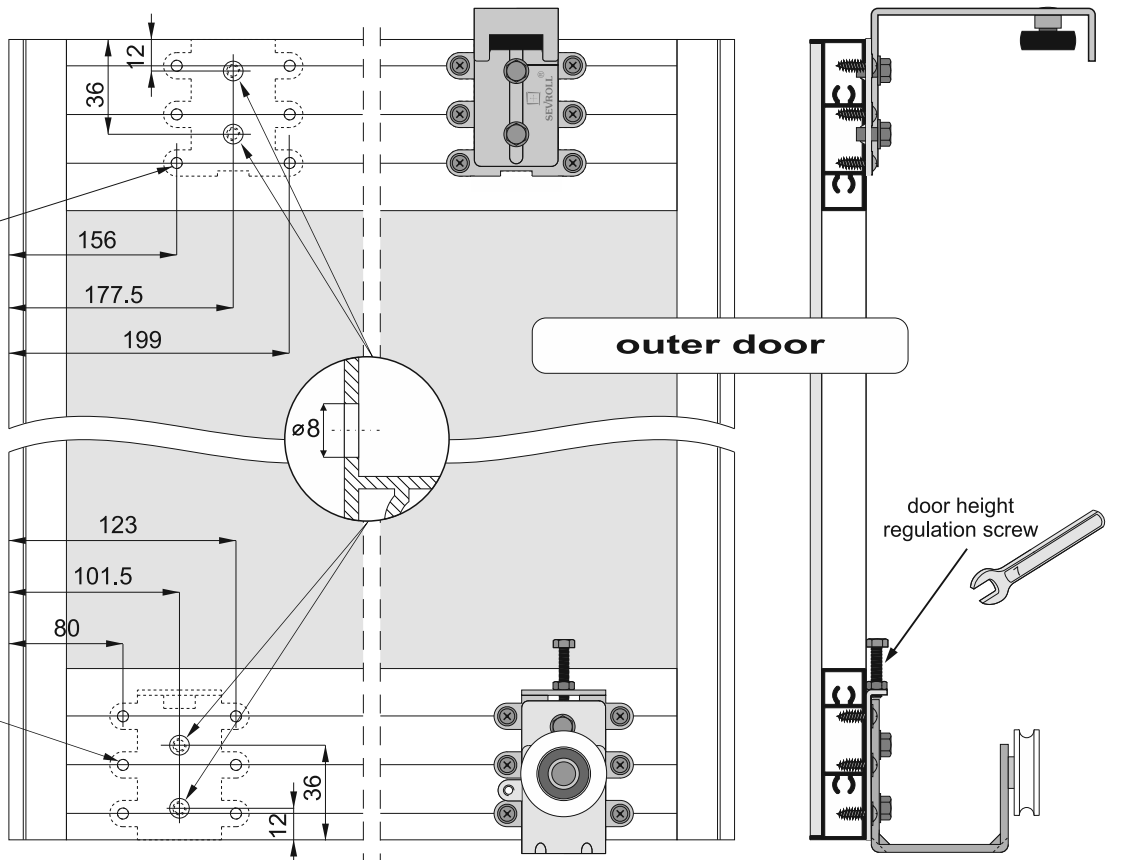
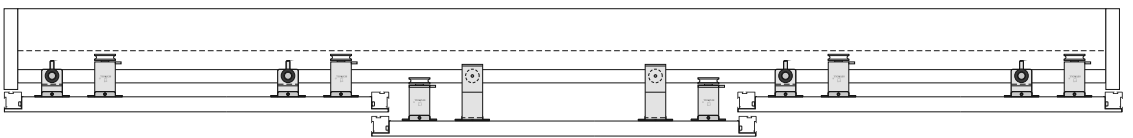
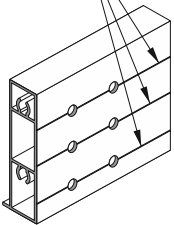


**ATTENTION**  
In Eden system with doors taller than 2 m it is possible for the door wing to bow +/- 5 mm



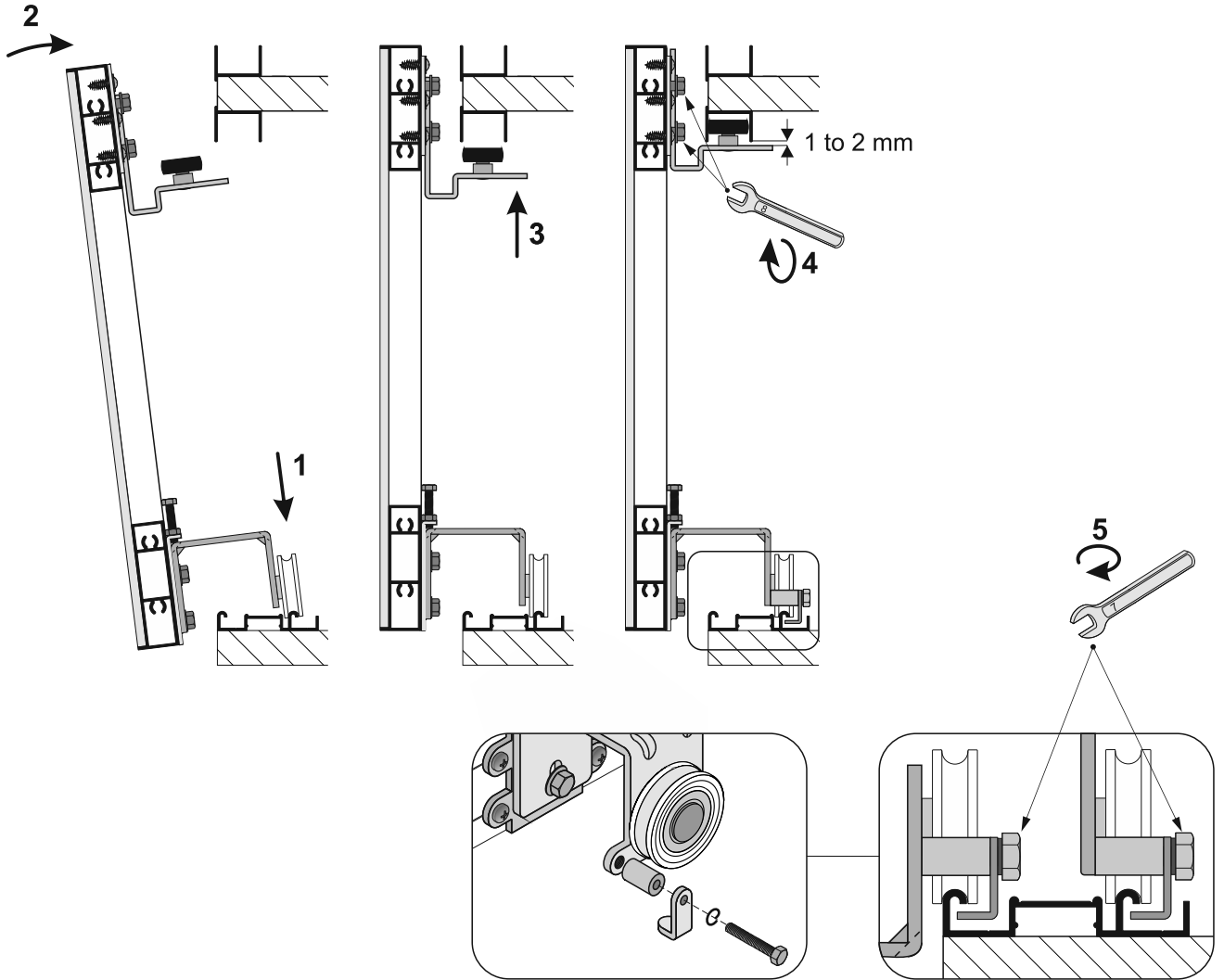


openings  $\varnothing 3$  for fastening carriages must be drilled along profile grooves

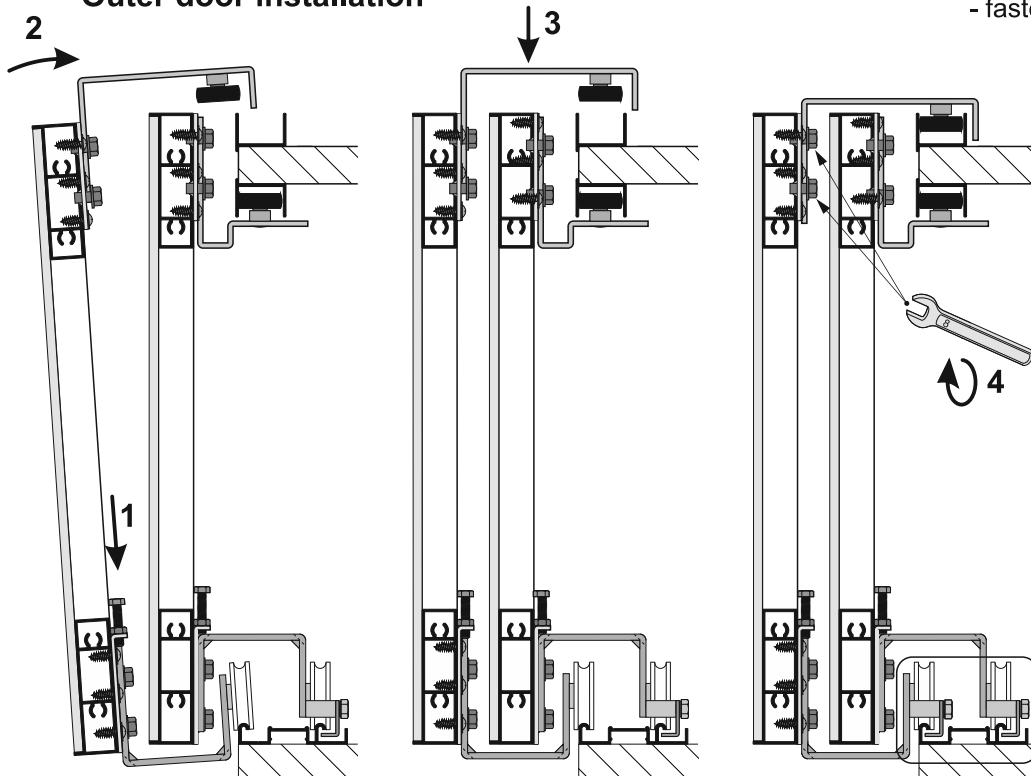




### Inner door installation

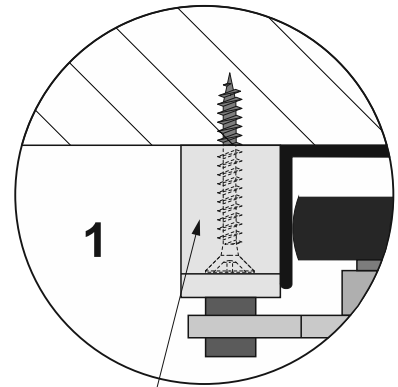
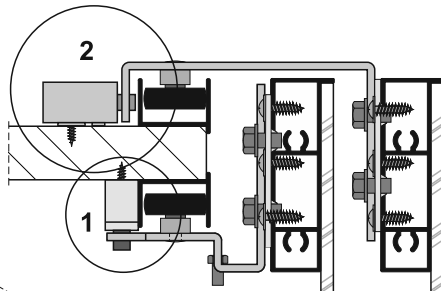


### Outer door installation

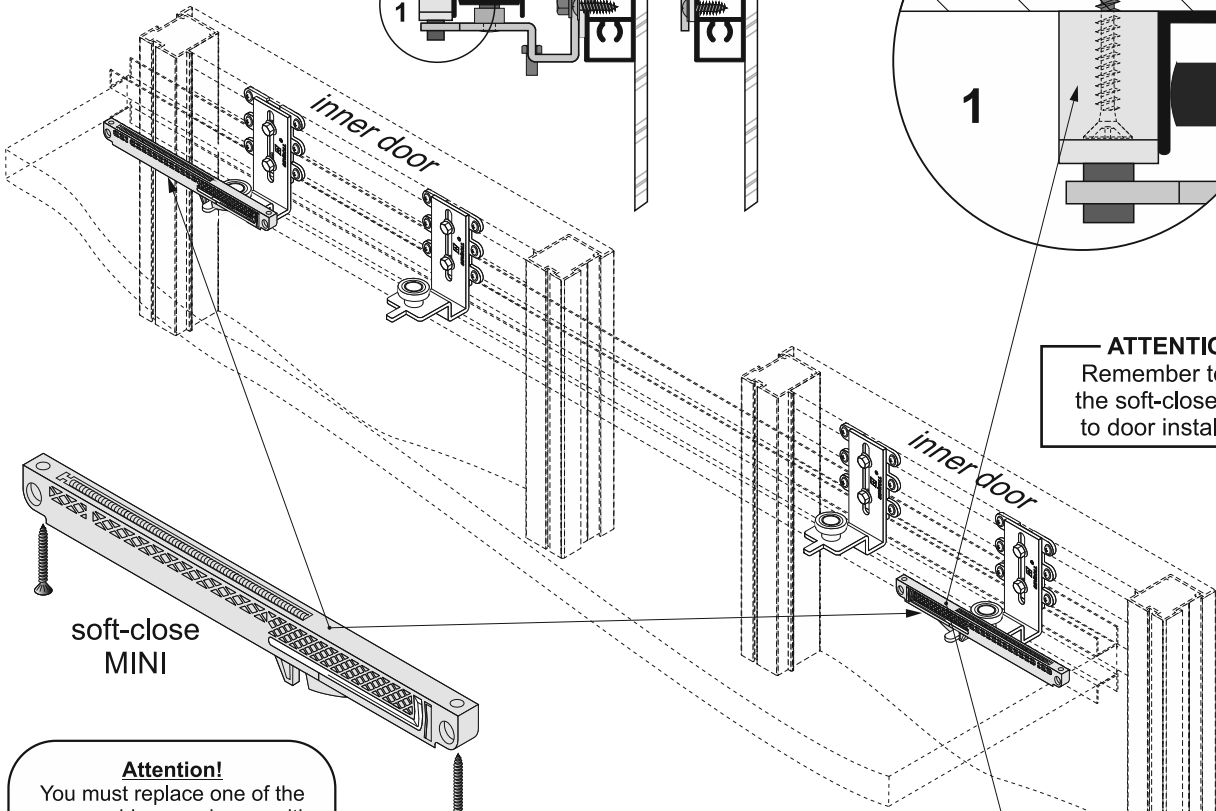




Soft-close installation



**ATTENTION!**  
Remember to arm the soft-closer prior to door installation



**Attention!**  
You must replace one of the upper guides, as shown, with the replacement found in 'set for 1 sliding door Eden'

