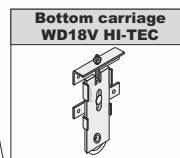


Option: bottom track ELEGANT II

With **FACTOR II, FOCUS II** set you may use bottom track **Elegant II with covering strip** along with bottom carriage WD 18V HI-TEC. **Fitting measurements are not affected.**

## COMPONENTS

<p><b>Handle</b></p> <p>L: 2.70 m</p> <p>FACTOR II C #16, #18      FOCUS II C #16, #18</p>	<p><b>Top track Gemini-Decor</b></p> <p>L: 1.70 m, 2.35 m, 3.00 m, 4.05 m, 6.00 m</p> <p>76 mm</p>	<p><b>Bottom track Gemini-Decor II</b></p> <p>L: 1.70 m, 2.35 m, 3.00 m, 4.05 m, 6.00 m</p> <p>53 mm</p>
<p><b>Guiding carriage Focus</b></p>	<p><b>Angle section</b></p> <p>Mini 11 mm x 17 mm</p> <p>L: 1.70 m, 2.35 m, 3.00 m</p> <p>Factor II C</p> <p>K2 Decor</p> <p>L: 1.70 m, 2.35 m, 3.00 m</p> <p>Factor II C</p>	<p><b>Bottom carriage WD18C HI-TEC</b></p>

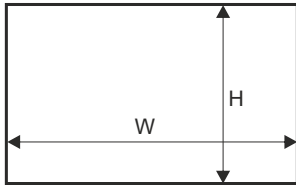


Stopper HI-TEC

Fastening of bottom track (special screw)



Dimensions of opening

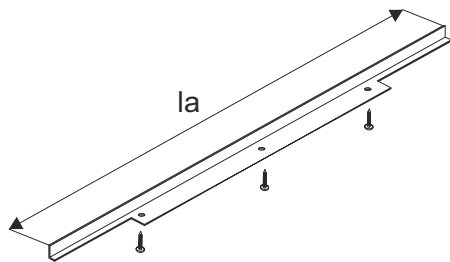
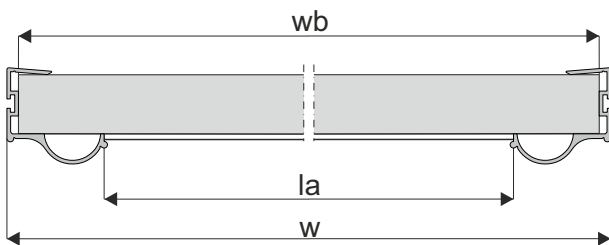


Handle length = door height

		<b>FACTOR II C</b>				<b>FOCUS II C</b>			
		anti-dust brushes (self-adhesive) 6.7 mm x 13 mm textile door stop (inserted) 4.8 mm x 4 mm #16, #18				anti-dust brushes (self-adhesive) 6.7 mm x 13 mm textile door stop (inserted) 4.8 mm x 4 mm #16, #18			
door height	- h	$h = H - 42 \text{ mm}$				$h = H - 42 \text{ mm}$			
door wing height with soft-close fitted		Mini SV25/40/60 SV-25/50	$h = H - 42 \text{ mm}$		Mini SV25/40/60 SV-25/50	$h = H - 42 \text{ mm}$			
		Top SV60/80 Central SV25/40	$h = H - 44 \text{ mm}$		Top SV60/80 Central SV25/40	$h = H - 44 \text{ mm}$			
board height	- hb	$hb = h - 2 \text{ mm}$				$hb = h - 2 \text{ mm}$			
door width	- w	$w = (W - 3 \text{ mm} + Z) : N$				$w = (W - 3 \text{ mm} + Z) : N$			
board width	- wb	$wb = w - 7 \text{ mm}$				$wb = w - 7 \text{ mm}$			
angle section length	- la	$la = w - 57.8 \text{ mm}$				$la = w - 55.4 \text{ mm}$			

number of doors	- N	2	3	4	5	2	3	4	5
total overlap	- Z	30 mm	60 mm	90 mm	120 mm	29 mm	58 mm	87 mm	116 mm

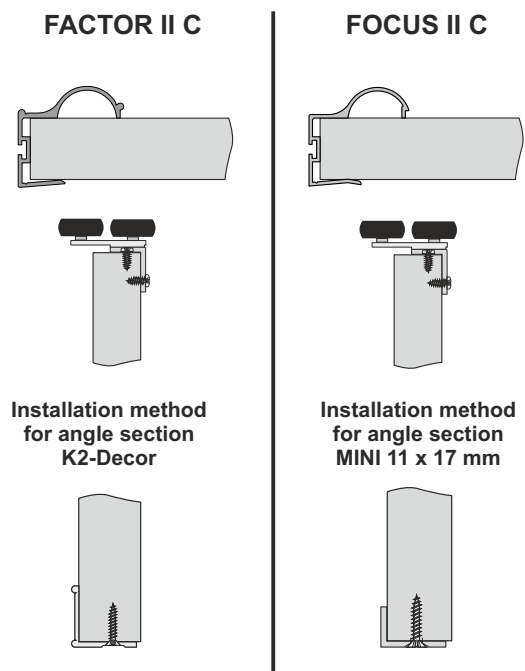
visual design – 4 wings									
	door set up	$w = (W - 3 + 90) : 4$				$w = (W - 3 + 87) : 4$			
	door set up	$w = (W : 2 + 27) : 2$				$w = (W : 2 + 26) : 2$			



**ATTENTION!**  
Handle profile should be 2 mm longer than board height.

**WARNING**  
SEVROLL does not bear any responsibility for deformation resulting from the application of improper quality of boards (improper storage, improper humidity)

Installation method for handle and guiding carriage with # 16 mm or # 18 mm board



- When fitting handle profiles, do not use assembly adhesive

**ATTENTION!** Remove protective film from aluminium elements (handles, tracks, connectors, etc.) prior to cutting them to the desired size. Film removal will reveal quality issues (eg. scratches)