

COMPONENTS

Frame Line
L: 2.70 m L: 2.70 m

SECRET LINE II **SLIM LINE**

Inset hinge (cup ø 35 mm, hole spacing 45 mm) with clip on and soft close

x4 pcs

Magnetic catch

x2

Textile door stop 4.8 mm x 4 mm

self-adhesive **inserted**
(SECRET LINE II) (SLIM LINE)

Screws

screw 2.5x16 (frame) x 14 pcs

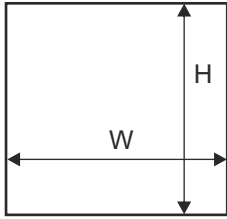


LINE

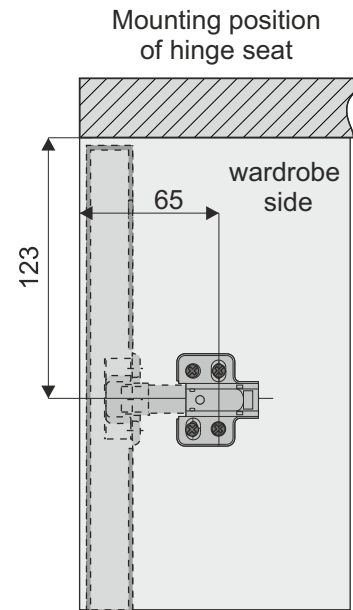
SYSTEM

DR SECRET LINE, DR SLIM LINE / DR FRAME LINE

Dimensions of opening



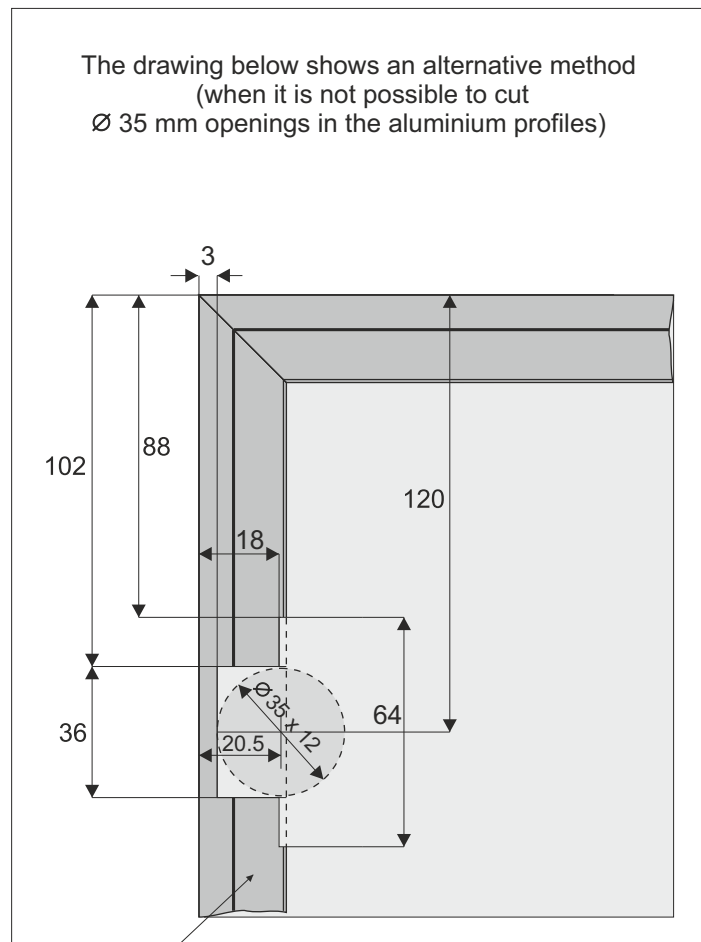
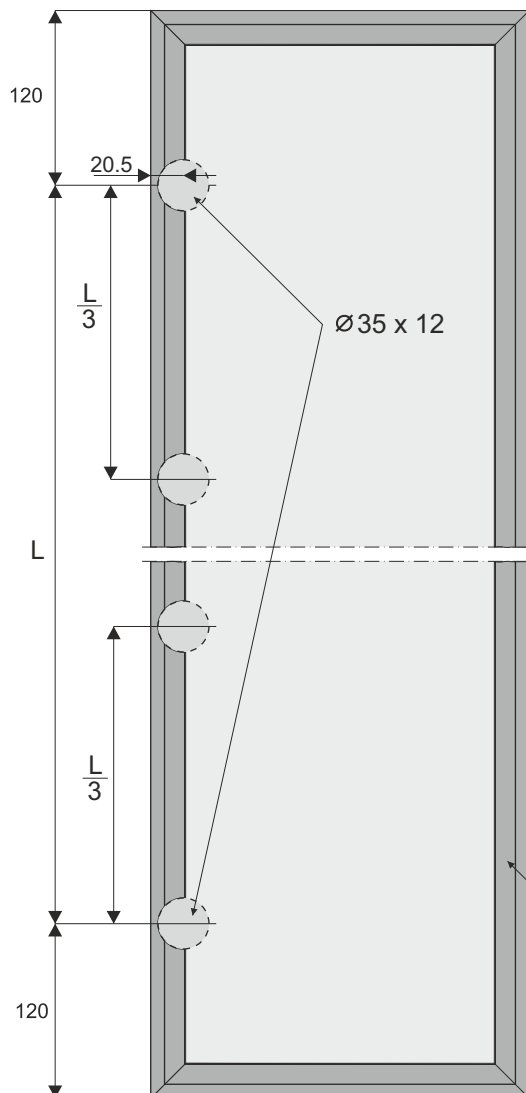
		LINE SECRET LINE II	LINE SLIM LINE
door height	- h	$h = H - 6 \text{ mm}$	$h = H - 6 \text{ mm}$
board height	- hb	$hb = h - 3 \text{ mm}$	$hb = h - 6 \text{ mm}$
single door system	door width	$w = W - 6 \text{ mm}$	$w = W - 6 \text{ mm}$
	door width	$w = (W - 9 \text{ mm}) : 2$	$w = (W - 8 \text{ mm}) : 2$
board width	- wb	$wb = w - 3 \text{ mm}$	$wb = w - 6 \text{ mm}$



Max. weight of
4 kg per 1 hinge

The weight 1 m² of 18 mm board = 13 kg

Method for positioning hinge recesses



Frame SECRET LINE II or SLIM LINE

ATTENTION!

Remove protective film from aluminium elements (handles, tracks, connectors, etc.) prior to cutting them to the desired size. Film removal will reveal quality issues (eg. scratches)