

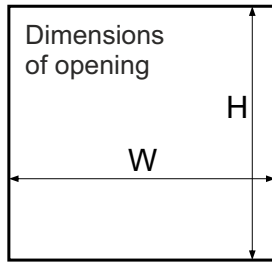
COMPONENTS

<p>Handle</p> <p>L: 2.70 m, 3.00 m L: 2.70 m</p> <p>PORTO PROSPER II</p>		<p>Lower horizontal profile MAXIM II-Decor (A)</p> <p>Upper horizontal profile MAXIM II (B)</p> <p>L: 1.80 m L: 1.80 m 2.50 m 2.50 m 3.50 m 3.50 m 4.30 m 4.30 m 6.00 m 6.00 m</p> <p>(A) (B)</p>	
<p>Top track TOP</p> <p>L: 1.70 m, 2.35 m, 3.00 m, 6.00 m</p> <p>48</p>	<p>Bottom carriage WD10V HI-TEC</p>	<p>Guiding carriage MASTER</p>	

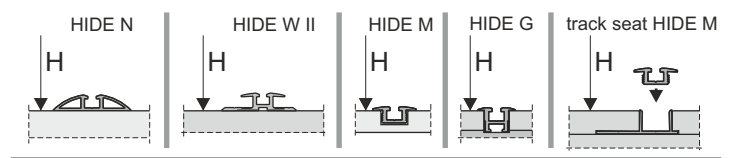
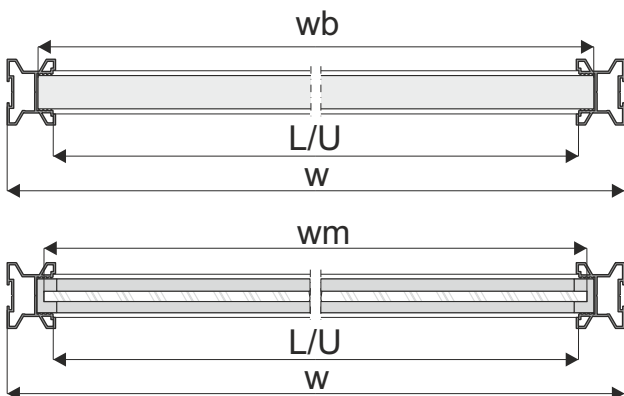
DEPENDENT ON FLOOR TYPE, YOU MAY CHOOSE FROM DIFFERENT BOTTOM TRACKS

<p>Bottom track HIDE M inserted</p> <p>L: 1.70 m, 2.35 m, 3.00 m, 6.00 m</p>	<p>Bottom track HIDE G to be used with tiles</p> <p>L: 1.70 m, 2.35 m, 3.00 m, 6.00 m</p>	<p>Bottom track HIDE W II to be used with carpet</p> <p>L: 3.00 m, 6.00 m</p>
<p>Bottom track HIDE N surface mounted</p> <p>L: 1.70 m, 2.35 m, 3.00 m, 6.00 m</p>	<p>Track seat HIDE M</p> <p>L: 1.70 m, 2.35 m, 3.00 m, 6.00 m</p>	

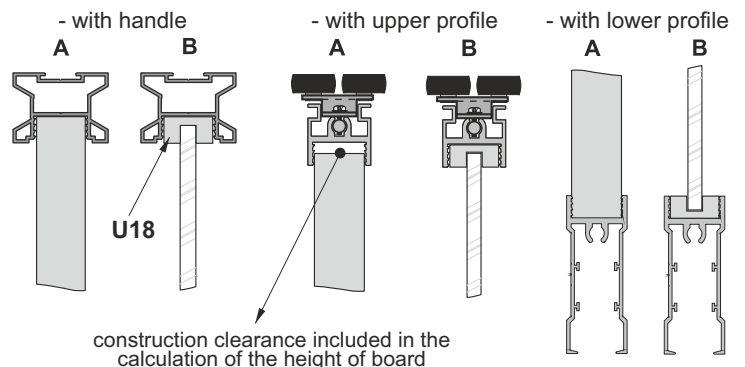
You must remember to purchase self-tapping screws to construct each door (4 screws per door). When using safety glass, you must also remember to purchase gaskets.



		Handle length = door height			
		LINE PORTO		LINE PROSPER II	
		Handle Porto	Guiding carriage Master	Handle Prosper II	Guiding carriage Master
textile door stop (inserted) 14 mm x 4 mm					
		L/R	L/R	L/R	L/R
Track HIDE N door height - h		$h = H - 38 \text{ mm}$		$h = H - 38 \text{ mm}$	
door wing height with soft-close fitted Track HIDE N	Mini SV25/40/60 SV-25/50	$h = H - 38 \text{ mm}$		$h = H - 38 \text{ mm}$	
	Top SV60/80 Central SV25/40	$h = H - 40 \text{ mm}$		$h = H - 40 \text{ mm}$	
Track HIDE W door height - h		$h = H - 40 \text{ mm}$		$h = H - 40 \text{ mm}$	
door wing height with soft-close fitted Track HIDE W	Mini SV25/40/60 SV-25/50	$h = H - 40 \text{ mm}$		$h = H - 40 \text{ mm}$	
	Top SV60/80 Central SV25/40	$h = H - 42 \text{ mm}$		$h = H - 42 \text{ mm}$	
Track HIDE: M, G, track seat HIDE M door height - h		$h = H - 33 \text{ mm}$		$h = H - 33 \text{ mm}$	
door wing height with soft-close fitted HIDE M, HIDE G, track seat	Mini SV25/40/60 SV-25/50	$h = H - 33 \text{ mm}$		$h = H - 33 \text{ mm}$	
	Top SV60/80 Central SV25/40	$h = H - 35 \text{ mm}$		$h = H - 35 \text{ mm}$	
board height - hb		$hb = h - 68 \text{ mm}$		$hb = h - 68 \text{ mm}$	
assumed door width - w		w		w	
board width - wb		$wb = w - 41 \text{ mm}$		$wb = w - 31 \text{ mm}$	
lower horizontal profile length - L		$L = U = w - 57.4 \text{ mm}$		$L = U = w - 47.4 \text{ mm}$	
upper horizontal profile length - U					
mirror height - hm		$hm = hb$		$hm = hb$	
mirror width - wm		$wm = wb - 4 \text{ mm}$		$wm = wb - 4 \text{ mm}$	



Installation method for fitting 18 mm board (diag. A) and 4 mm mirror or glass (diag. B)



ATTENTION!

Mirror (4 mm) should be used with a safety backing film. Safety glass (4.5 mm) comprises of two thin layers with a film in-between. Both mirror and glass need fitting gaskets U18.

ATTENTION!

Remove protective film from aluminium elements (handles, tracks, connectors, etc.) prior to cutting them to the desired size. Film removal will reveal quality issues (eg. scratches)