

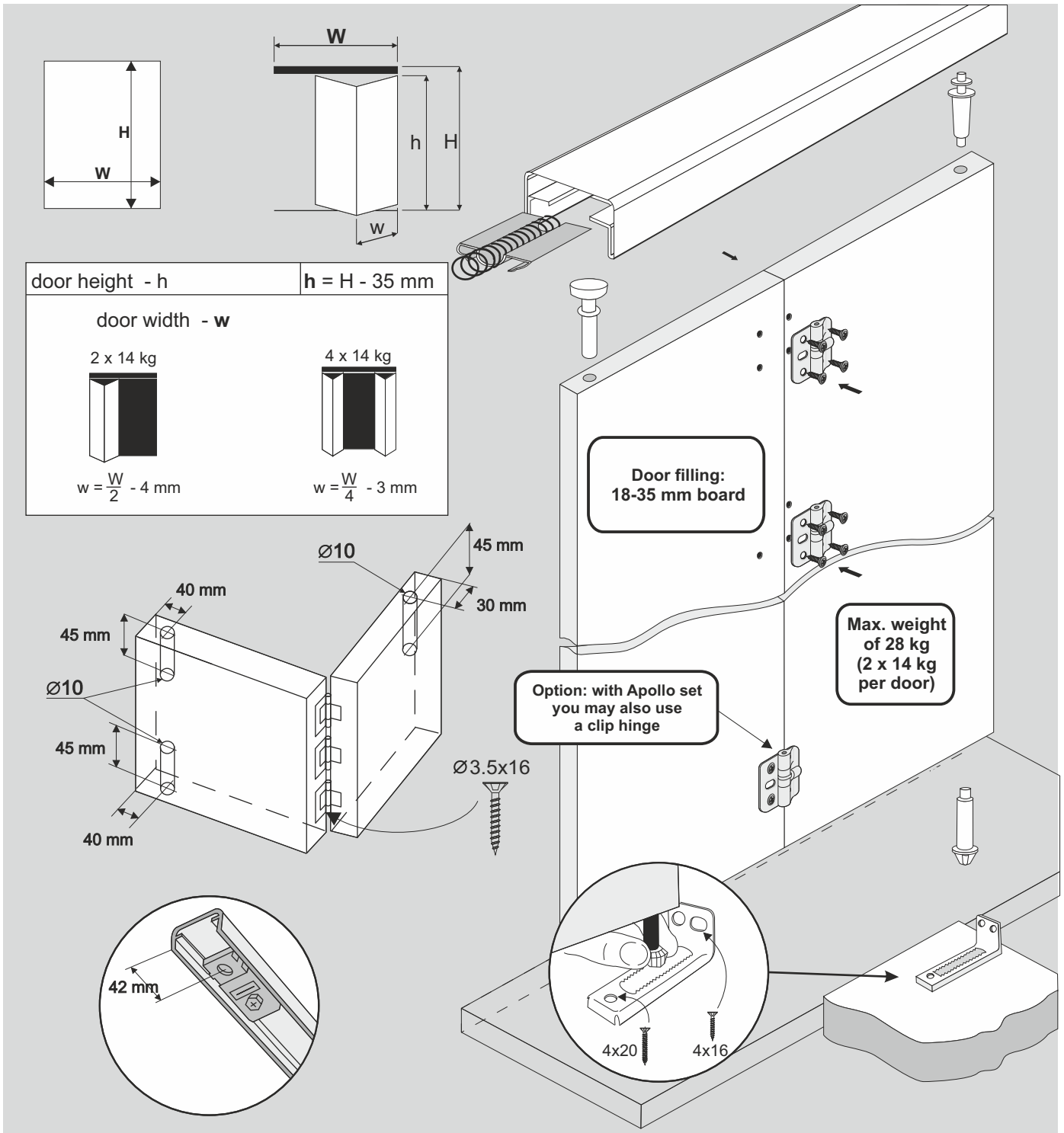


SYSTEM

DS APOLLO



SEVROLL®



COMPONENTS

Set Apollo (2 wings)

Top track APOLLO with pivot seat

Length: 0.603 m, 0.756 m, 0.806 m, 0.908 m

screws 1 set

Bottom pivot seat

Bottom pivot

Top pivot

Top guide

Single shock absorber

Hinge x3

Set Apollo (4 wings)

Top track APOLLO with pivot seat

Length: 1.213 m, 1.518 m, 1.822 m

screws 1 set

Bottom pivot seat x2

Bottom pivot x2

Top pivot x2

Top guide x2

Twin shock absorber

Hinge x6

OPTION

Clip hinge