



LINE

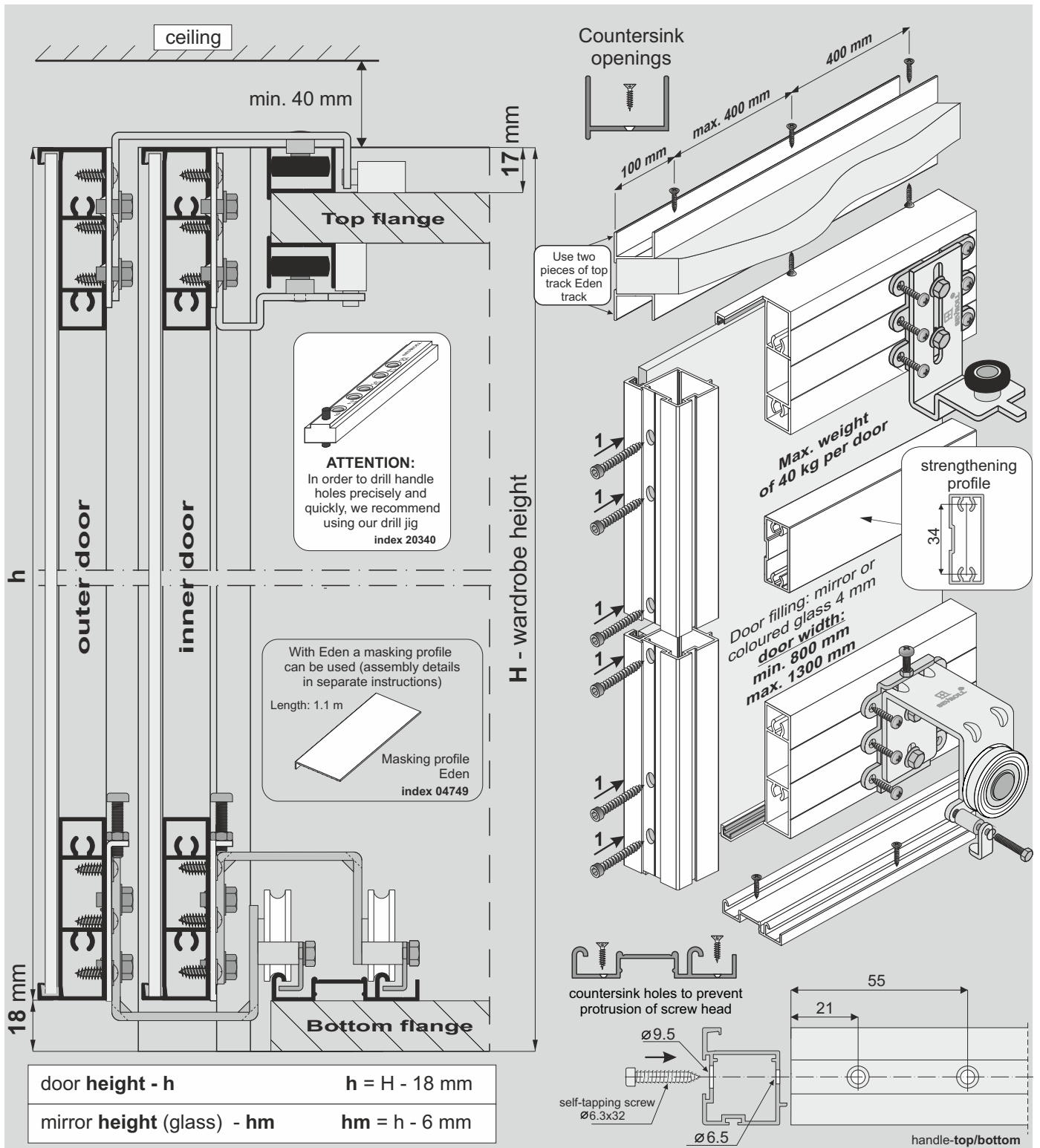
Pax XL

SYSTEM

EDEN 4 – 3 door wings



SEVROLL®



## COMPONENTS

<b>Handle Pax XL</b> Anti-dust brush (inserted) 4,8 x 6 mm Textile door stop (inserted) 14 x 4 mm	<b>Gasket for frame Type II</b> (index - 20167)	<b>Horizontal profile Eden XL</b>	<b>Set for sliding door Eden - 2 door wings</b> 	<b>Set for third door Eden - 1 inner door</b> 
<b>Bottom track Gemini-Decor II</b>	<b>Top track Eden</b>	<b>Strengthening profile</b>	<b>Soft-close</b> SV25 MINI (index: 20359-SV) x4 or SV40 MINI (index: 20260-SV)	<b>Central SV25 (20363-SV) or Central SV40 (20319-SV)</b> x1

You must remember to purchase self-tapping screws to construct each door (min. 8 screws per door).



LINE

Pax XL

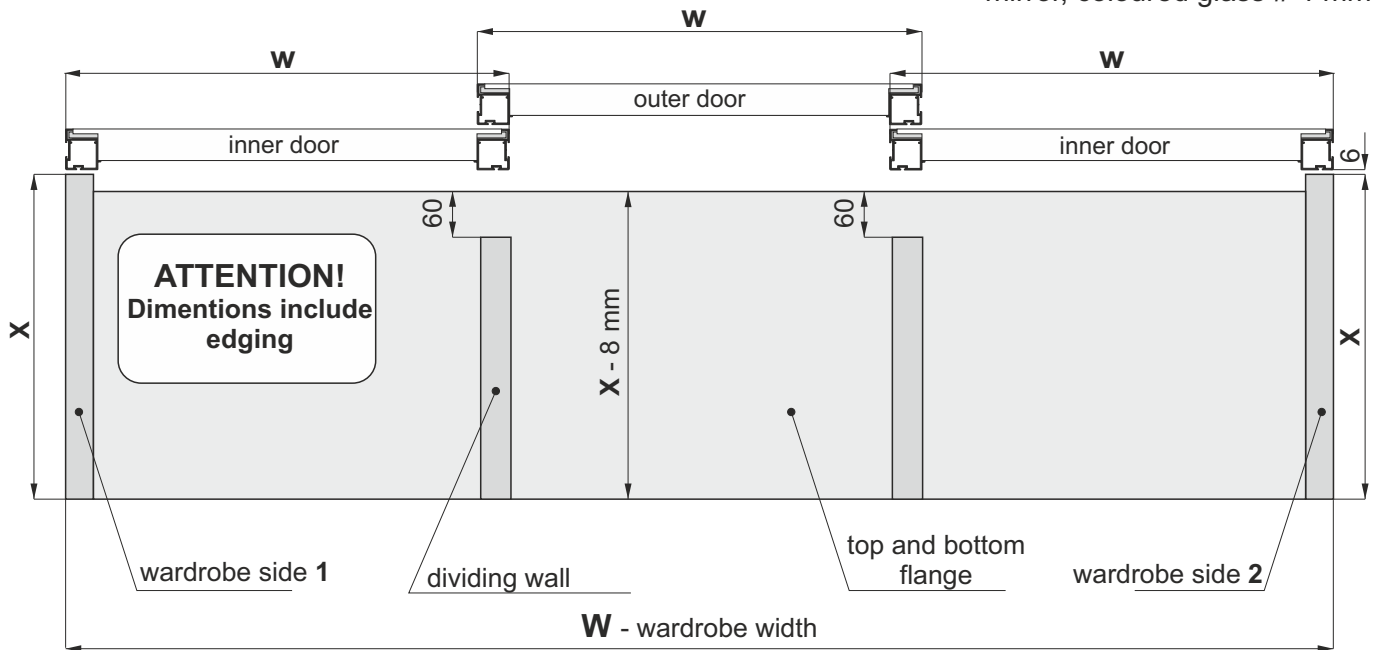
SYSTEM

EDEN 4 – 3 door wings



SEVROLL®

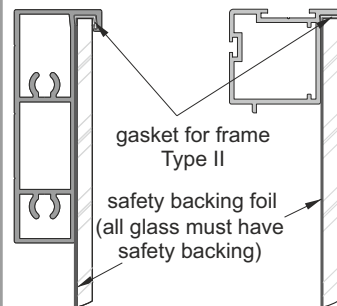
door filling:  
- mirror, coloured glass # 4 mm



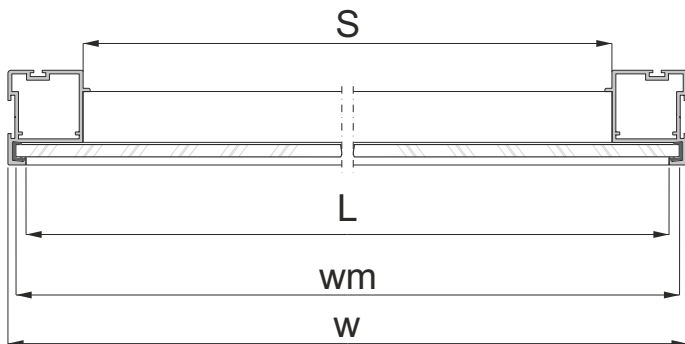
### Installation method for fitting mirror or coloured glass 4 mm

- with  
horizontal  
profile

- with  
handle



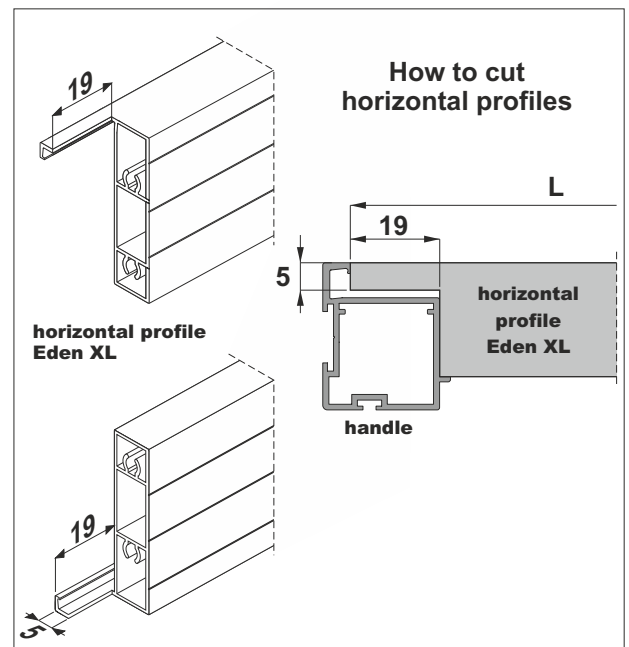
**ATTENTION!**  
Due to the fact that no plinth is needed in system Eden, attention must be paid to the bottom flange being positioned level to the floor. Additionally, when using furniture slides, they should be placed along the whole length so that the bottom flange and bottom track does not bend.



Door width	$w = (W + 50 \text{ mm}) : 3$
Mirror width (glass)	$w_m = w - 6 \text{ mm}$
Horizontal profile length Eden XL	$L = w - 12 \text{ mm}$
Strengthening profile length	$S = w - 50 \text{ mm}$

### ATTENTION!

Rear mirror / coloured glass surface must be secured with safety backing foil (excluding glass surface glued with mirror adhesive).  
The edges of glass must be polished.





LINE

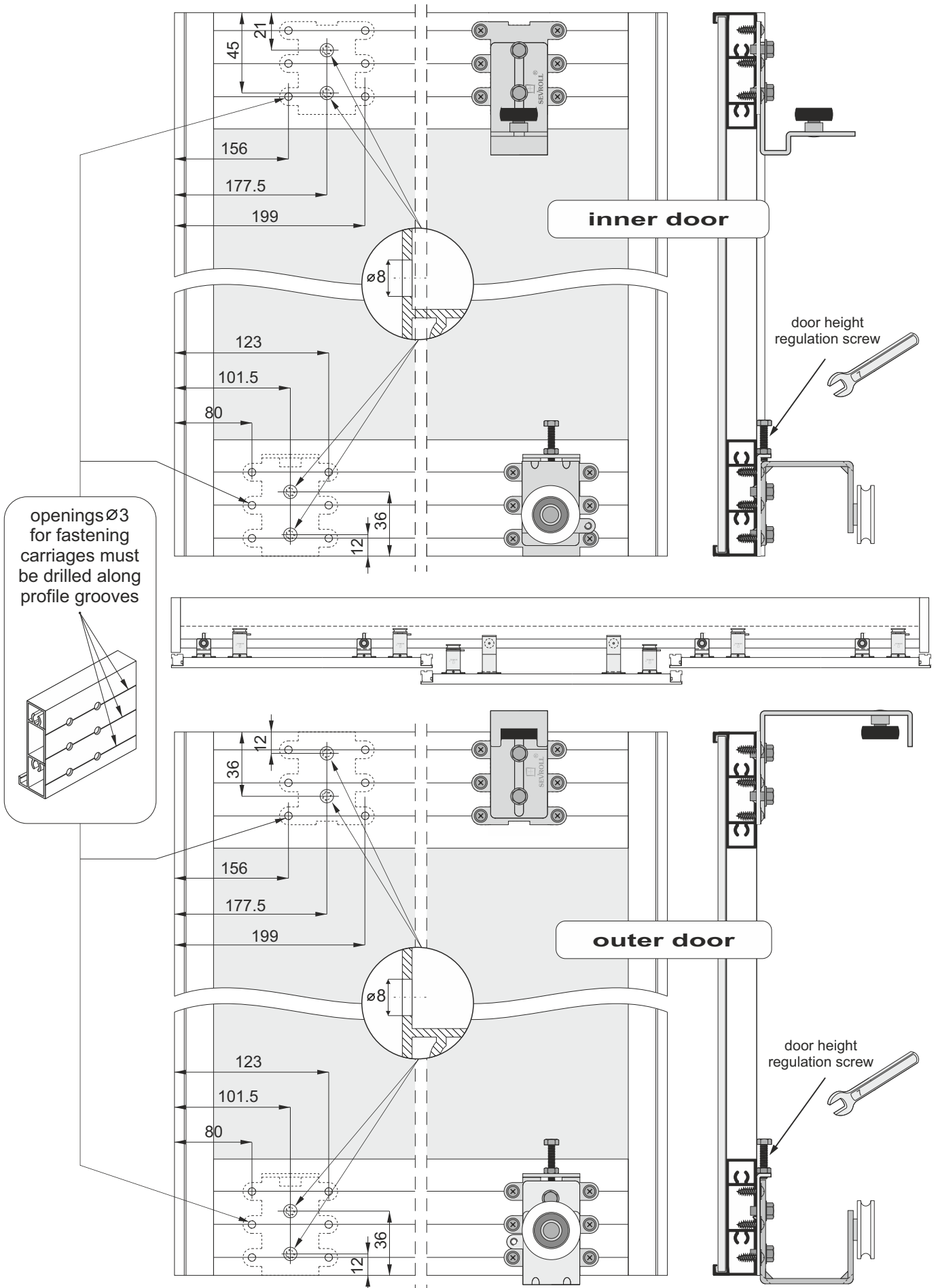
Pax XL

SYSTEM

EDEN 4 – 3 door wings

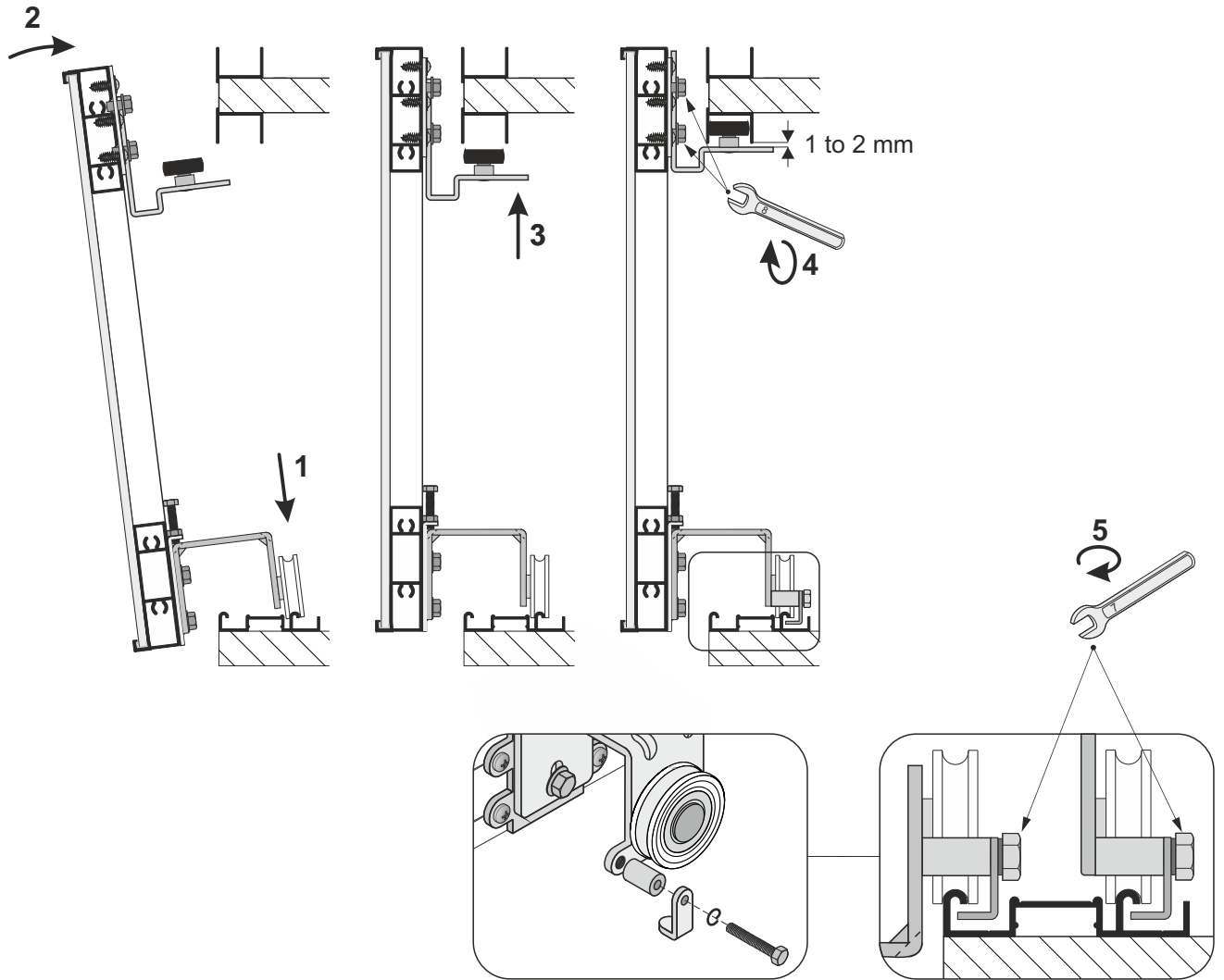


SEVROLL®

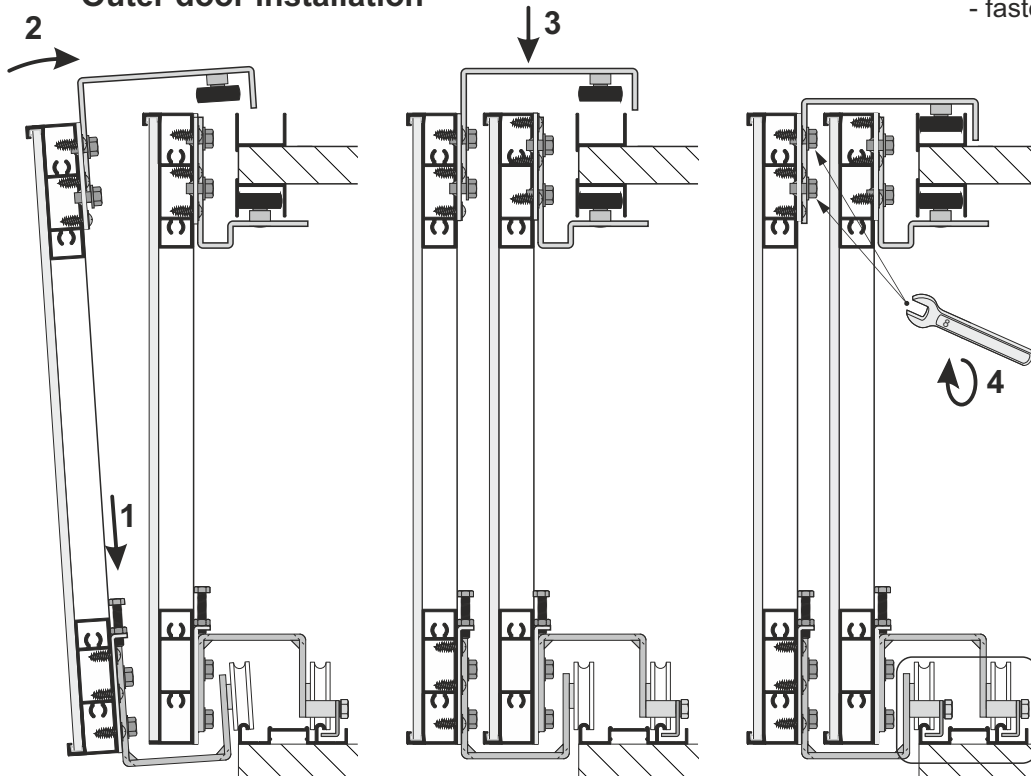




### Inner door installation



### Outer door installation





LINE

Pax XL

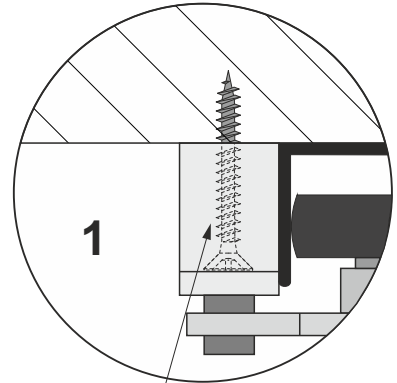
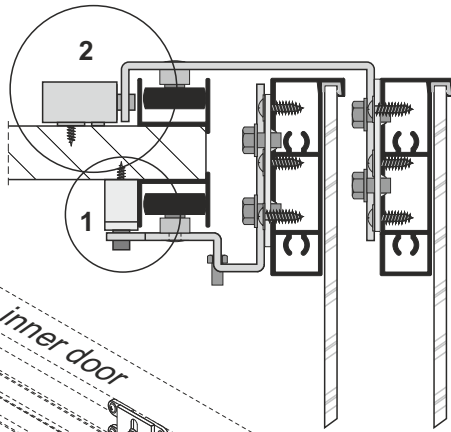
SYSTEM

EDEN 4 – 3 door wings

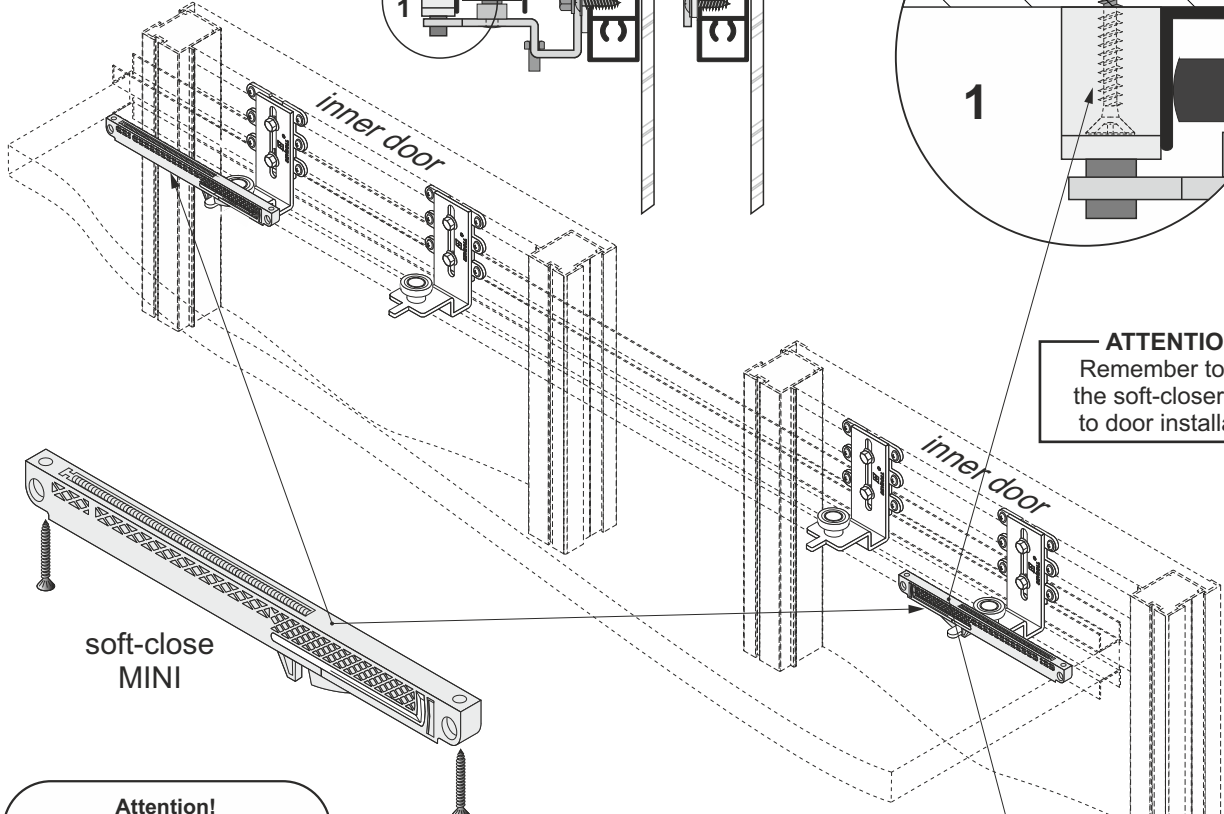


SEVROLL®

### Soft-close installation

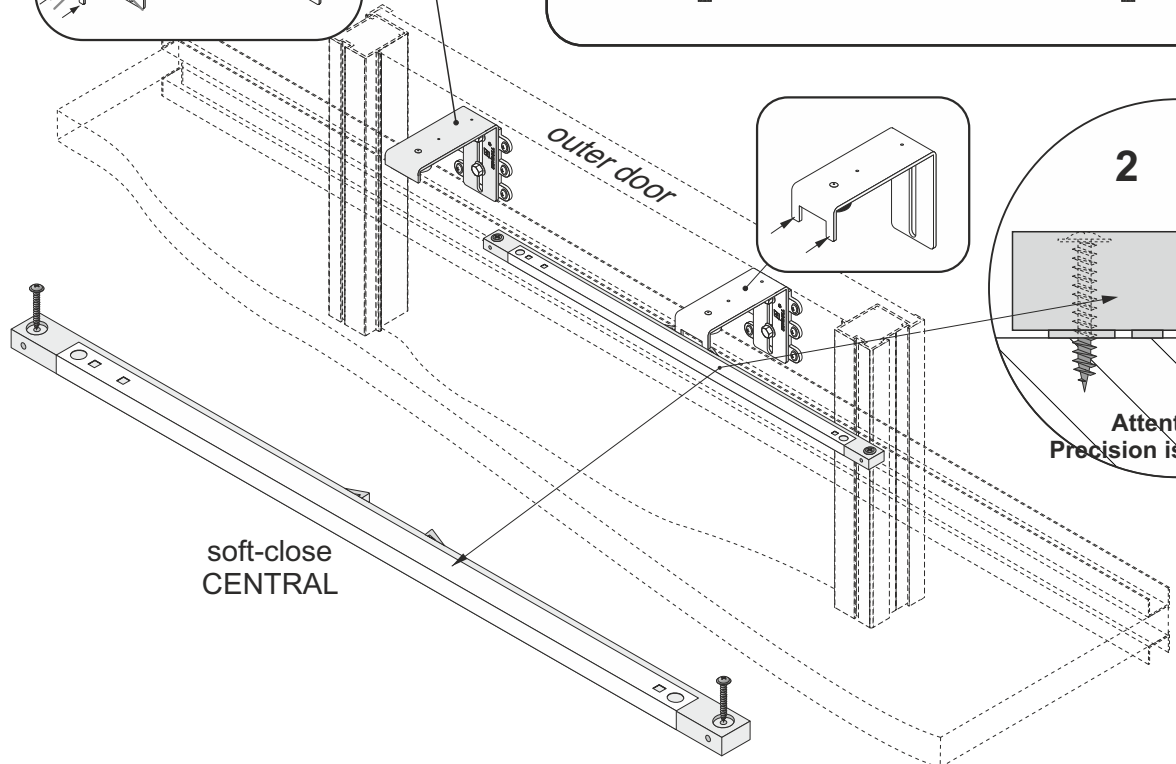
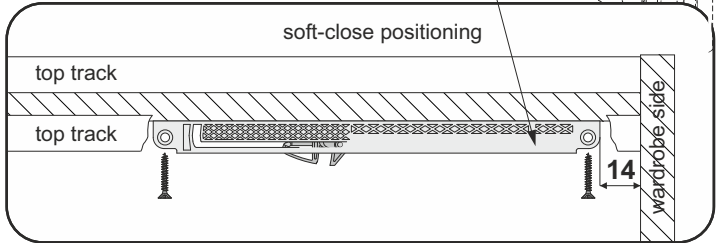


**ATTENTION!**  
Remember to arm  
the soft-closer prior  
to door installation

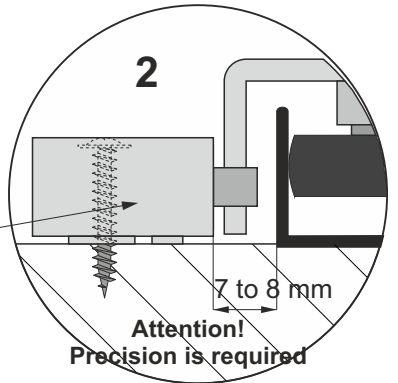
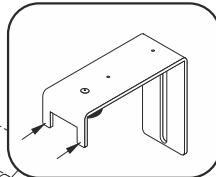


soft-close  
MINI

**Attention!**  
You must replace one of  
the upper guides, as shown,  
with the replacement found in 'set  
for 1 sliding door Eden'



soft-close  
CENTRAL



**Attention!**  
Precision is required