

COMPONENTS

Top track Herakles
L: 1.20 m, 1.80 m, 3.00 m, 3.60 m
32
33

Pathway door set ZPH-18 (Herakles) 80 kg

x2
Carriage Herakles 80 kg

Clipstopper Herakles Stopper

Flat spanner 6
Flat spanner 10/13

Universal guide

Screw 4x50 - 8 pcs

OPTIONS

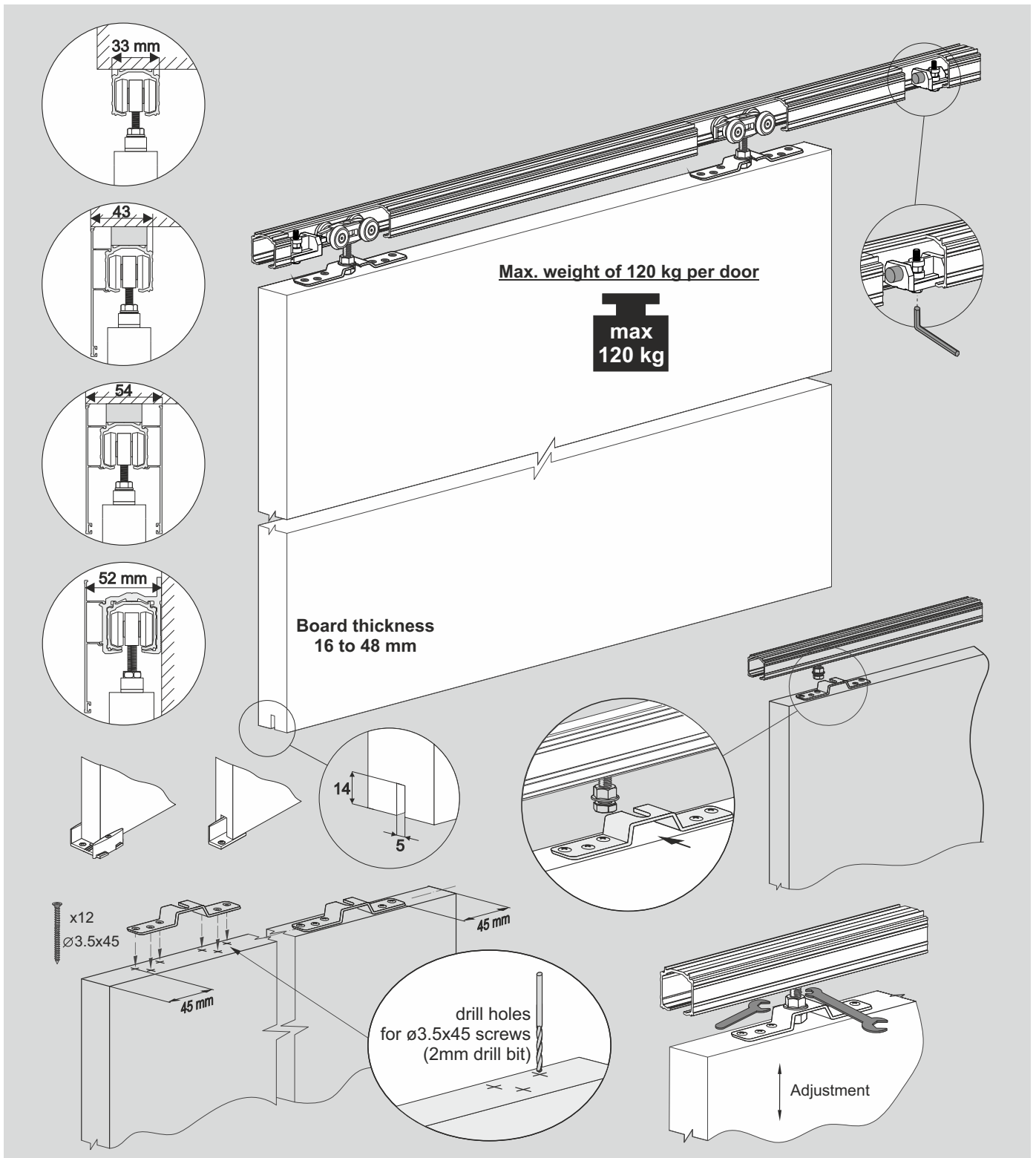
Masking fascia Herakles
L: 1.20 m, 1.80 m, 3.00 m, 3.60 m
Anti-dust brush (inserted) 4.8 x 13
14
89

Sleeve spacer
25
13

Wall bracket Herakles
42
52

Mounting plate Herakles for wooden fascia
89
80
Screw 3.5x10

Soft-close Herakles
x1
x1 x2
40 kg - index 20392
80 kg - index 20393



COMPONENTS

Top track Herakles

L: 1.20 m, 1.80 m, 3.00 m, 3.60 m

Pathway door set ZPH-18 (Herakles) 120 kg

x2

Carriage Herakles 120 kg

Flat spanner 6/13

Flat spanner 13

x2

Stopper Herakles

Allen key 4

Screw 3.5x45 - 12 pcs

Universal guide

OPTIONS

Masking fascia Herakles

L: 1.20 m, 1.80 m, 3.00 m, 3.60 m

Anti-dust brush (inserted) 4.8 x 13

Sleeve spacer

Wall bracket Herakles

Mounting plate Herakles for wooden fascia

Screw 3.5x10

Soft-close Herakles

x1

x1

x2

40 kg - index 20392
80 kg - index 20393



1. Track within the opening

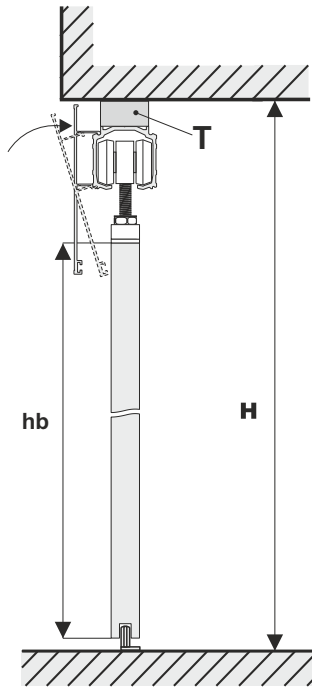
Board height - hb:

$$hb = H - 81 \text{ mm}$$

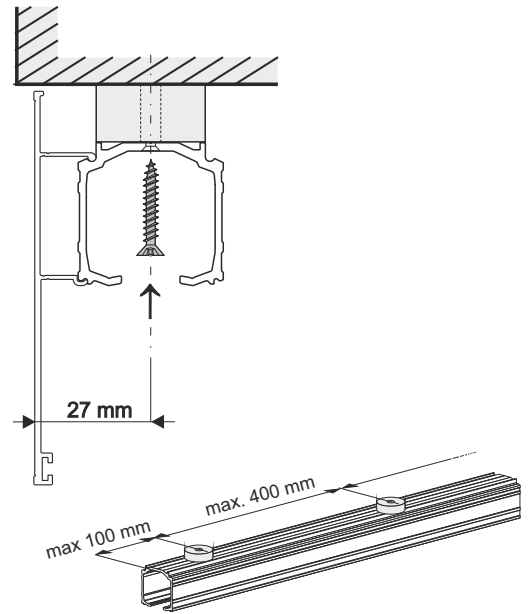
H - height of the opening

Without sleeve spacer **T**

$$hb = H - 68 \text{ mm}$$



Top fastening of HERAKLES track
- max. weight of 80 kg, 120 kg per door

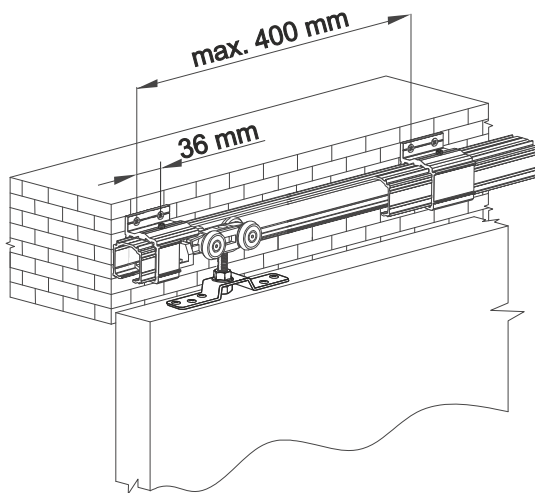


2. Track outside the opening

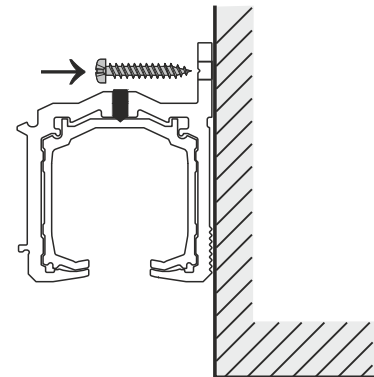
Board height hb:

$$hb = H - 79 \text{ mm}$$

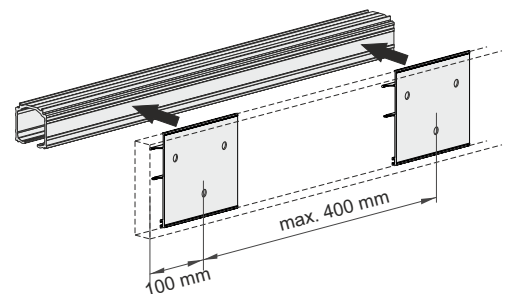
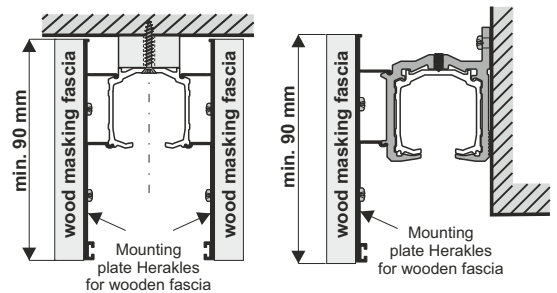
H - height from floor base to top of track



Side fastening of HERAKLES track
- max. weight of 80 kg, 120 kg per door



Wooden masking fascia installation



ATTENTION!

In cases that it will not be possible to insert carriages after the installation of the top track, carriages should be inserted prior to track installation.

ATTENTION!

Remove protective film from aluminium elements (handles, tracks, connectors, etc.) prior to cutting them to the desired size. Film removal will reveal quality issues (eg. scratches)