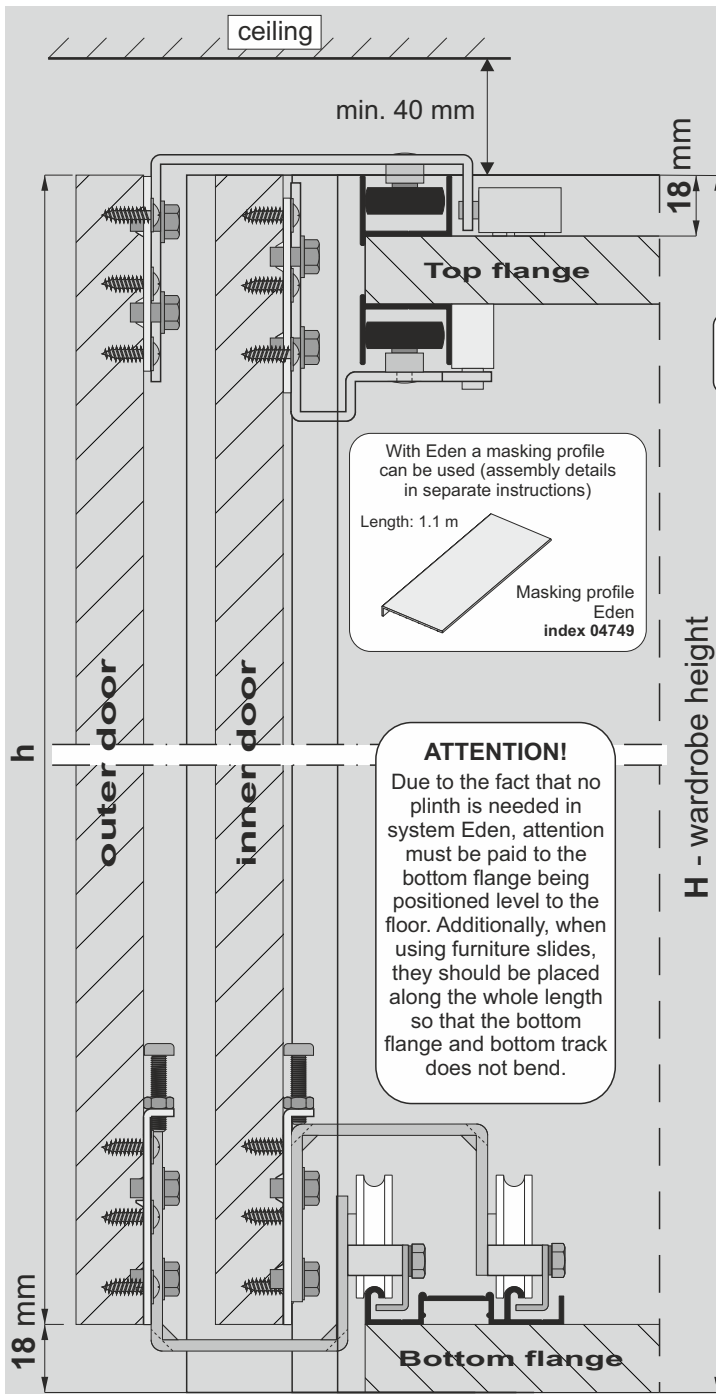




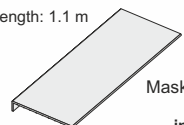
SYSTEM

EDEN 18 BOARD – 3 door wings



With Eden a masking profile can be used (assembly details in separate instructions)

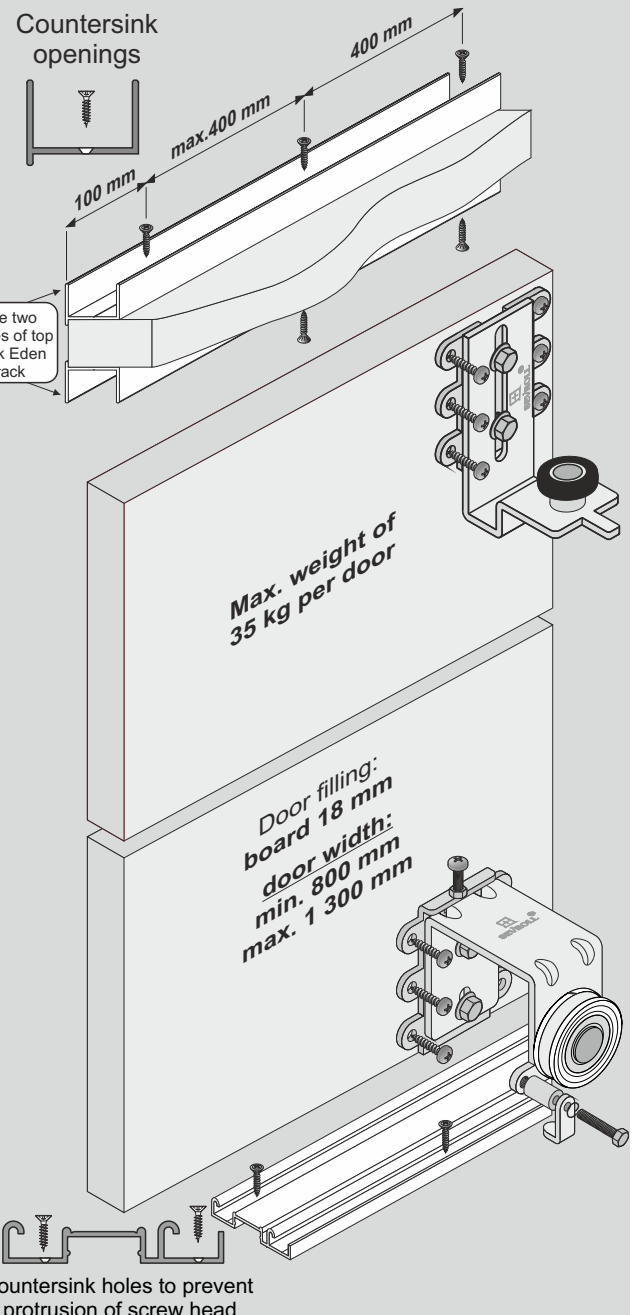
Length: 1.1 m



Masking profile
Eden
index 04749

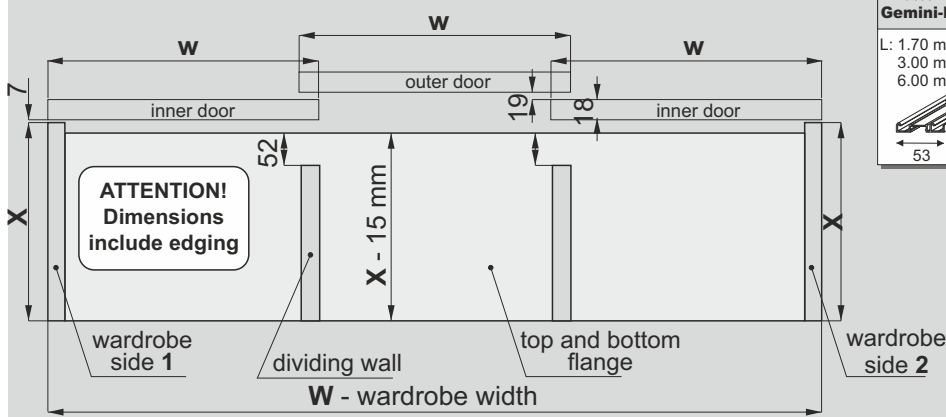
ATTENTION!

Due to the fact that no plinth is needed in system Eden, attention must be paid to the bottom flange being positioned level to the floor. Additionally, when using furniture slides, they should be placed along the whole length so that the bottom flange and bottom track does not bend.

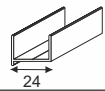
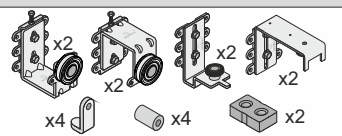
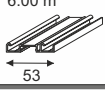
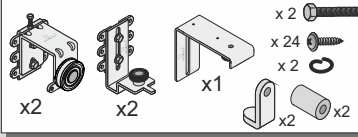

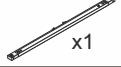


door height - h h = H - 18 mm

door width - w w = (W + 72 mm) : 3



COMPONENTS

- | | |
|--|--|
| <p>Top track Eden</p> <p>L: 1.70 m, 2.35 m, 3.00 m, 6.00 m</p>  <p>24</p> | <p>Set for sliding door Eden – 2 door wings (inner and outer)</p>  <p>x4</p> <p>x2</p> <p>x2</p> <p>x2</p> <p>x2</p> <p>x2</p> <p>x4</p> <p>x4</p> <p>x2</p> |
| <p>Bottom track Gemini-Decor II</p> <p>L: 1.70 m, 2.35 m, 3.00 m, 4.05 m, 6.00 m</p>  <p>53</p> | <p>3.5x20 x 4</p> <p>M4x20 x 4</p> <p>3.9x13 x 48</p> <p>4 x 4</p> |
| <p>Set for Eden - 1 door wing (inner)</p>  <p>x2</p> <p>x2</p> <p>x1</p> <p>x2</p> <p>x2</p> <p>x2</p> | |
| <p>Soft-close</p> <p>MINI SV-25 (index: 20359-SV) or MINI SV-40 (index: 20260-SV)</p>  <p>x4</p> <p>Central SV-25 (20360-BL) or Central SV-40 (20297-BL)</p>  <p>x1</p> | |

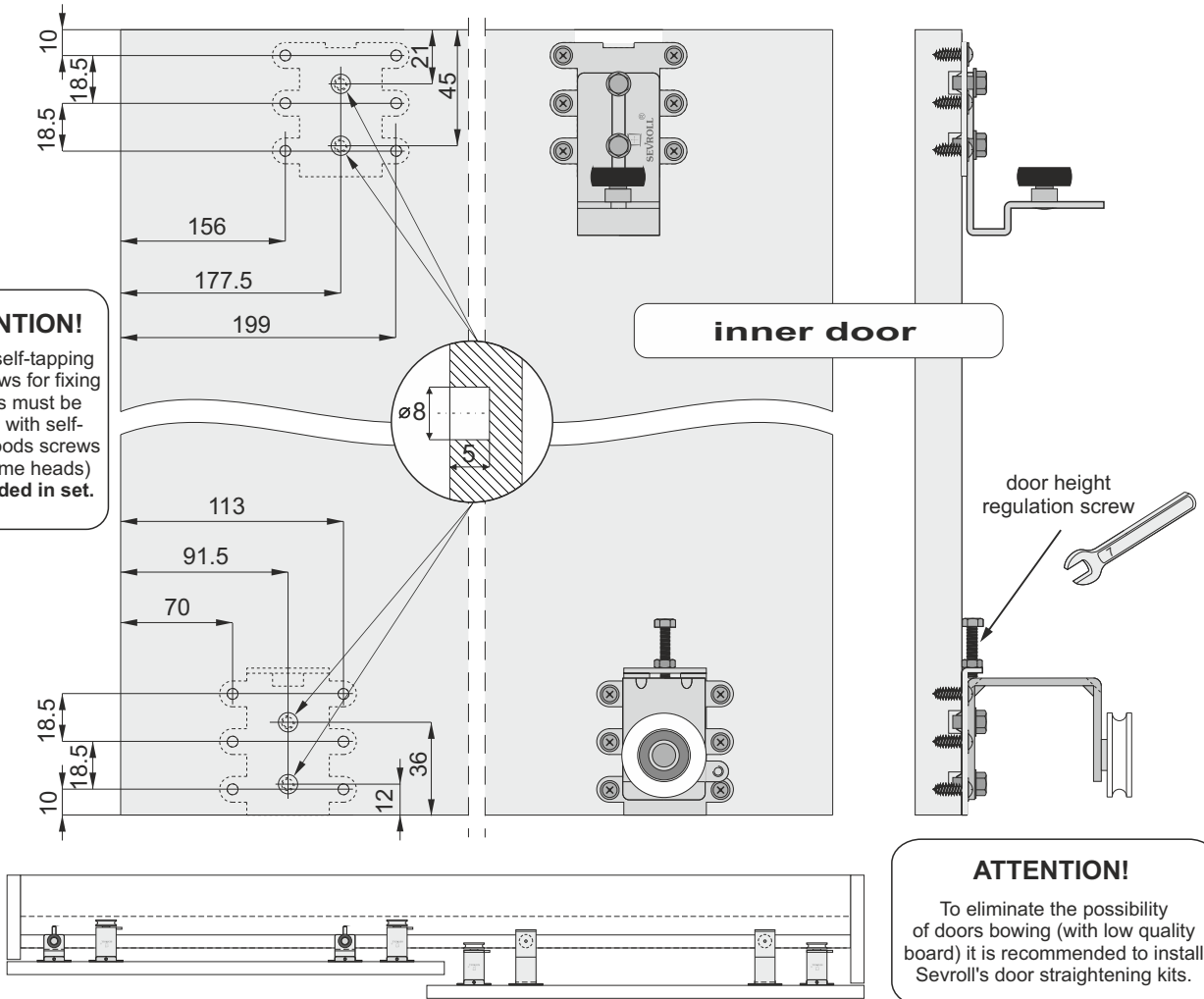


SYSTEM

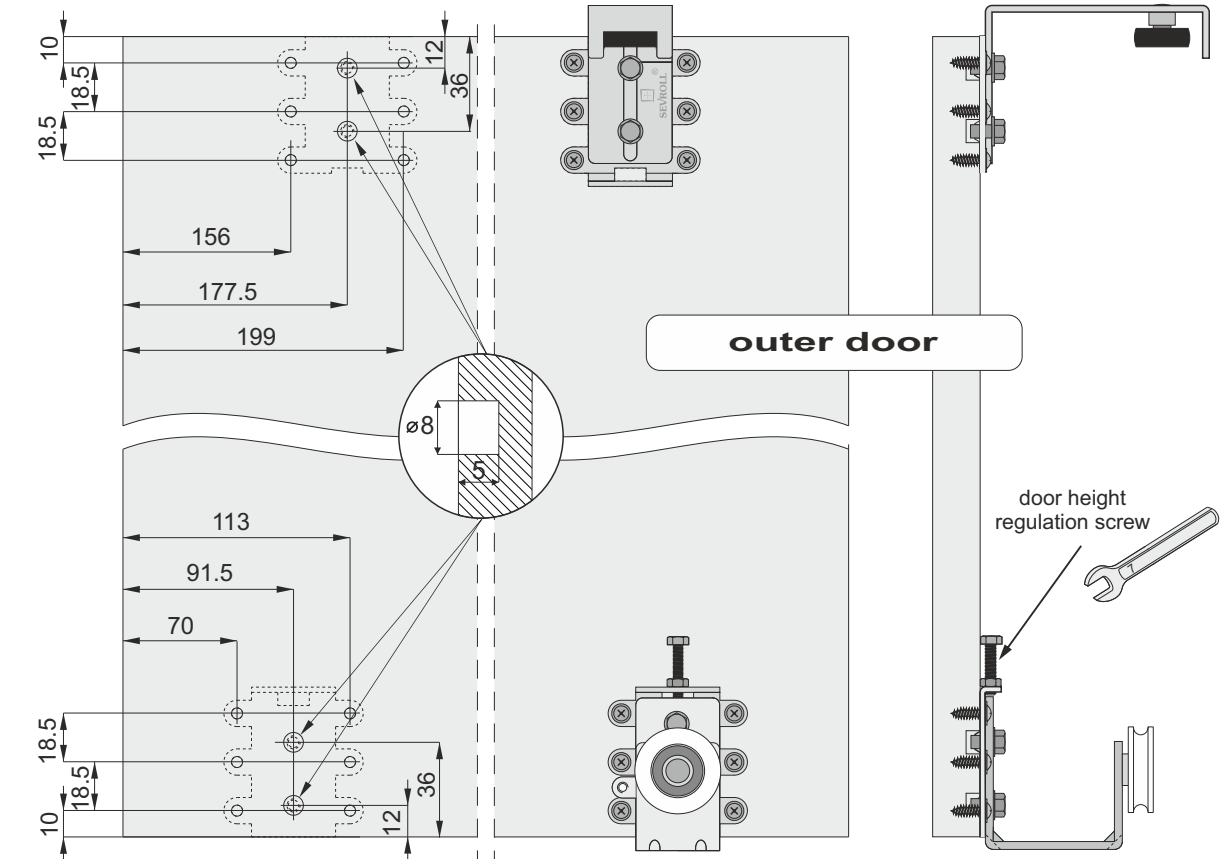
EDEN 18 BOARD – 3 door wings



ATTENTION!
 Included self-tapping metal screws for fixing carriages must be replaced with self-tapping woods screws 4x16 (Dome heads) **Not included in set.**

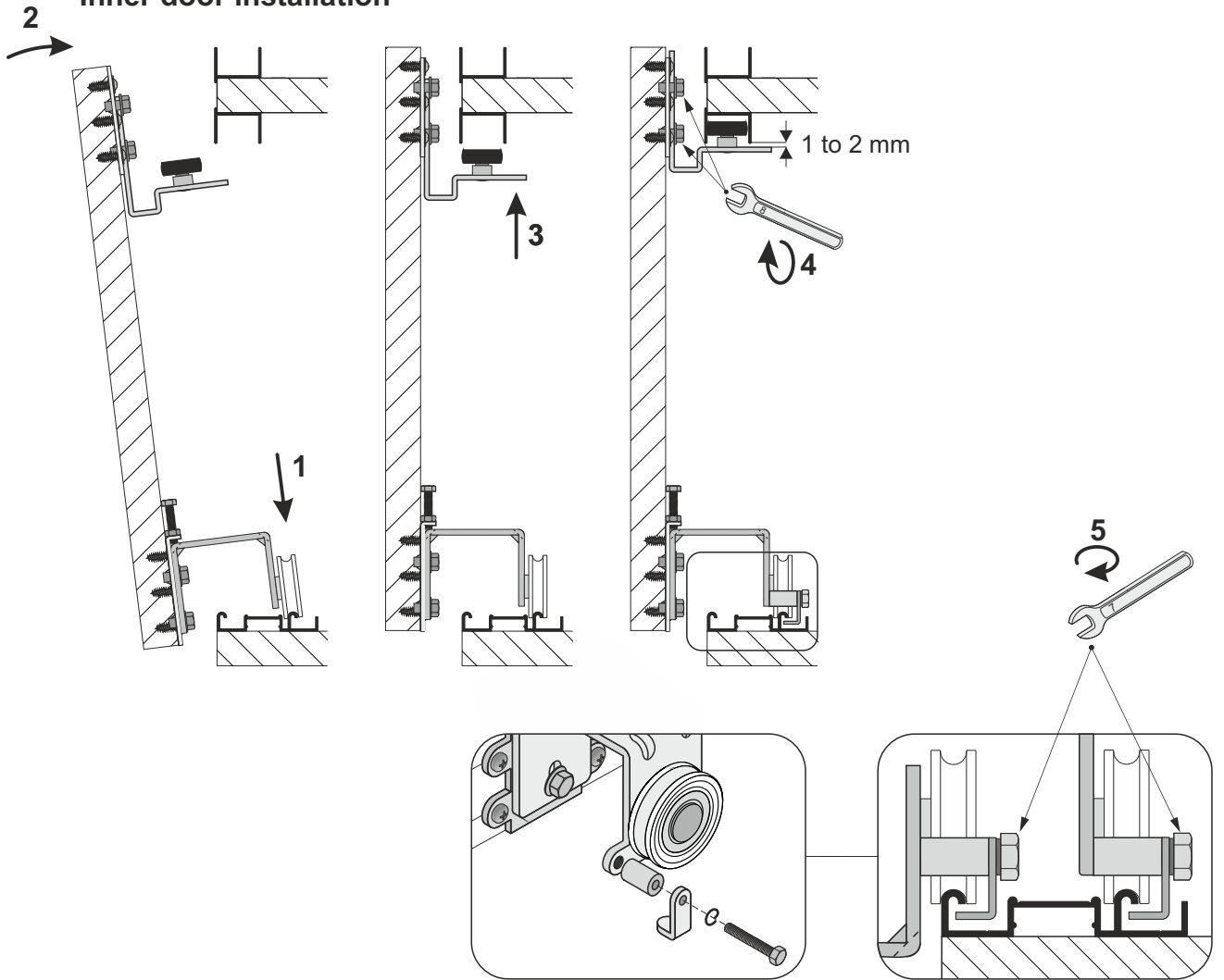


ATTENTION!
 To eliminate the possibility of doors bowing (with low quality board) it is recommended to install Sevroll's door straightening kits.

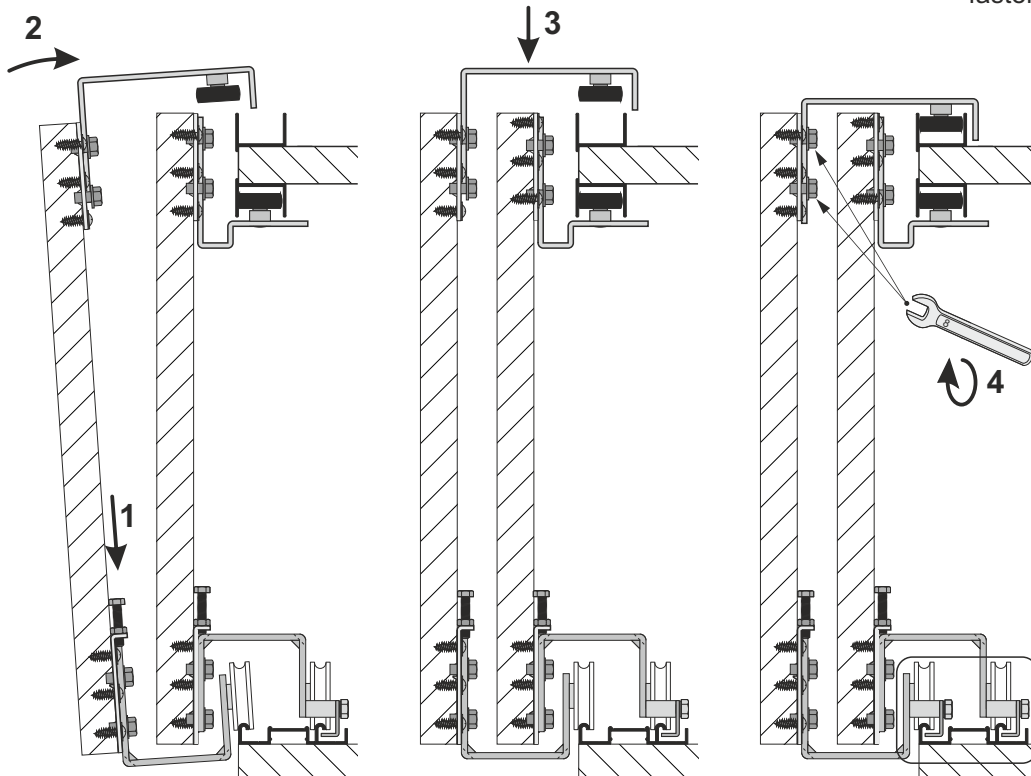




Inner door installation



Outer door installation





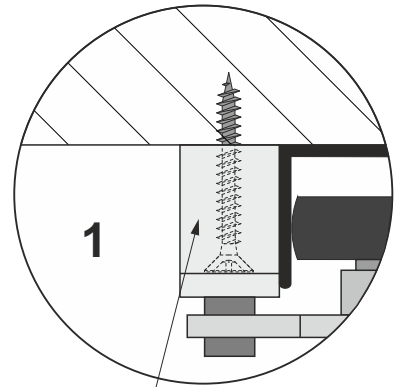
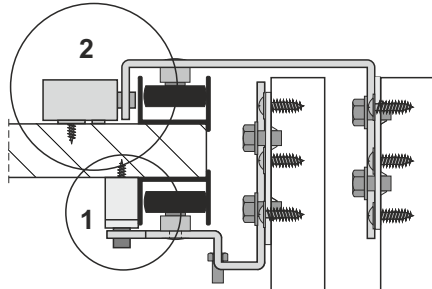
SYSTEM

EDEN 18 BOARD – 3 door wings

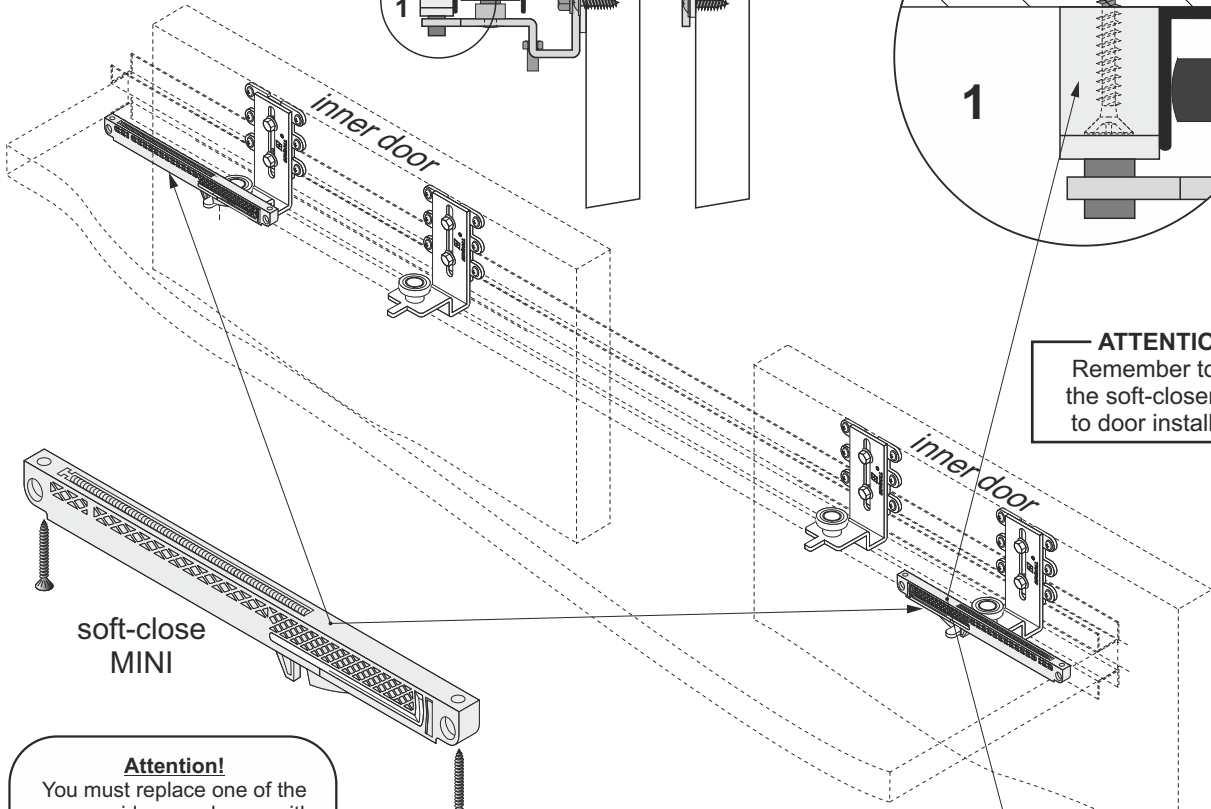


SEVROLL®

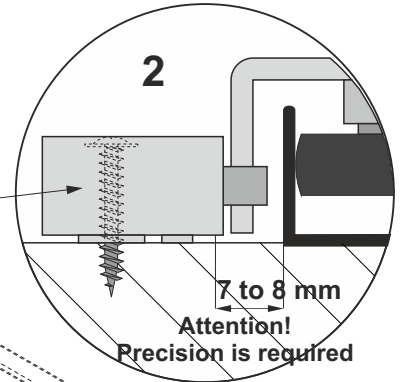
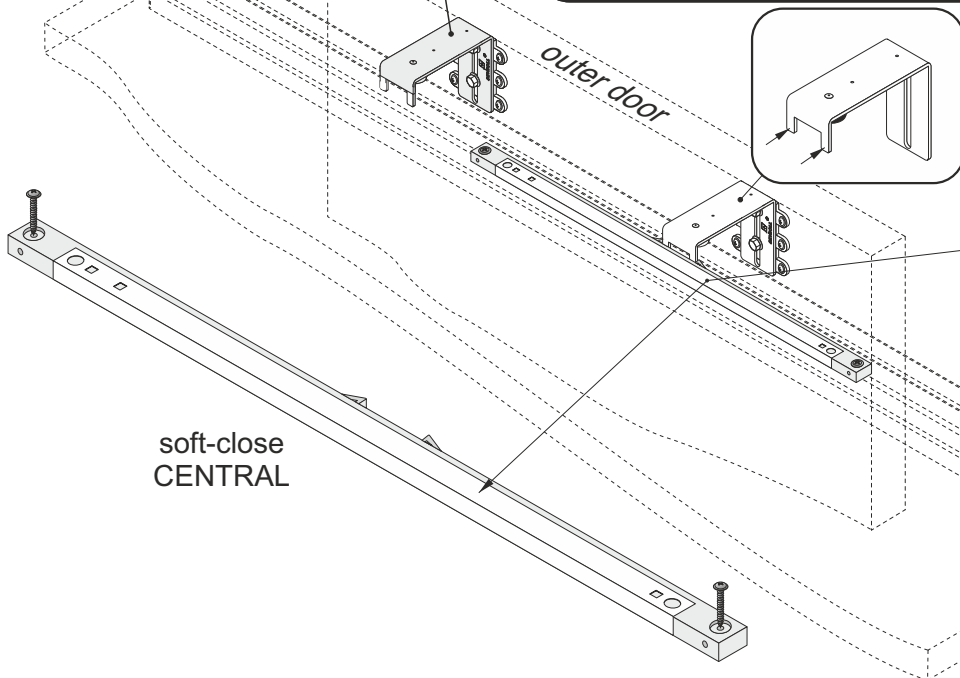
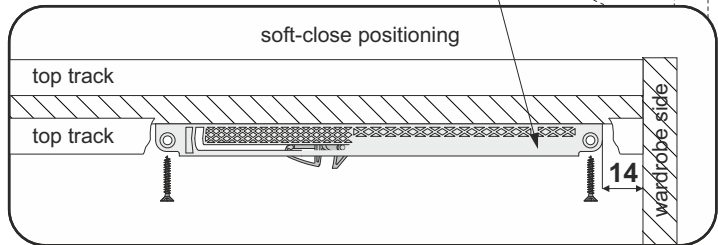
Soft-close installation



ATTENTION!
Remember to arm
the soft-closer prior
to door installation



Attention!
You must replace one of
the upper guides, as shown,
with the replacement found in 'set
for 1 sliding door Eden'



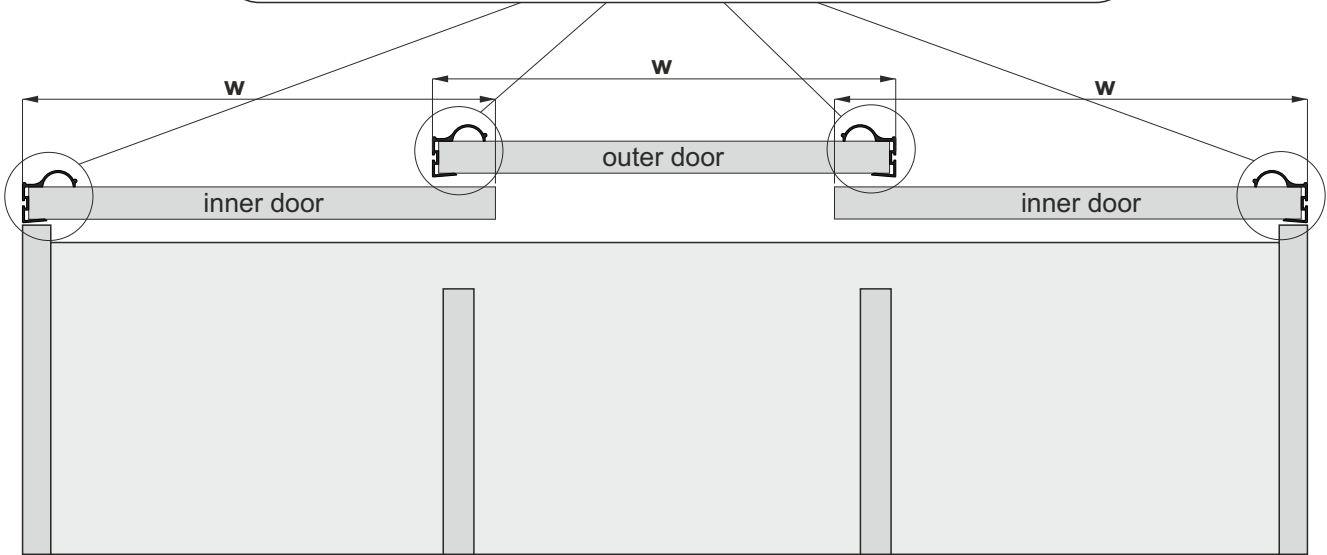


SYSTEM

EDEN 18 BOARD – 3 door wings

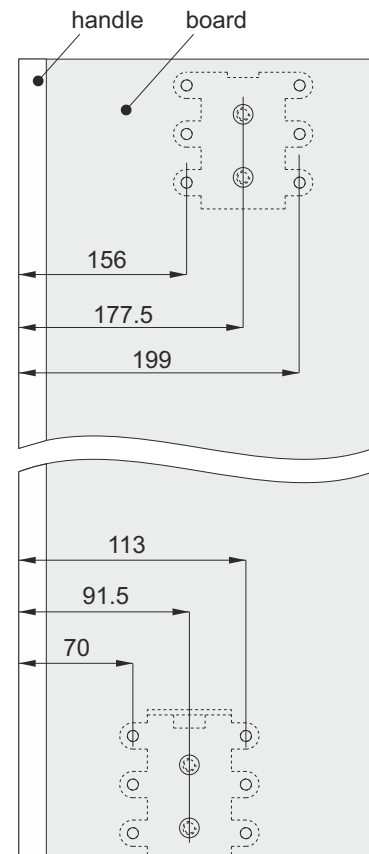


ATTENTION! With system **Eden Board** for use with **18 mm** board you can use handle profiles from our **Gemini 18** range.
Inner door/s - 1 handle
Outer door - 2 handles
(Door width calculations change)

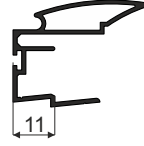
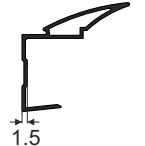
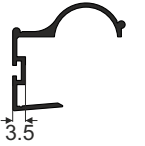
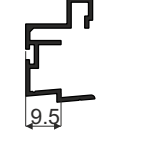
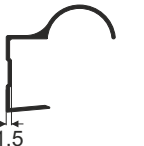
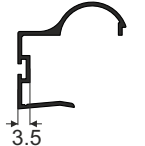
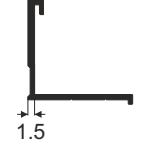
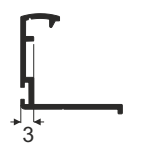
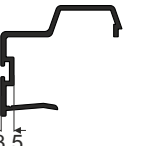
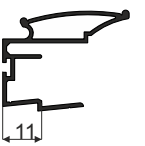


door width	- w	$w = (W + 72 \text{ mm}) : 3$
board width <i>(outer door)</i>	- wp_o	$wp_o = w - 2x$
board width <i>(inner door)</i>	- wp_i	$wp_i = w - x$

Carriage installation



The value of **x** depends on the handle profile used

 Alfa $x = 11 \text{ mm}$	 Beta $x = 1.5 \text{ mm}$	 Factor $x = 3.5 \text{ mm}$	 Faworyt $x = 9.5 \text{ mm}$
 Focus $x = 1.5 \text{ mm}$	 Focus II $x = 3.5 \text{ mm}$	 Secret Line $x = 1.5 \text{ mm}$	 Slim Line $x = 3 \text{ mm}$
 Universal $x = 3.5 \text{ mm}$	 Victoria $x = 11 \text{ mm}$		