

Max. weight of door 32 kg (2 x 16 kg)

t - door wing thickness (18 to 30 mm)
h - door wing height (max. 2600 mm)
w - door wing width (380 to 460 mm)

view from above

left set right set

ca. 200 mm

ATTENTION!
Dependent on customer needs, there are sets suitable for either left or right hinged doors

Positioning of handles:

1 - one long handle horizontally
(spacing of handle min. 192 mm)

or

2 - two handles horizontally
(by the edges of wing)

14 from interior surface of top flange

view from the middle of the wardrobe

14 from interior surface of top flange

view from the middle of wardrobe

soft-close mechanism (right)

view from below

For wardrobes with recessed doors it is recommended to install additional bumper stops

soft-close mechanism (right)

view from below

dimensions for overlay door

door wing width (mm)	regulation of mechanism arm length	B	C	D
375 to 385	1	179.5-S	152	(150)
385 to 395	2	184.5-S	155	(155)
395 to 405	3	189.5-S	158	(160)
405 to 415	4	194.5-S	161	(165)
415 to 425	5	199.5-S	164	(170)
425 to 435	6	204.5-S	167	(170)
435 to 445	7	209.5-S	170	(175)
445 to 455	8	214.5-S	173	(180)
455 to 465	9	219.5-S	176	(180)

dimensions for inset door

door wing width (mm)	regulation of mechanism arm length	B	C	D
375 to 385	1	179.5	152	(150)
385 to 395	2	184.5	155	(155)
395 to 405	3	189.5	158	(160)
405 to 415	4	194.5	161	(165)
415 to 425	5	199.5	164	(170)
425 + 435	6	204.5	167	(170)
435 + 445	7	209.5	170	(175)
445 + 455	8	214.5	173	(180)
455 + 465	9	219.5	176	(180)

COMPONENTS

Set for folding doors FOLD (Left or right)

mechanism for folding doors Fold

assembly plate

stopper

screw 3.5x15 (mechanism) - 4 pcs

screw 3.5x25 (stopper, handle) - 3 pcs

screw M4x6 (handle) - 1 pc.

EXTRA COMPONENTS

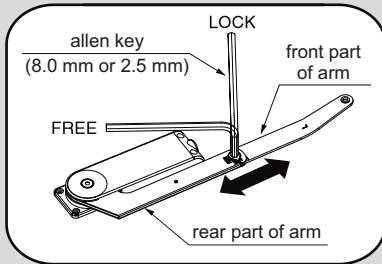
Hinge ø35 clip on with soft close

1 inset (223034)
2 full overlay (223032) x2

Clip hinge

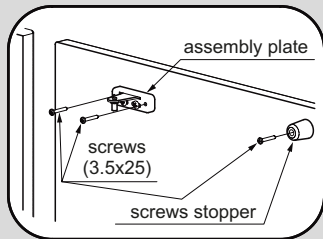
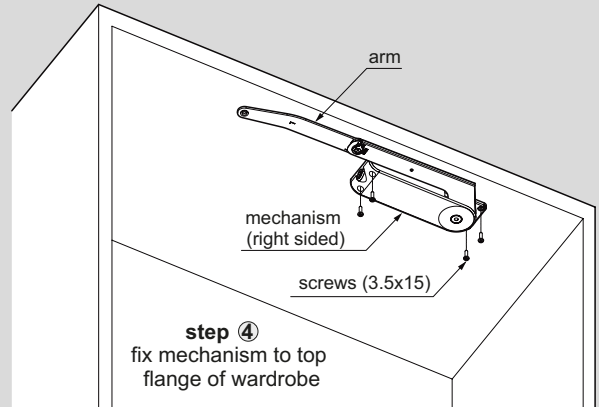
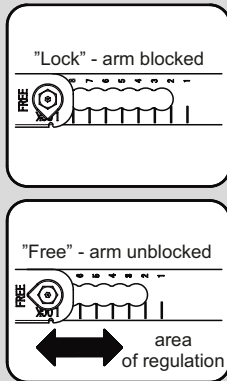
step 1 and 3

unlock / block folding door mechanism's arm

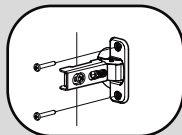


step 2

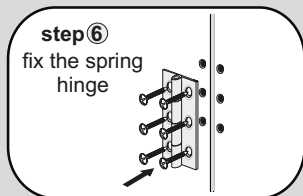
set required length of folding door mechanism's arm



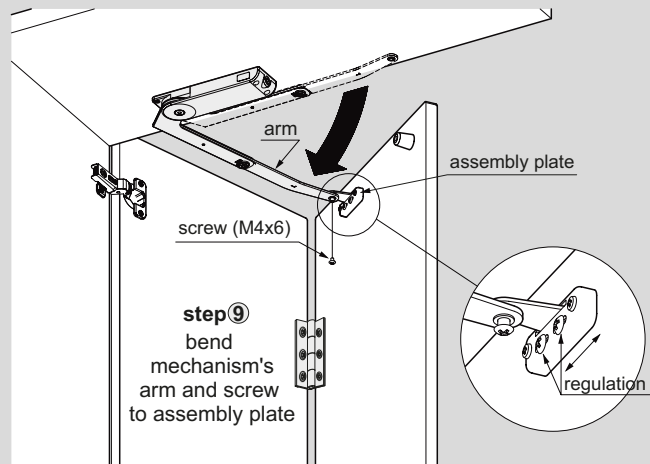
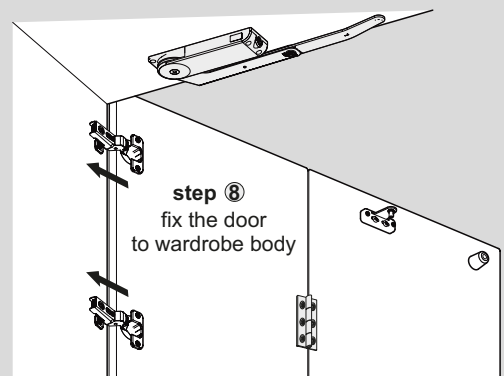
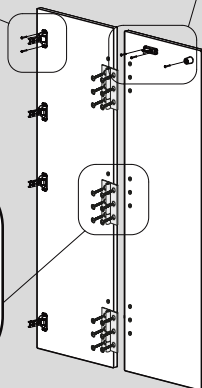
step 5
fix stopper and assembly plate



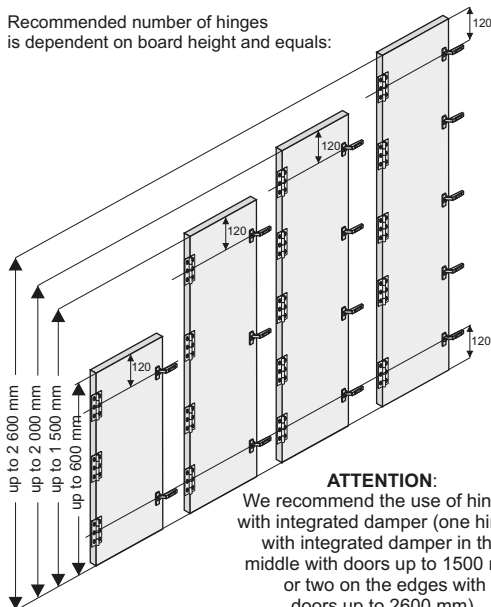
step 7
fix the hinges



step 6
fix the spring hinge



Recommended number of hinges is dependent on board height and equals:



ATTENTION:

We recommend the use of hinges with integrated damper (one hinge) with integrated damper in the middle with doors up to 1500 mm or two on the edges with doors up to 2600 mm)

