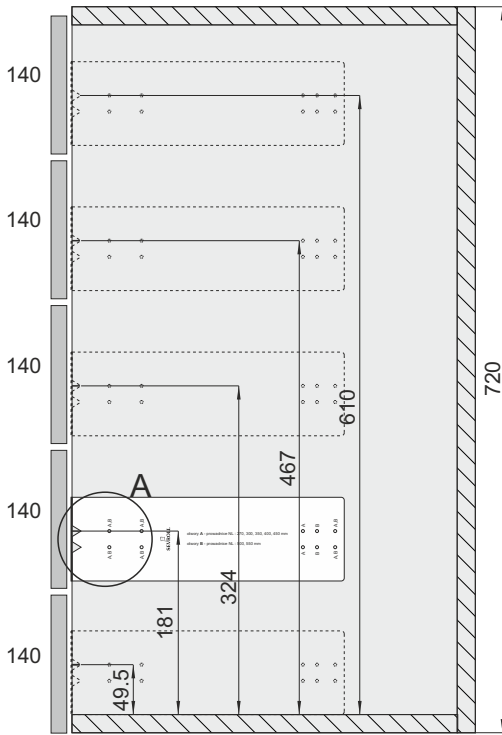
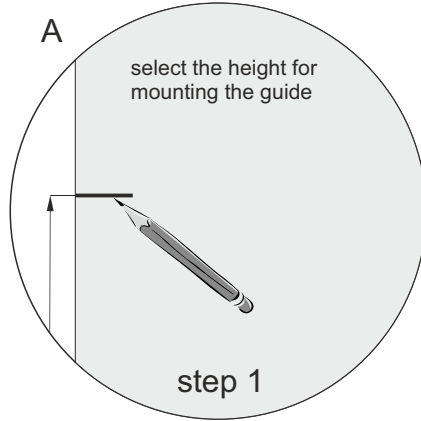


Marking holes for attaching the guides to Sevrollbox Slim drawers with **overlays** fronts

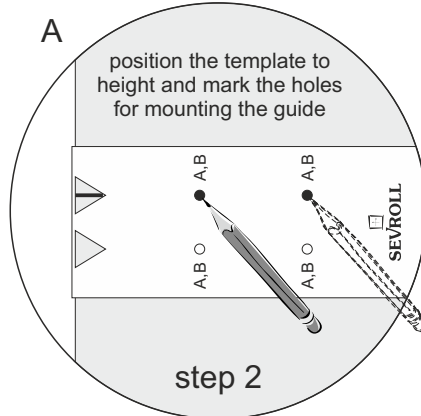
The height of Sevrollbox Slim guides in furniture carcasses (height 720 mm)
- 4 variants



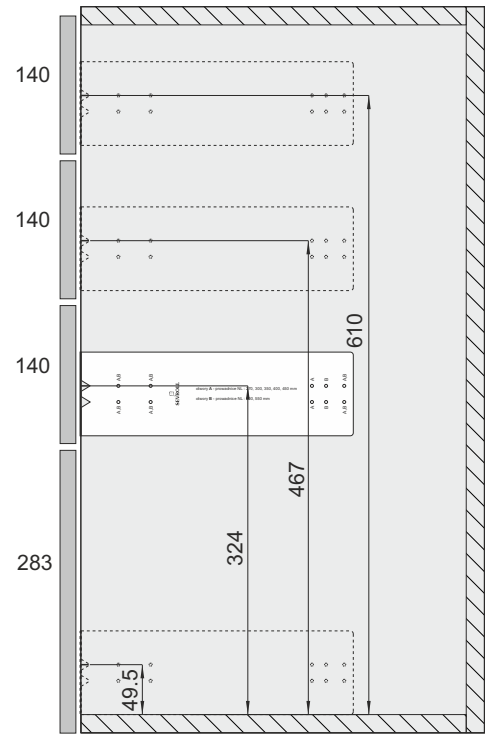
variant 1- x5



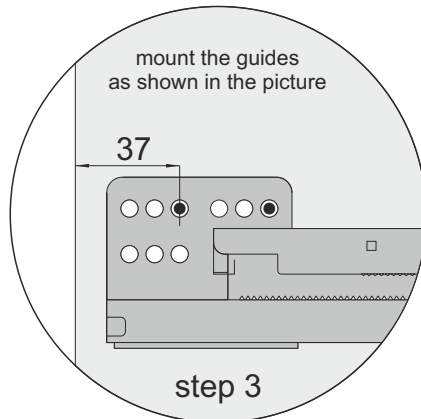
step 1



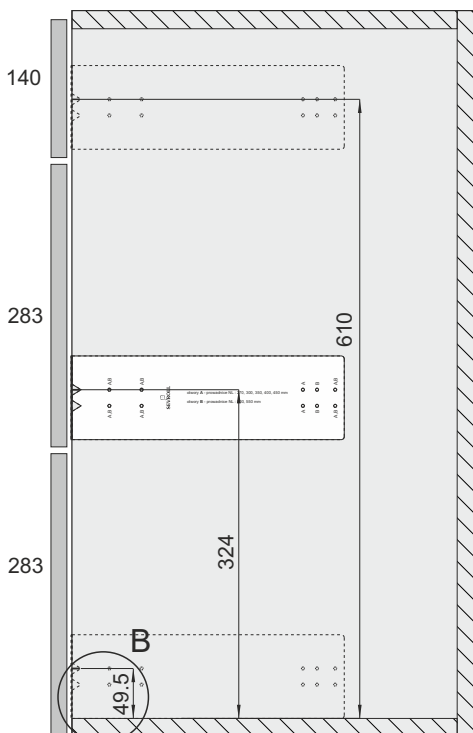
step 2



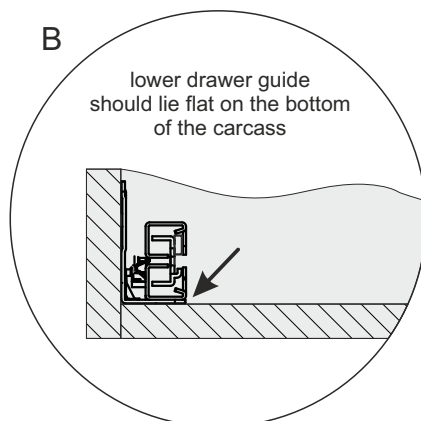
variant 2 - 3+1



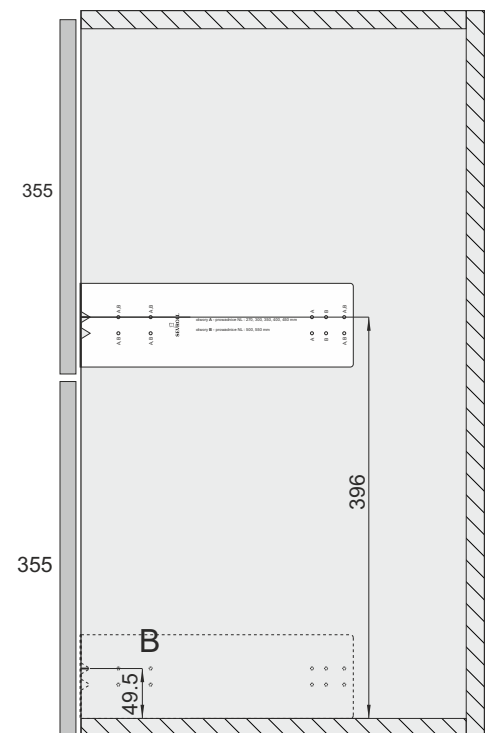
step 3



variant 3 - 1+2



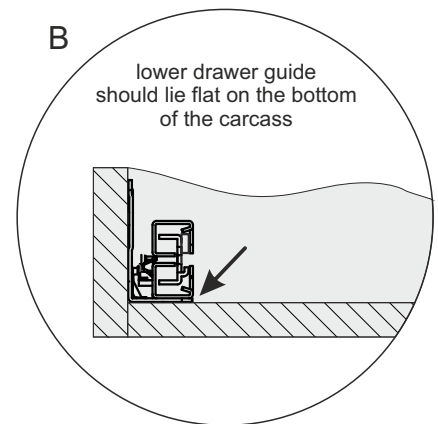
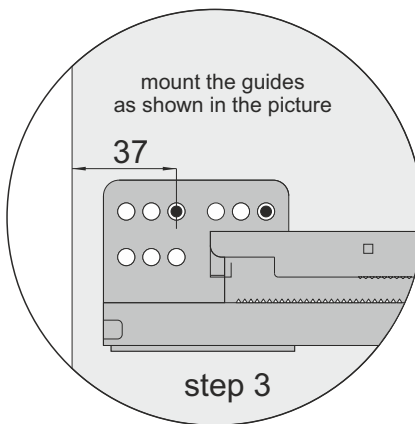
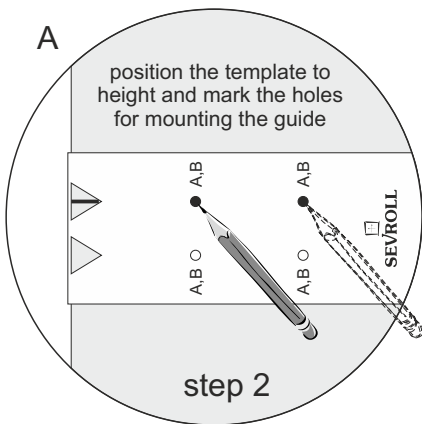
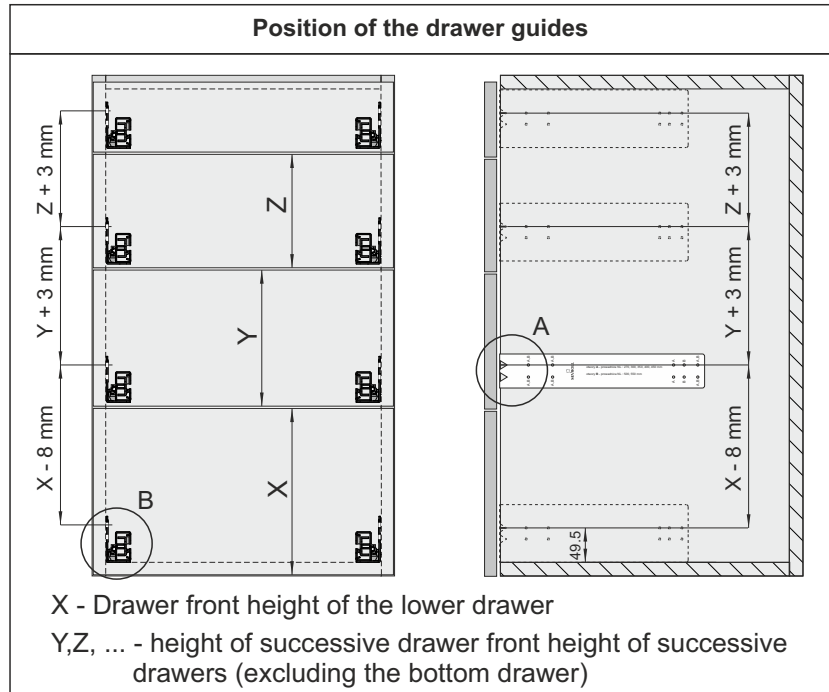
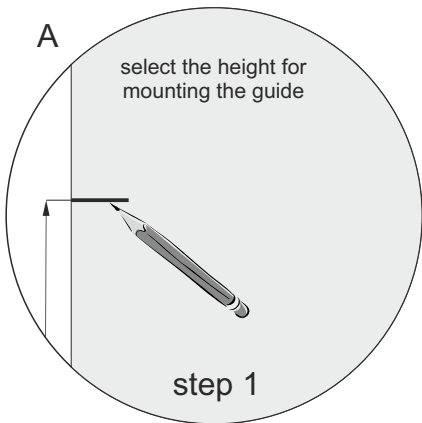
lower drawer guide should lie flat on the bottom of the carcass

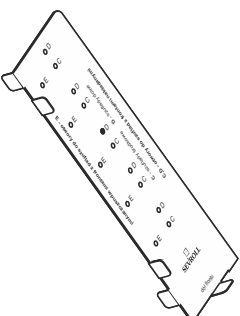
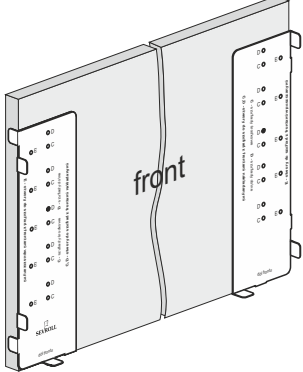


variant 4 - x2

Marking holes for attaching the guides to Sevrollbox Slim drawers
with **overlays** fronts

Any height of carcass, quantity and drawer front height



Important information

Sevroll's offer also includes the template Sevrollbox Slim for drawer fronts (**index: 05338**). This is used for marking the holes to mount drawer fronts to Sevrollbox Slim drawers.