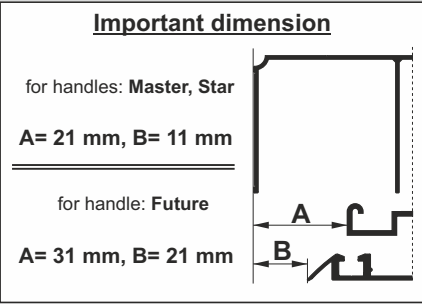


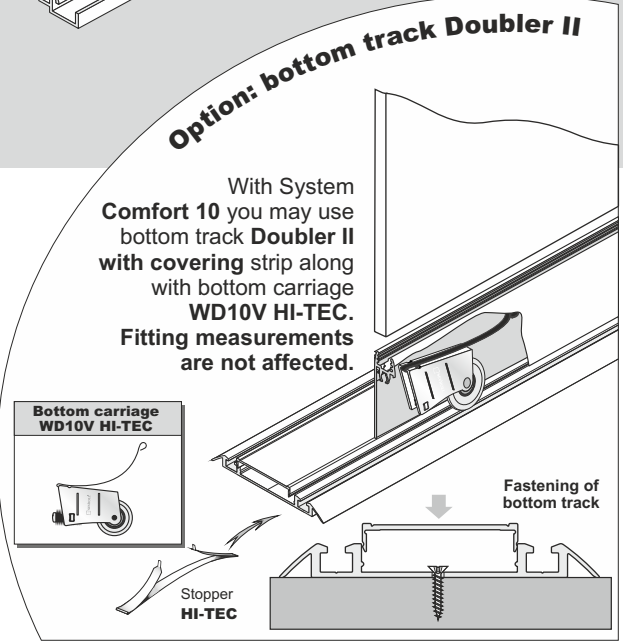
ATTENTION:
In order to drill handle holes precisely and quickly, we recommend using our drill jig
index 20173

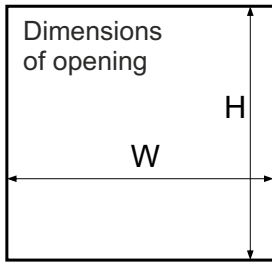


COMPONENTS

<p>Handle</p> <p>L: 2.70 m 3.50 m</p> <p>L: 2.70 m 3.00 m</p> <p>L: 2.70 m 3.00 m</p> <p>FUTURE II MASTER STAR</p>			<p>Horizontal profile Decor (A)</p> <p>Upper horizontal profile Decor (B)</p> <p>L: 1.70 m 2.35 m 3.00 m</p> <p>L: 1.70 m 2.35 m 3.00 m</p>	
<p>Guiding carriage</p> <p>FUTURE or MASTER</p>	<p>Bottom carriage WD10C HI-TEC</p>	<p>Top track Comfort-Decor</p> <p>L: 1.70 m, 2.35 m 3.00 m, 4.05 m 6.00 m</p> <p>94 mm</p>	<p>Bottom track Comfort</p> <p>L: 1.70 m, 2.35 m 3.00 m, 4.05 m 6.00 m</p> <p>62 mm</p>	

You must remember to purchase self-tapping screws to construct each door (4 screws per door). When using safety glass or mirror, you must also remember to purchase gasket.

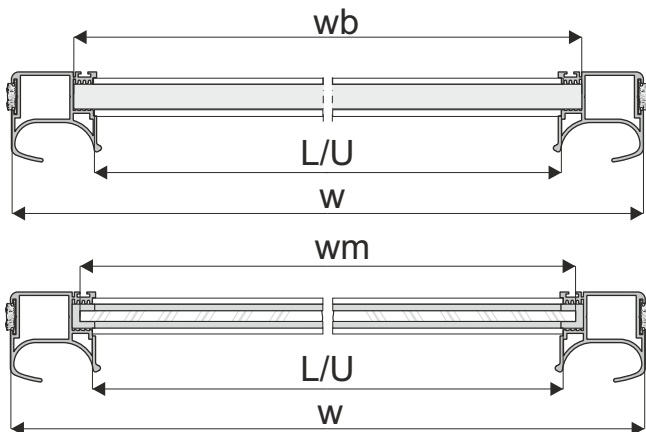




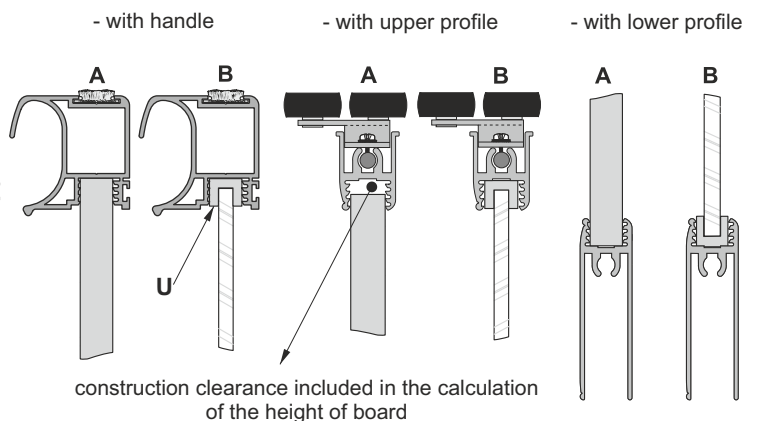
		Handle length = door height					
		LINE FUTURE		LINE MASTER		LINE STAR	
		Handle Future II anti-dust brush (inserted) 4.8 mm x 13 mm	Guiding carriage FUTURE	Handle Master	Guiding carriage MASTER	Handle Star	Guiding carriage MASTER
door height	- h	h = H - 40 mm		h = H - 40 mm		h = H - 40 mm	
door wing height with soft-close fitted		Mini SV25/40/60 SV-25/50	h = H - 40 mm	Mini SV25/40/60 SV-25/50	h = H - 40 mm	Mini SV25/40/60 SV-25/50	h = H - 40 mm
		Top SV60/80, Central SV25/40	h = H - 44 mm	Top SV60/80, Central SV25/40	h = H - 44 mm	Top SV60/80, Central SV25/40	h = H - 44 mm
board height	- hb	hb = h - 64 mm		hb = h - 64 mm		hb = h - 64 mm	
door width	- w	w = (W - 3 mm + Z) : N		w = (W - 3 mm + Z) : N		w = (W - 3 mm + Z) : N	
board width	- wb	wb = w - 51 mm		wb = w - 25 mm		wb = w - 40 mm	
horizontal profile length	- L	L = U = w - 68 mm		L = U = w - 42 mm		L = U = w - 57 mm	
upper horizontal profile length	- U						
mirror height	- hl	hl = hb		hl = hb		hl = hb	
mirror width	- wl	wl = wb - 4 mm		wl = wb - 4 mm		wl = wb - 4 mm	

number of doors	- N	2	3	4	5	2	3	4	5	2	3	4	5
total overlap	- Z	37 mm	74 mm	111 mm	148 mm	22 mm	44 mm	66 mm	88 mm	30 mm	60 mm	90 mm	120 mm

visual design – 4 wings			
	$w = (W - 3 + 111) : 4$	$w = (W - 3 + 66) : 4$	$w = (W - 3 + 90) : 4$
	$w = (W : 2 + 34) : 2$	$w = (W : 2 + 19) : 2$	$w = (W : 2 + 27) : 2$



Installation method for fitting 10 mm board (diag. A) and 4 mm mirror or glass (diag. B)



ATTENTION!

Mirror (4 mm) should be used with a safety backing film. Safety glass (4.5 mm) comprises of two thin layers with a film in-between. Both mirror and glass need fitting gaskets U.

ATTENTION!

Remove protective film from aluminium elements (handles, tracks, connectors, etc.) prior to cutting them to the desired size. Film removal will reveal quality issues (eg. scratches)