

Components:

Drawer SEVROLLBOX SLIM
h = 84 mm / h = 167 mm / h = 199 mm

Length: 270 [mm]
300
350
400
450
500
550

Universal drawer front base profile for internal drawer SEVROLLBOX SLIM

Universal drawer front railing for internal drawer SEVROLLBOX SLIM

Only for use with SEVROLLBOX SLIM
h = 167 mm and h = 199 mm

Set for internal drawer SEVROLLBOX SLIM h = 84 mm

3.9x20
Screws for "drawer front base profile"
M3x7
screws for "Set for internal drawer"

Set for internal drawer SEVROLLBOX SLIM h = 167 mm

3.9x20
Screws for "drawer front base profile"
M3x7
screws for "Set for internal drawer"

Set for internal drawer SEVROLLBOX SLIM h = 199 mm

3.9x20
Screws for "drawer front base profile"
M3x7
screws for "Set for internal drawer"

Cutting dimensions of profiles

Universal drawer front base profile: $L_p = LW - 100 \text{ mm}$

Universal drawer front railing: $L_r = LW - 87 \text{ mm}$

NL : 270 [mm]
300
350
400
450
500
550

LW – internal width of carcass
NL – nominal length of the drawer

Calculations for the back wall and base of the drawer can be found in the instructions SEVROLLBOX SLIM

Mounting dimensions

SEVROLLBOX SLIM h = 84 mm

SEVROLLBOX SLIM h = 167 mm

SEVROLLBOX SLIM h = 199 mm

minimum carcass length: (NL + 3 mm)

Drawer with flush front

The front of the drawer sits level with the carcass edges

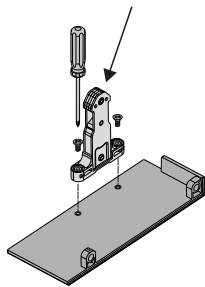
minimum carcass length: (NL + 12 mm)

Drawer with inset front

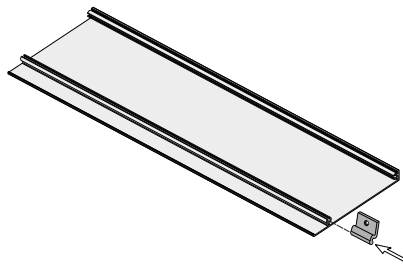
ATTENTION! To ensure that the drawers cover the high front applied, the guides should be taken back by 9 mm (one hole in the guide) into the carcass

Installing the drawer front for SEVROLLBOX SLIM h = 84 mm

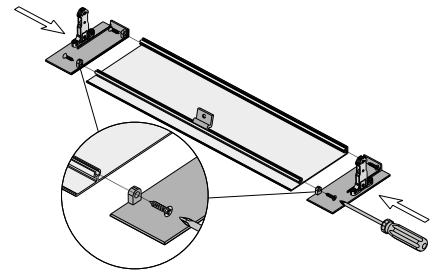
ATTENTION! Use the drawer Front catches supplied with your **Sevrollbox Slim** drawer h = 84 mm



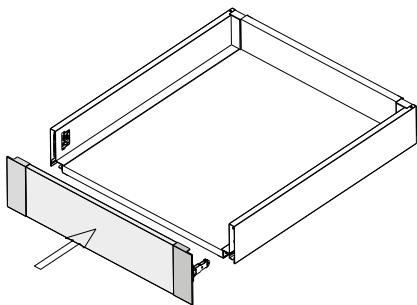
1



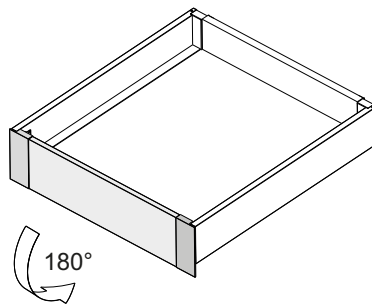
2



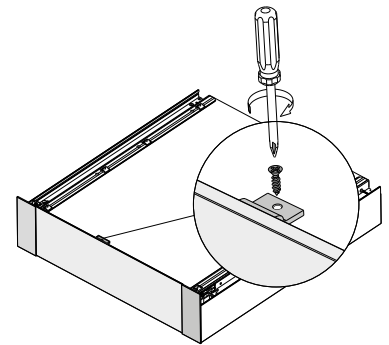
3



4



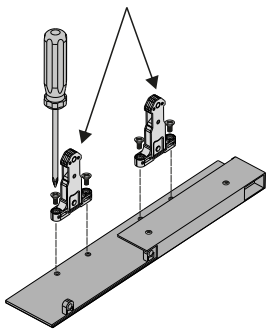
5



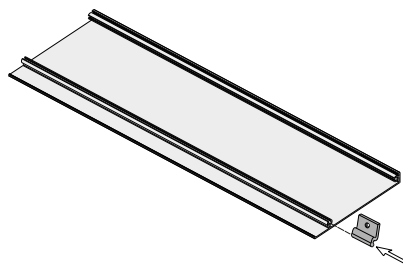
6

Installing the drawer front for SEVROLLBOX SLIM h = 167 mm and h = 199 mm

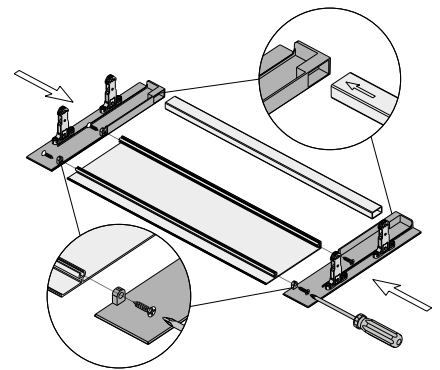
ATTENTION! Use the drawer Front catches supplied with your Sevrollbox Slim drawer



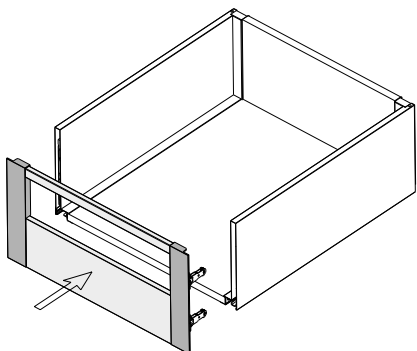
1



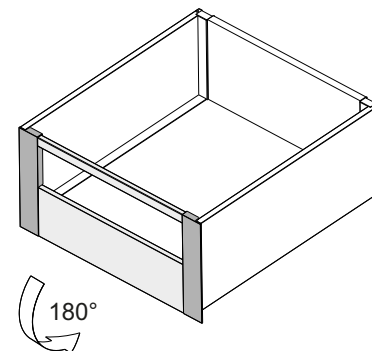
2



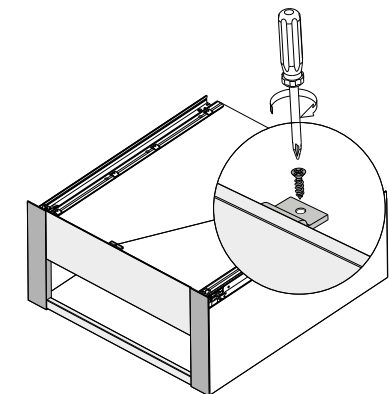
3



4



5



6