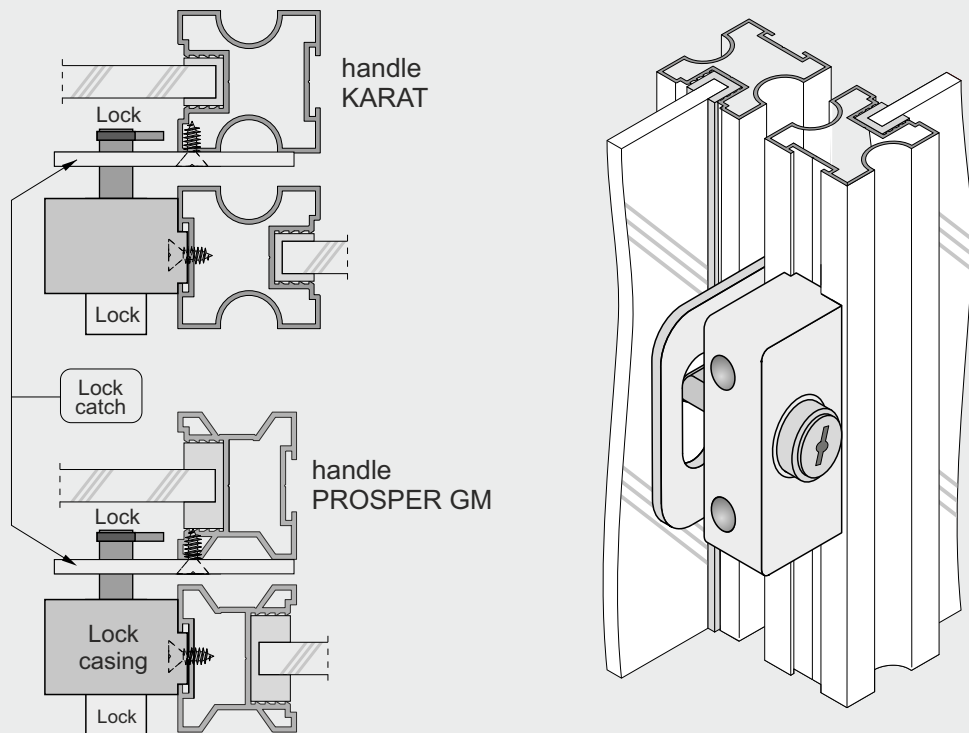


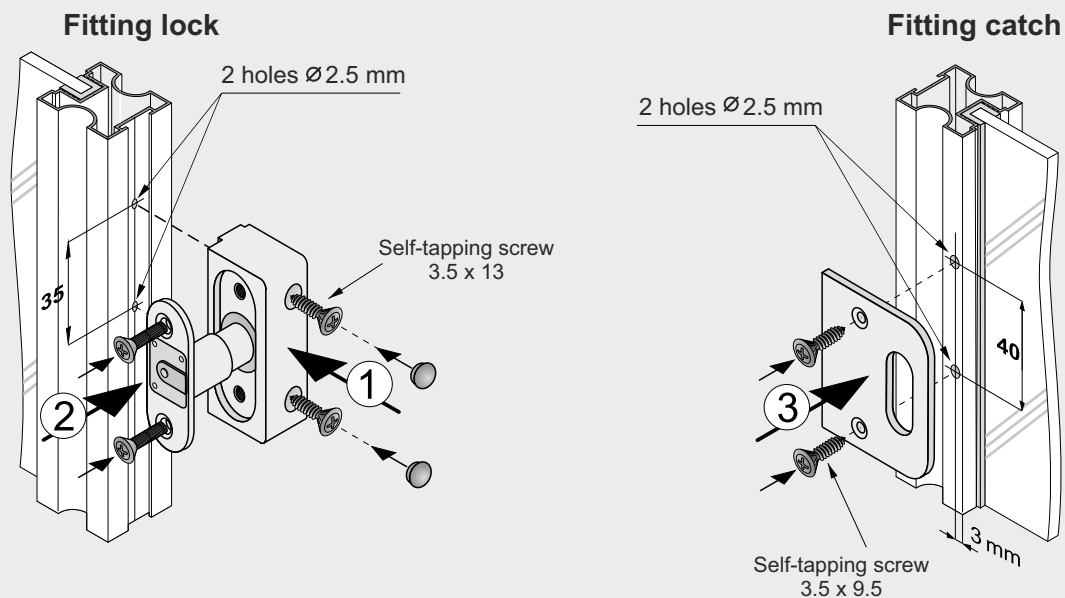
How to install a door lock to glass/mirror sliding doors

Suitable for systems **GEMINI 10** (Handle **KARAT**) and **GEMINI 18 Frame** (Handle **PROSPER GM**)
 With either **glass** or **board fillings** (lock and catch are fixed to the handle profiles)

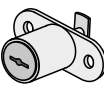
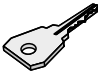
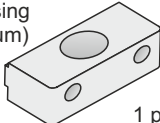
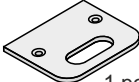




Lock and catch are fixed to the handle profiles



ATTENTION! follow assembly order



COMPONENTS

 Lock 1 pc.	 Key 2 pcs	 Lock casing (aluminium) 1 pc.	 Lock catch 1 pc.	 Screw M4 x 16 2 pcs	 Self-tapping screw 3.5 x 9.5 2 pcs	 Self-tapping screw 3.5 x 13 2 pcs	 Cover cap 2 pcs
--	---	--	--	--	---	--	---