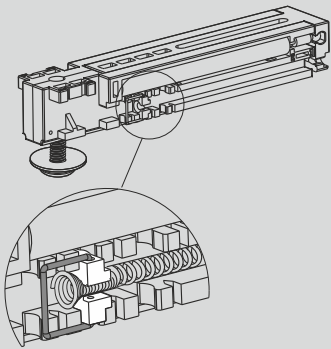
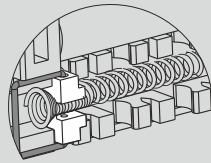




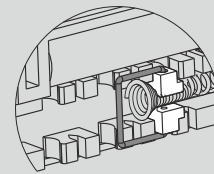
Montaż samodomykacza Herakles 40 kg lub 80 kg w systemie HERAKLES



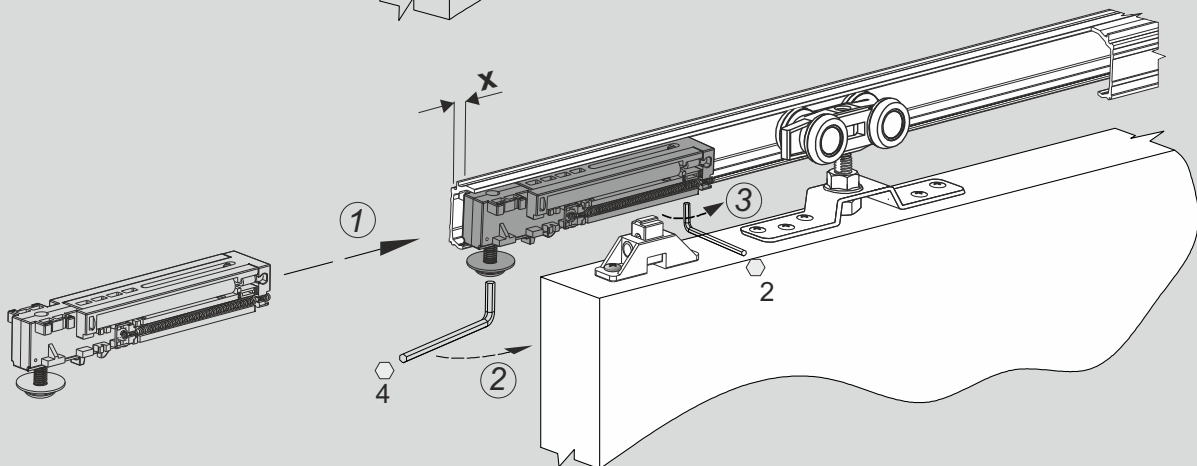
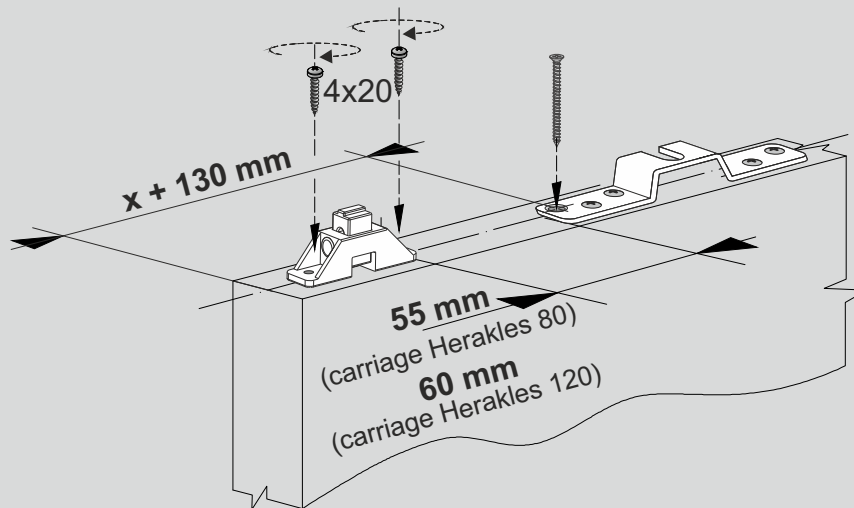
Regulation of the Herakles soft-closer



ATTENTION!
If the door soft-closes too slowly, increase the tension of the soft-close spring

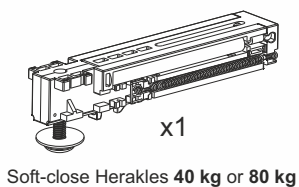


ATTENTION!
If the door soft-closes too quickly, decrease the tension of the soft-close spring

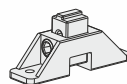


COMPONENTS

Soft-close for HERAKLES 40 kg or 80 kg top hung doors – set



Soft-close Herakles 40 kg or 80 kg



Herakles activator



Allen key 4 mm

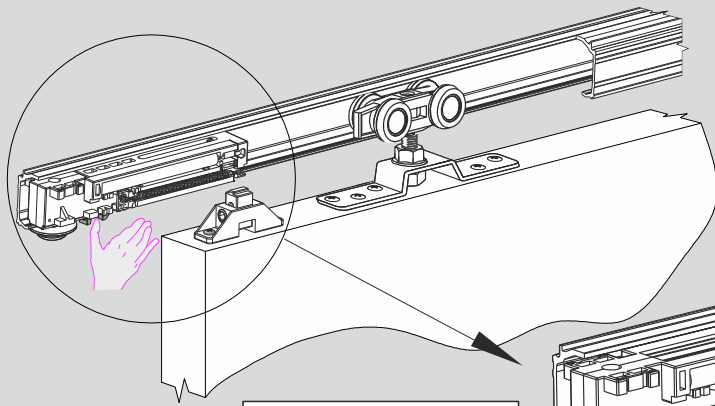
Allen key 2.5 mm

Allen key 2 mm

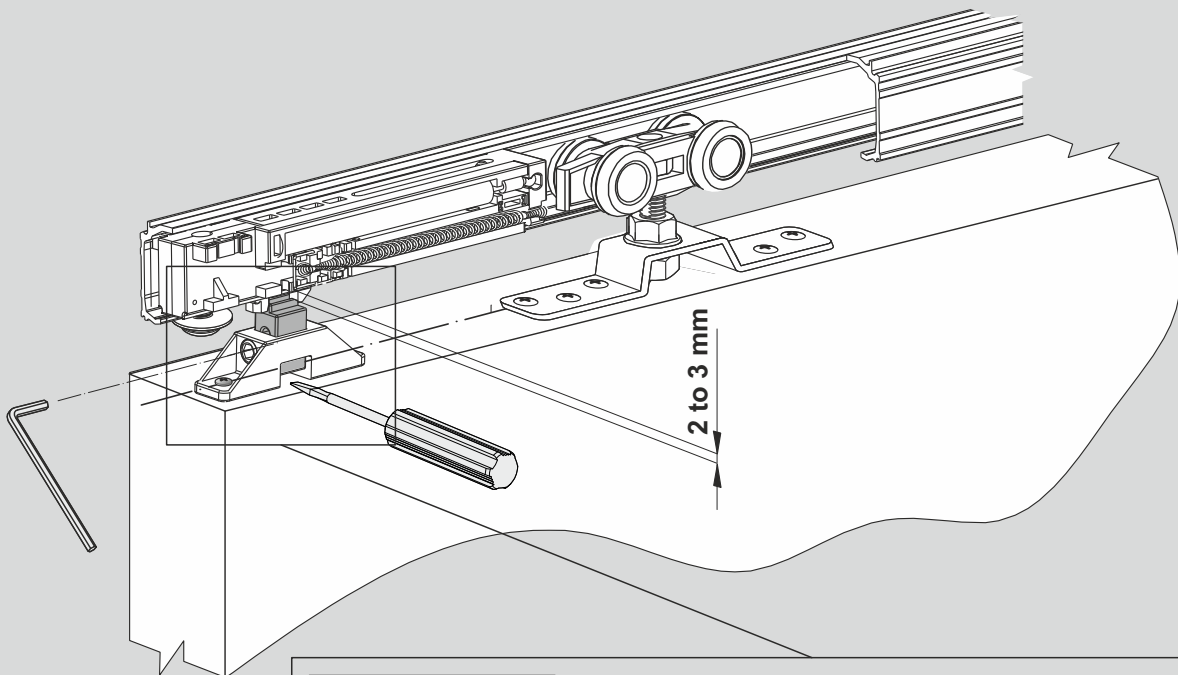
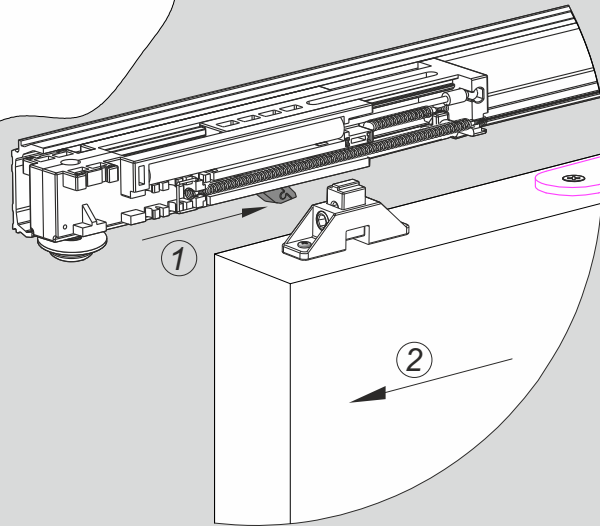


SOFT-CLOSE FOR SLIDING DOORS (TOP HUNG)

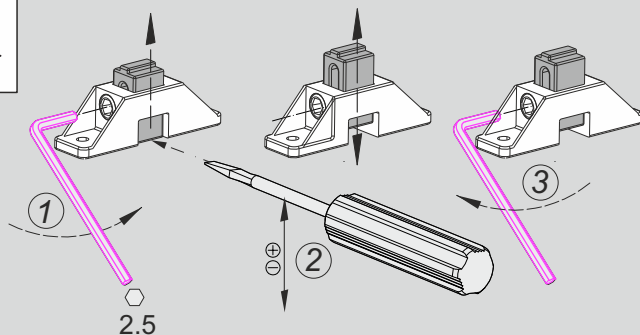
HERAKLES 40 kg or 80 kg



ATTENTION!
The soft-close catch
should be loaded
before inserting the door.



ATTENTION!
Adjust the height
of Herakles Activator
after installing the door





SOFT-CLOSE FOR SLIDING DOORS (TOP HUNG)

HERAKLES 40 kg or 80 kg

SEVROLL®

Montaż samodomykacza Herakles 40 kg lub 80 kg w systemie HERAKLES GLASS

