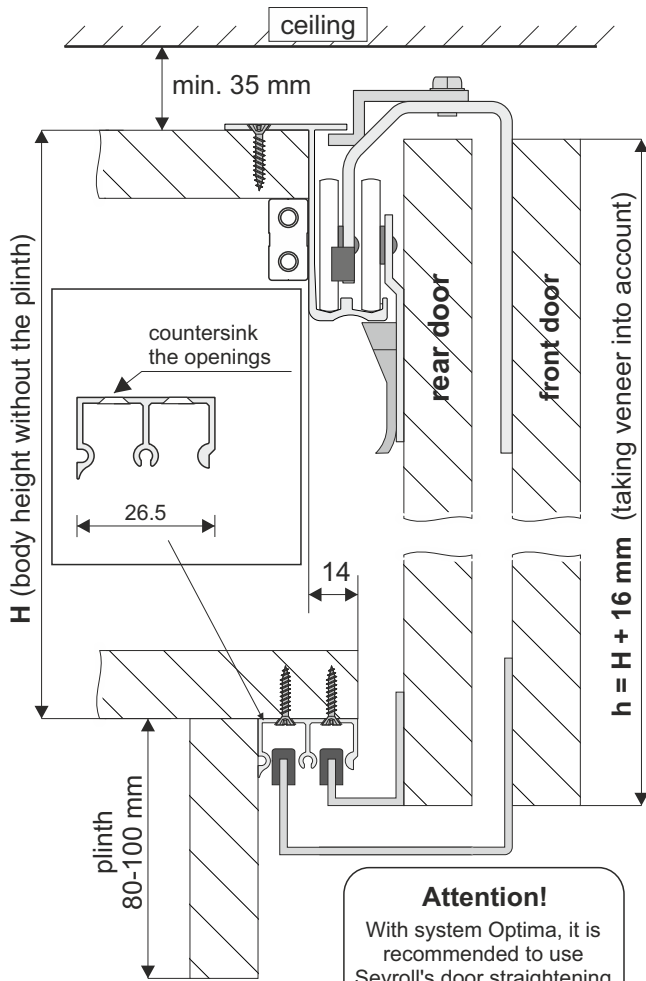




SYSTEM

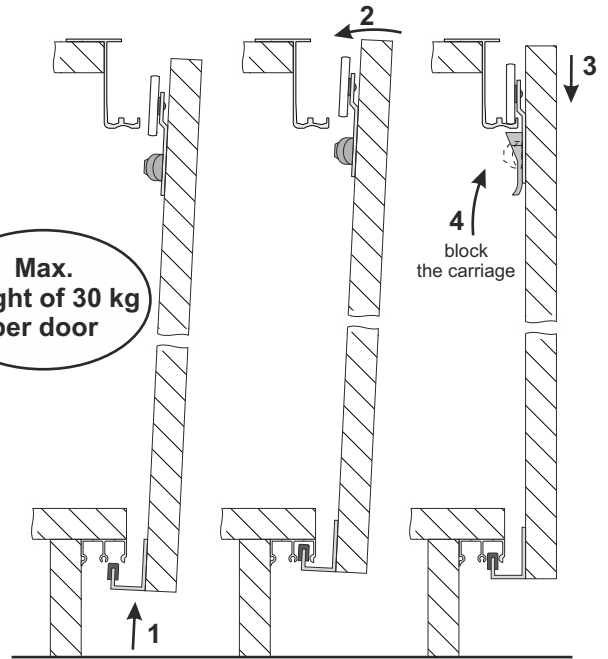
# OPTIMA 18 – for 2 wings



**ATTENTION**

Door height should be greater than body height (without the plinth) by exactly 16 mm.  
 Top flange should be moved back by 14 mm in relation to the bottom flange and should be fastened firmly.  
 Thickness of board: max. 20 mm.

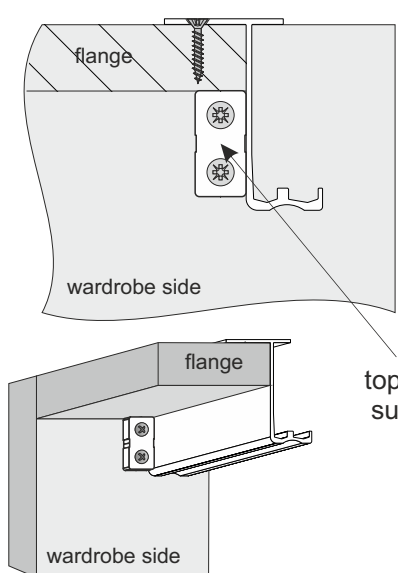
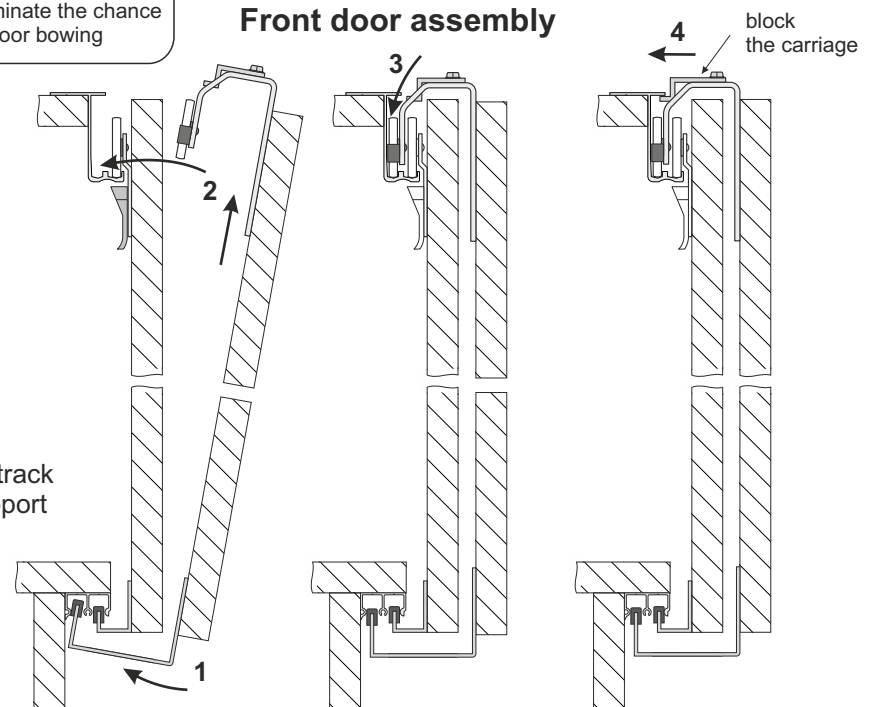
### Rear door assembly



**Attention!**

With system Optima, it is recommended to use Sevroll's door straightening kits to eliminate the chance of door bowing

### Front door assembly



### COMPONENTS

**Top track Optima**

L: 2.00 m, 2.40 m

43

**Bottom track Optima**

L: 2.00 m, 2.40 m

26

**Set for sliding doors Optima II – 2 door wings**

x2 x1 x1 x2 x2 x2 x2

### OPTION

**Handle Optima**

L: 2.40 m

textile door brush inserted 14 x 4 mm (set B)

textile door brush inserted 4 x 4.8 mm (set A)

#16, #18



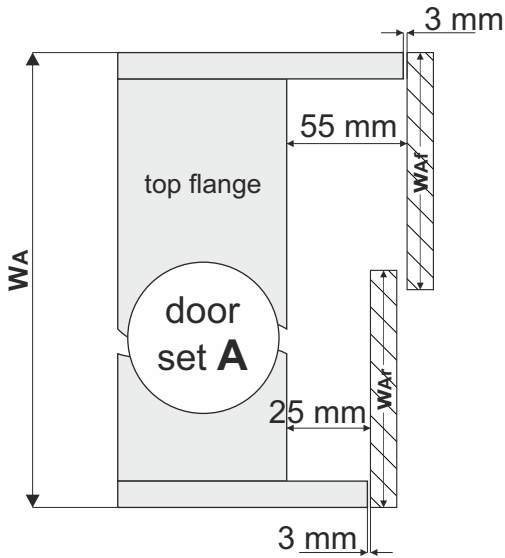
SYSTEM

**OPTIMA 18** – for 2 wings



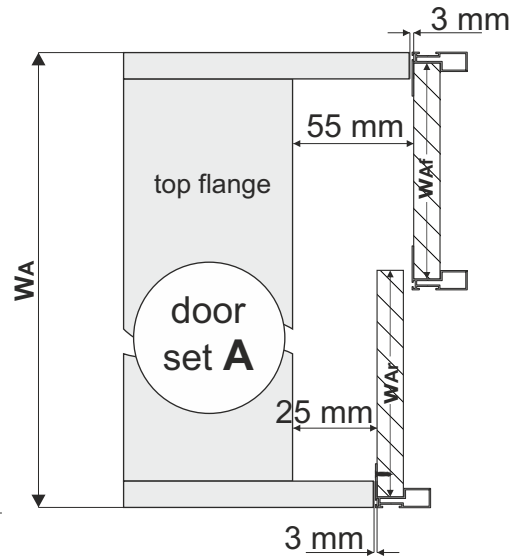
### board width calculation

**door without vertical profiles**  
(taking edging into account)



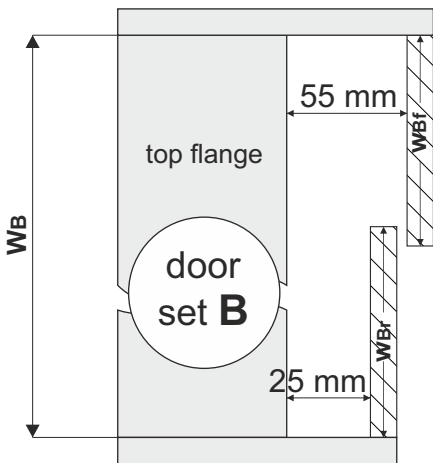
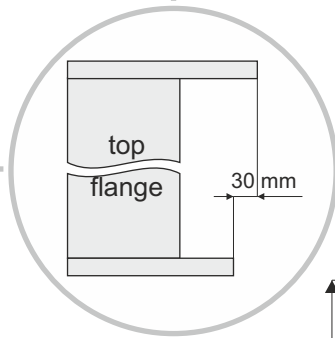
$$WA_f = WA_r = (WA + 20 \text{ mm}) : 2$$

**door with vertical profiles (handles)**  
rear door - 1 handle  
front door - 2 handles

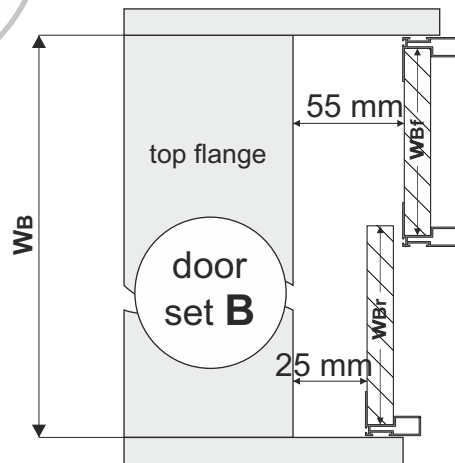


$$WA_f = [(WA + 20 \text{ mm}) : 2] - 14$$

$$WA_r = [(WA + 20 \text{ mm}) : 2] - 7$$

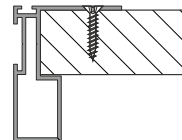


$$WB_f = WB_r = (WB + 20 \text{ mm}) : 2$$



$$WB_f = [(WB + 20 \text{ mm}) : 2] - 14$$

$$WB_r = [(WB + 20 \text{ mm}) : 2] - 7$$



handle to be fastened with a minimum of 4 screws

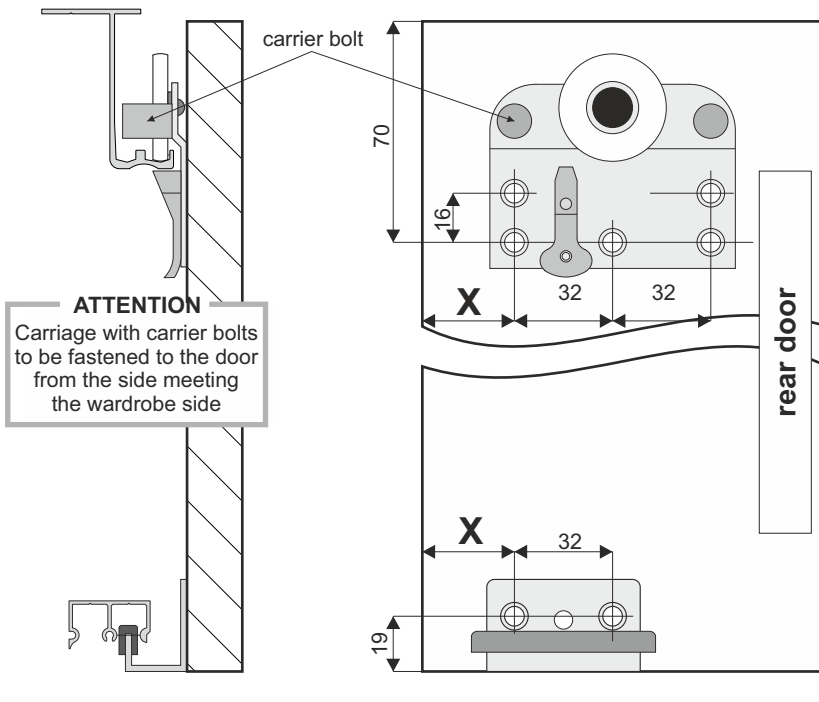


SYSTEM

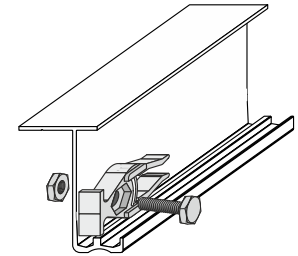
# OPTIMA 18 – for 2 wings



## Fastening of carriages and guides to the rear door

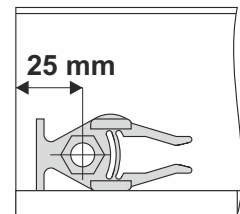


Fastening of stopper to the top track

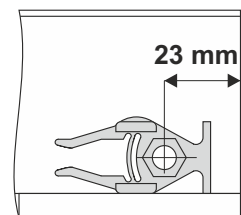


drill an opening in a track  $\varnothing 6$

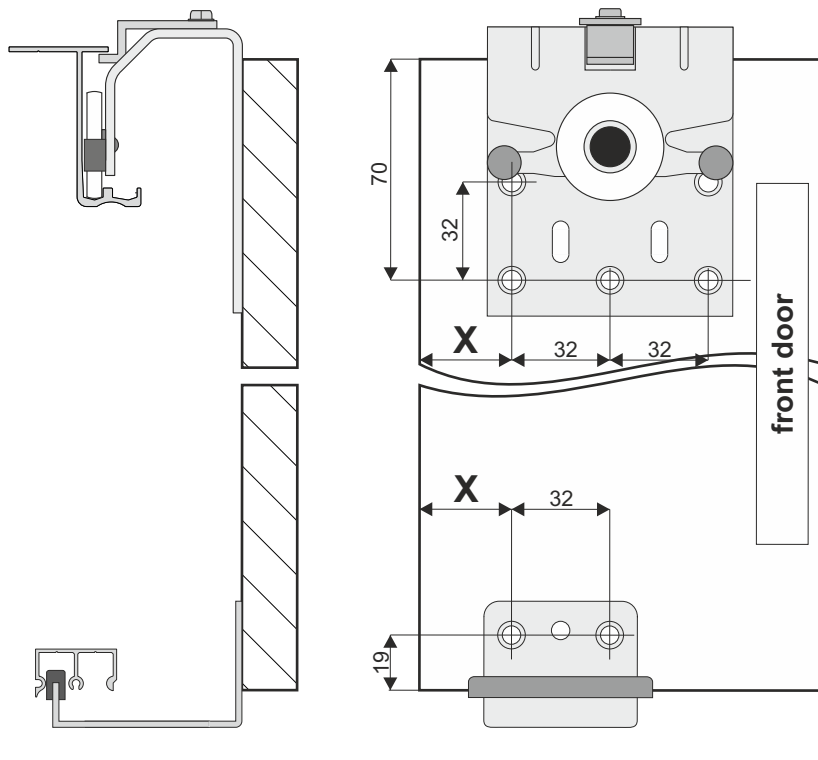
**rear door (set A and B)**  
door without and with vertical profiles (handles)



**front door (set A and B)**  
door without and with vertical profiles (handles)



## Fastening of carriages and guides to the front door



distance	door without vertical profiles		door with vertical profiles (handles)	
	door set A	door set B	door set A	door set B
<b>x</b>	58 mm	40 mm	51 mm	31 mm



Optionally, instead of stoppers, soft-closes **Optima** can be used (purchased separately)

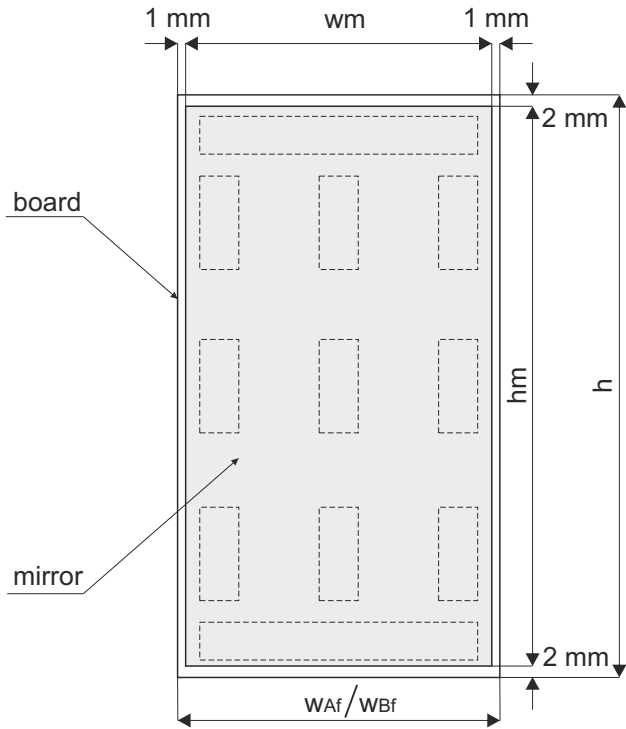


SYSTEM

**OPTIMA 18** – for 2 wings

**SEVROLL**

**Option with mirror (only available for front door wing)  
door set A and B**



Broken line indicated  
recommended positioning  
of double-sided tape

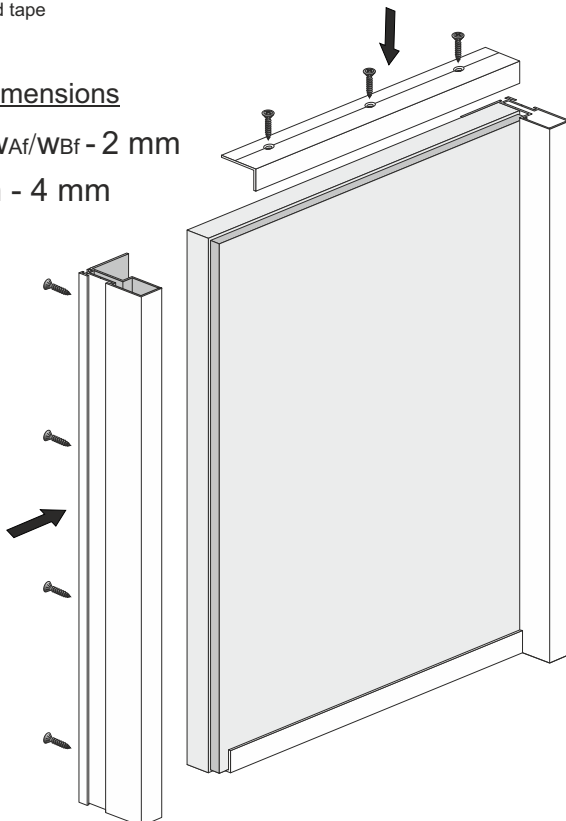
**ATTENTION :**

Board to mirror contact area should be  
free from dirt and grease before applying  
double-sided tape

mirror dimensions

$$wm = W_{Af}/W_{Bf} - 2 \text{ mm}$$

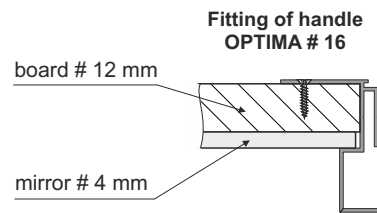
$$hm = h - 4 \text{ mm}$$



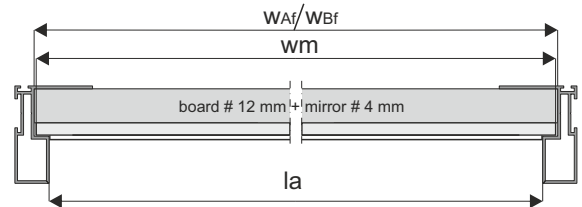
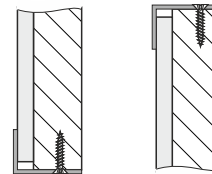
**ATTENTION!**

The usage of angle section  
requires the handle to be 3 mm  
longer than board size  
(protruding by: 1.5 mm - top,  
1.5 mm - bottom)

**Use angle section Mini**



**Fitting of angle section MINI**

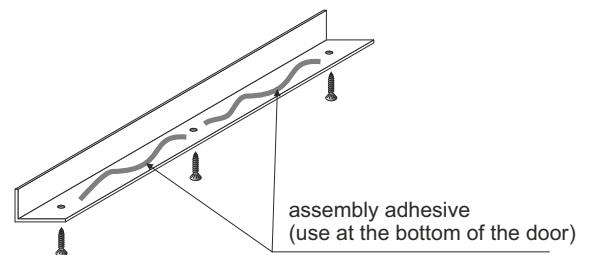


la - angle section Mini length

$$la = W_{Af} - 12 \text{ mm}$$



for aesthetic reasons,  
the angle section length should be  
decided after handle fitting



**ATTENTION!**

Angle section must be fastened to board  
with a minimum of 3 screws 3x25