

max. weight of door	max. width of door - w
25 kg	600 mm
40 kg	750 mm

Door height - h $h = H - 60 \text{ mm}$

Door width - w



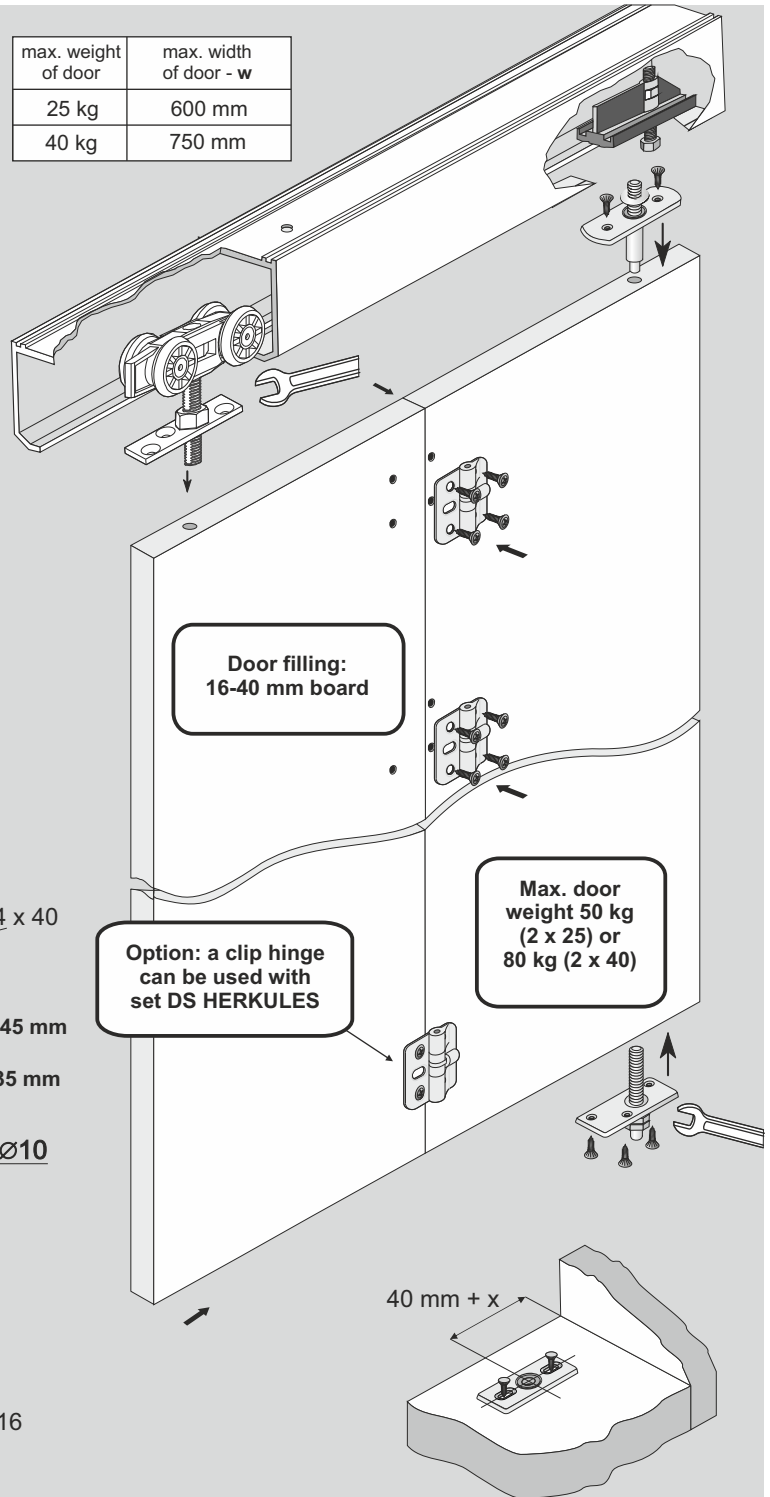
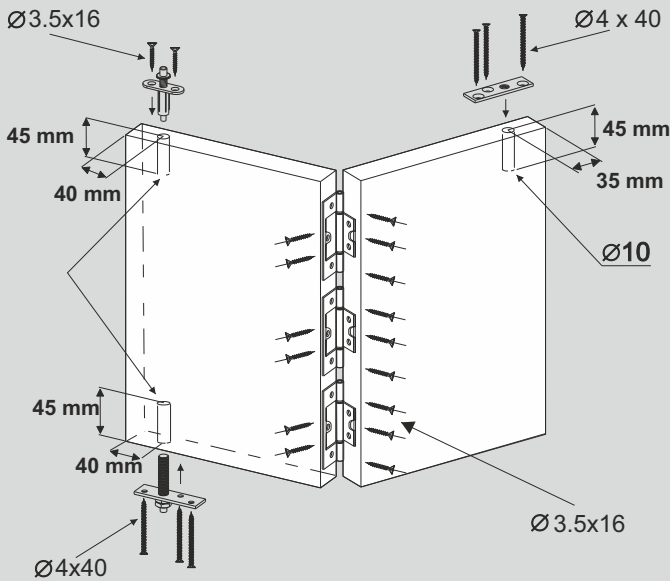
$$w = \frac{W - x - 5}{2}$$



$$w = \frac{W - 2x - 8}{4}$$

t (mm)	16	18	22	25	28	32	40
x (mm)	2	2	3	3	4	4	6

t - door thickness
x - factor (depends on door thickness)



COMPONENTS

Track with pivot seat Herkules Plus
L: 1.20 m, 1.50 m, 1.80 m, 2.00 m, 2.40 m, 3.00 m, 4.00 m, 6.00 m

Set Herkules Plus - 25 kg

Carriage HP25 x3
Hinge 25 kg x3

Bottom pivot with seat
Top pivot with seat

Screw 3.5x16 - 17 pcs
Screw 4x20 - 2 pcs
Screw 4x40 - 6 pcs

Set Herkules Plus - 40 kg

Carriage HP40 x3
Hinge 40 kg x3

Bottom pivot with seat
Top pivot with seat

Screw 3.5x16 - 17 pcs
Screw 4x20 - 2 pcs
Screw 4x40 - 6 pcs

OPTIONS

Sleeve guide 1102

Clip hinge

C-profile steel 1109
L: 2.00 m, 3.00 m, 4.00 m, 5.00 m, 6.00 m