

COMPONENTS

<p>Handle Pax</p> <p>Anti-dust brush (inserted) 4.8 x 6 mm</p> <p>Textile door stop (inserted) 14 x 4 mm</p>	<p>Gap filler Pax</p> <p>8 pcs</p>	<p>Horizontal profile Eden</p>	<p>Set for sliding door Eden - 2 door wings</p> <p>x2 x2 x2 x2</p> <p>x4 x4 x2</p> <p>screw 3.5x20 x 4</p> <p>screw M4x20 x 4</p> <p>self-tapping screw 3.9x13 x 48</p> <p>spring washer 4 x 4</p>
<p>Bottom track Gemini-Decor II</p>	<p>Top track Eden</p>	<p>(A) Strengthening profile</p> <p>(B) Spacer profile 04</p> <p>(A)</p> <p>(B)</p>	<p>Soft-close</p> <p>SV25 MINI (index: 20359-SV) or SV40 MINI (index: 20260-SV)</p> <p>x4</p>

You must remember to purchase self-tapping screws to construct each door (min. 8 screws per door).



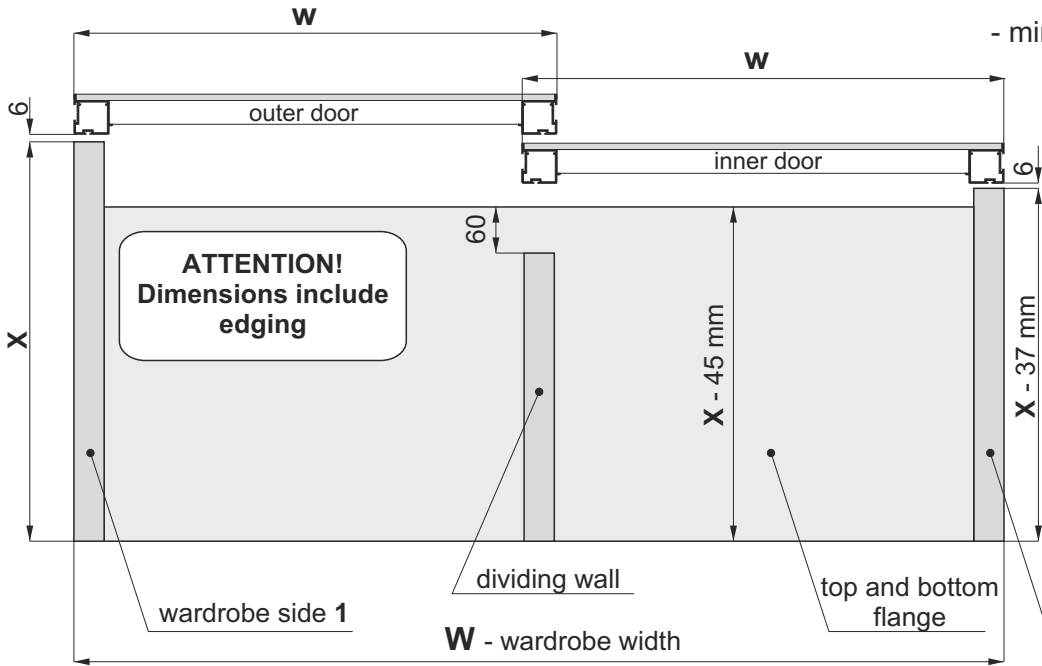
LINE Pax

SYSTEM

EDEN 4 – 2 door wings



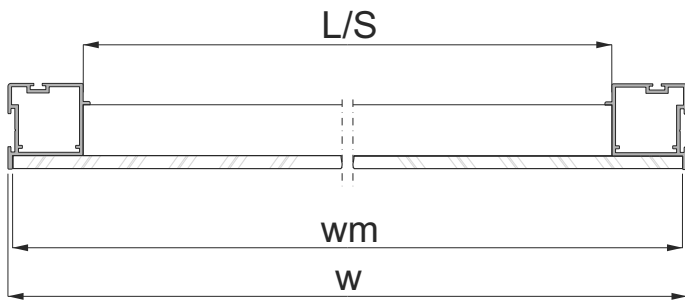
SEVROLL®



door filling:
- mirror, coloured glass # 4 mm

ATTENTION!
Dimensions include edging

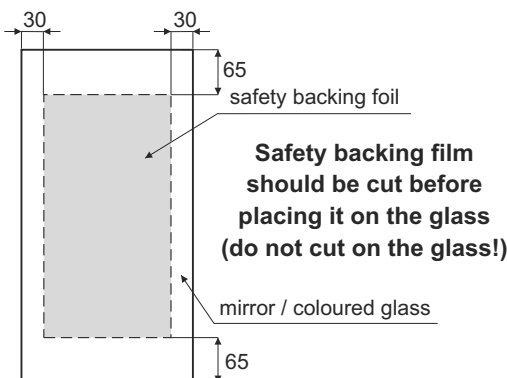
ATTENTION!
Due to the fact that no plinth is needed in system Eden, attention must be paid to the bottom flange being positioned level to the floor. Additionally, when using furniture slides, they should be placed along the whole length so that the bottom flange and bottom track does not bend.



Door width	$w = (W + 25 \text{ mm}) : 2$
Mirror width	$w_m = w - 4 \text{ mm}$
Horizontal profile Eden length - L	$L = S = w - 50 \text{ mm}$
Strengthening profile length - S	
Spacer profile 04 length	$S + 46 \text{ mm}$

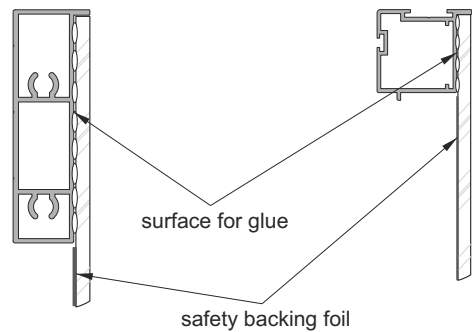
ATTENTION!

Rear mirror / coloured glass surface must be secured with safety backing foil (excluding glass surface glued with mirror adhesive). The edges of glass must be polished.

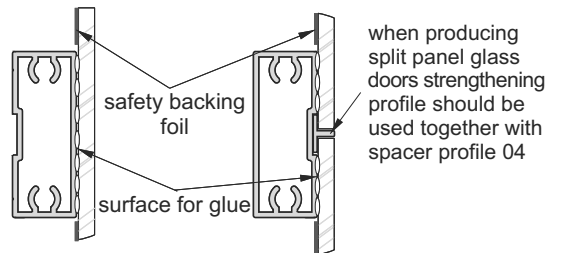


Installation method for fitting mirror or coloured glass 4 mm

- with horizontal profile - with handle

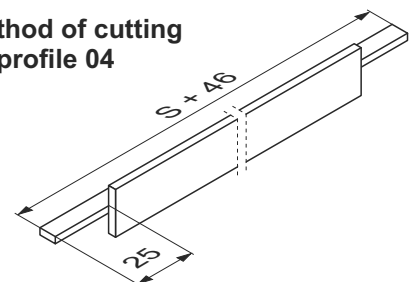


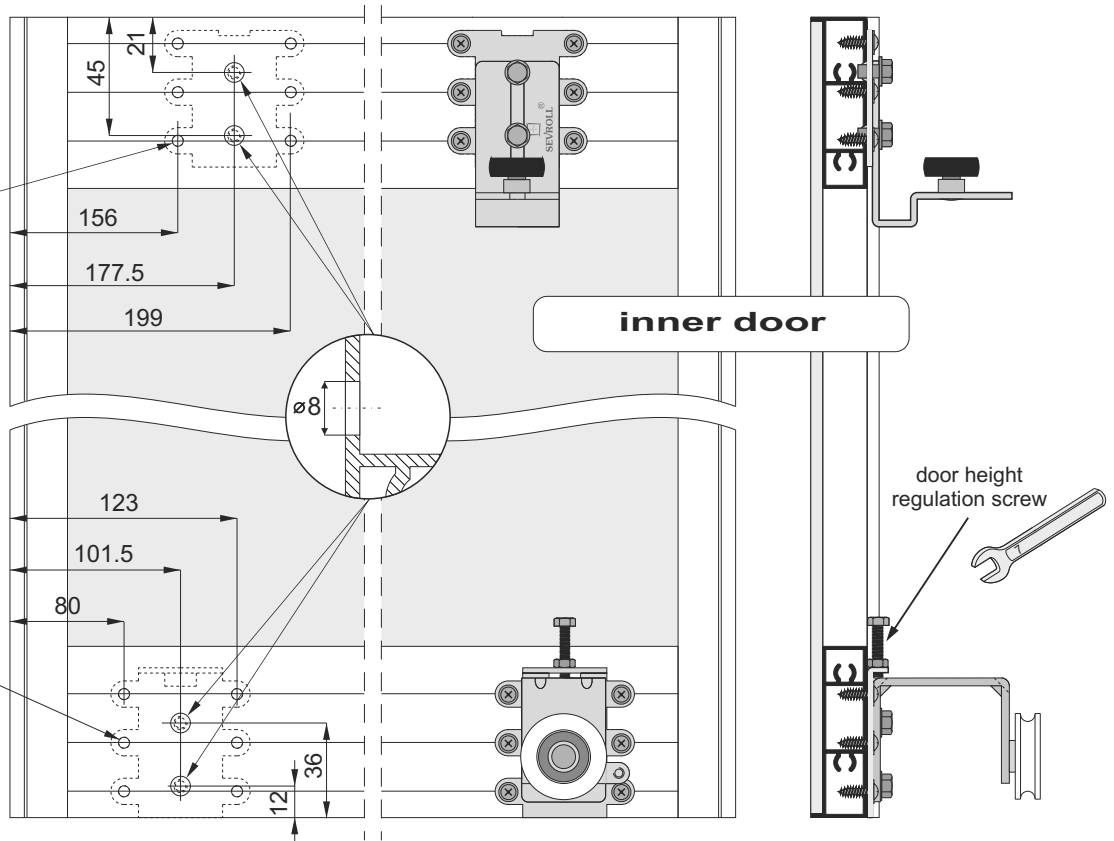
- with strengthening profile



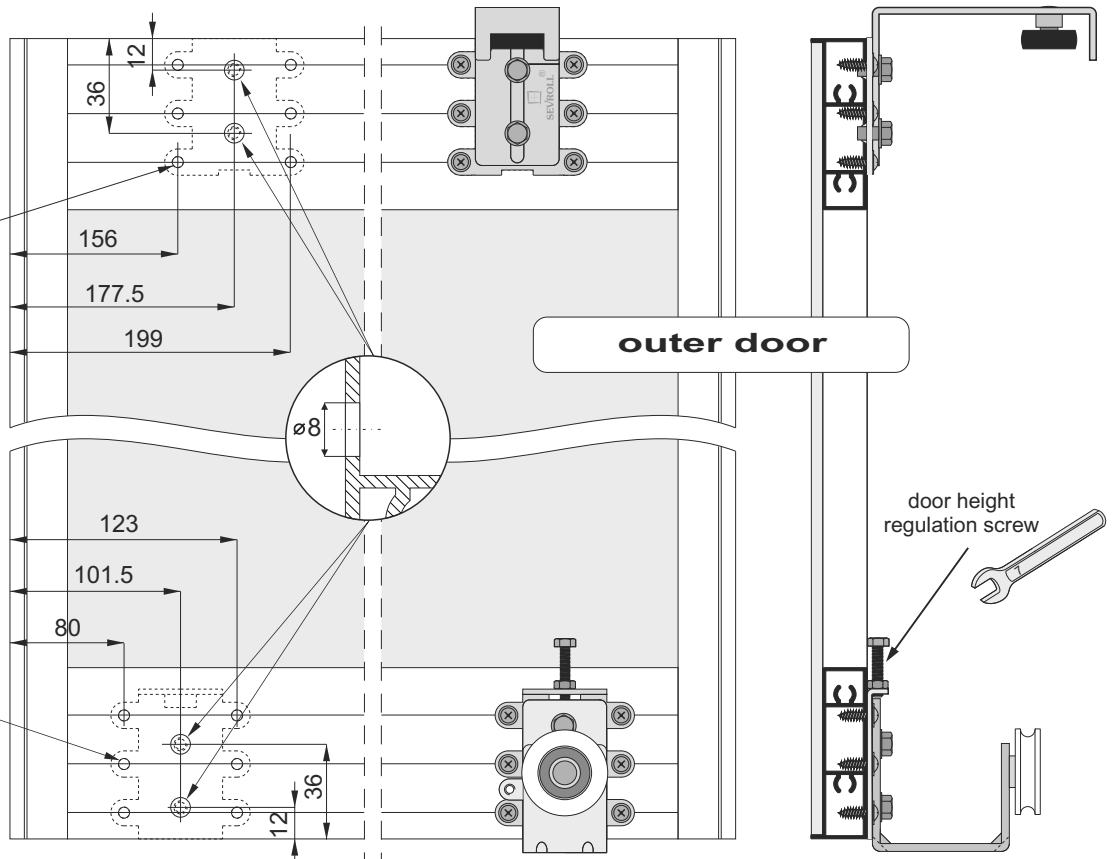
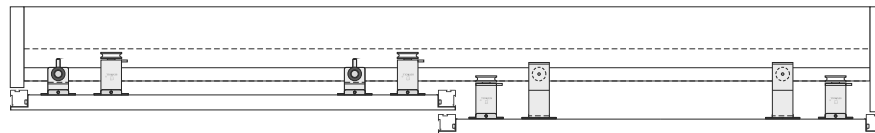
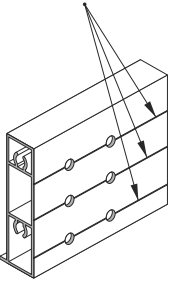
it is recommended that mirror / coloured glass is glued to aluminium profiles with specialist glass adhesive

The method of cutting spacer profile 04



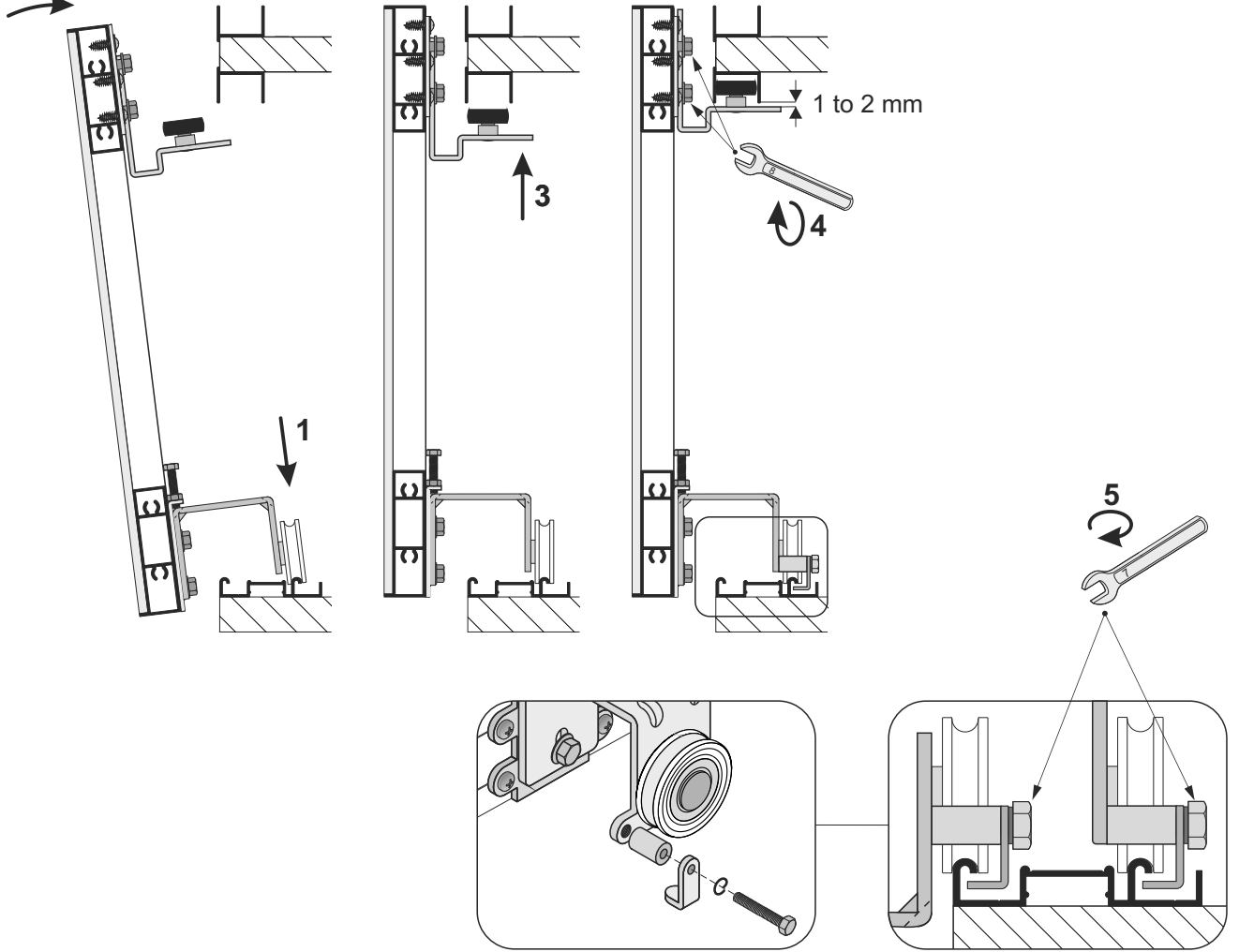


openings $\varnothing 3$
for fastening
carriages must
be drilled along
profile grooves

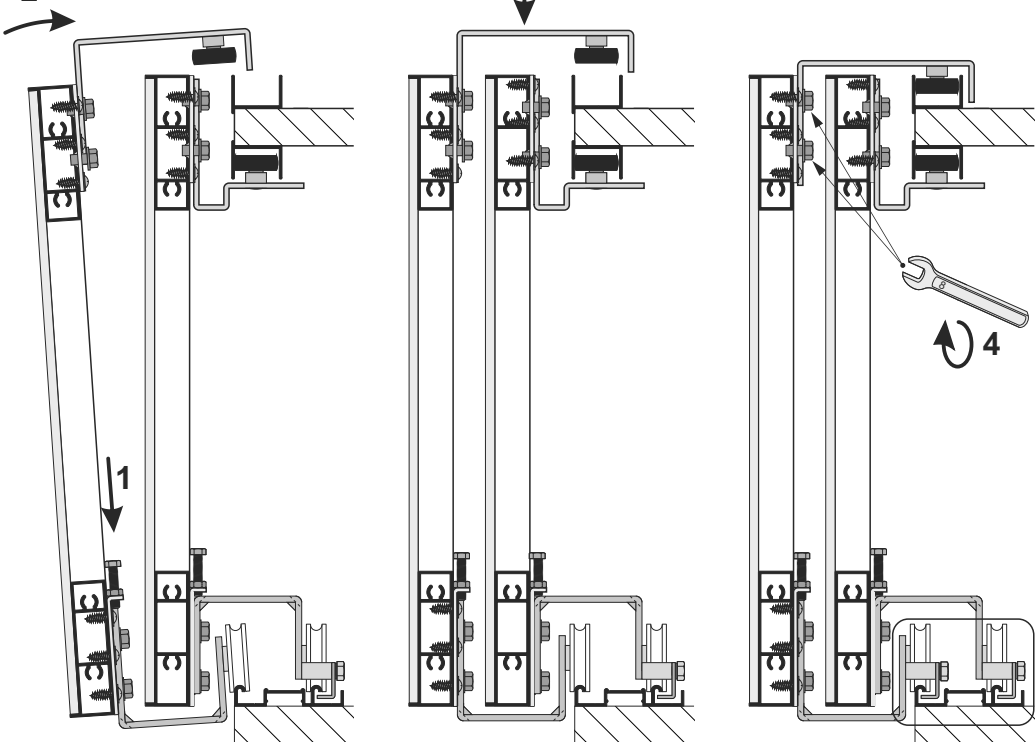




2 Inner door installation



2 Outer door installation





Soft-close installation

