



LINE

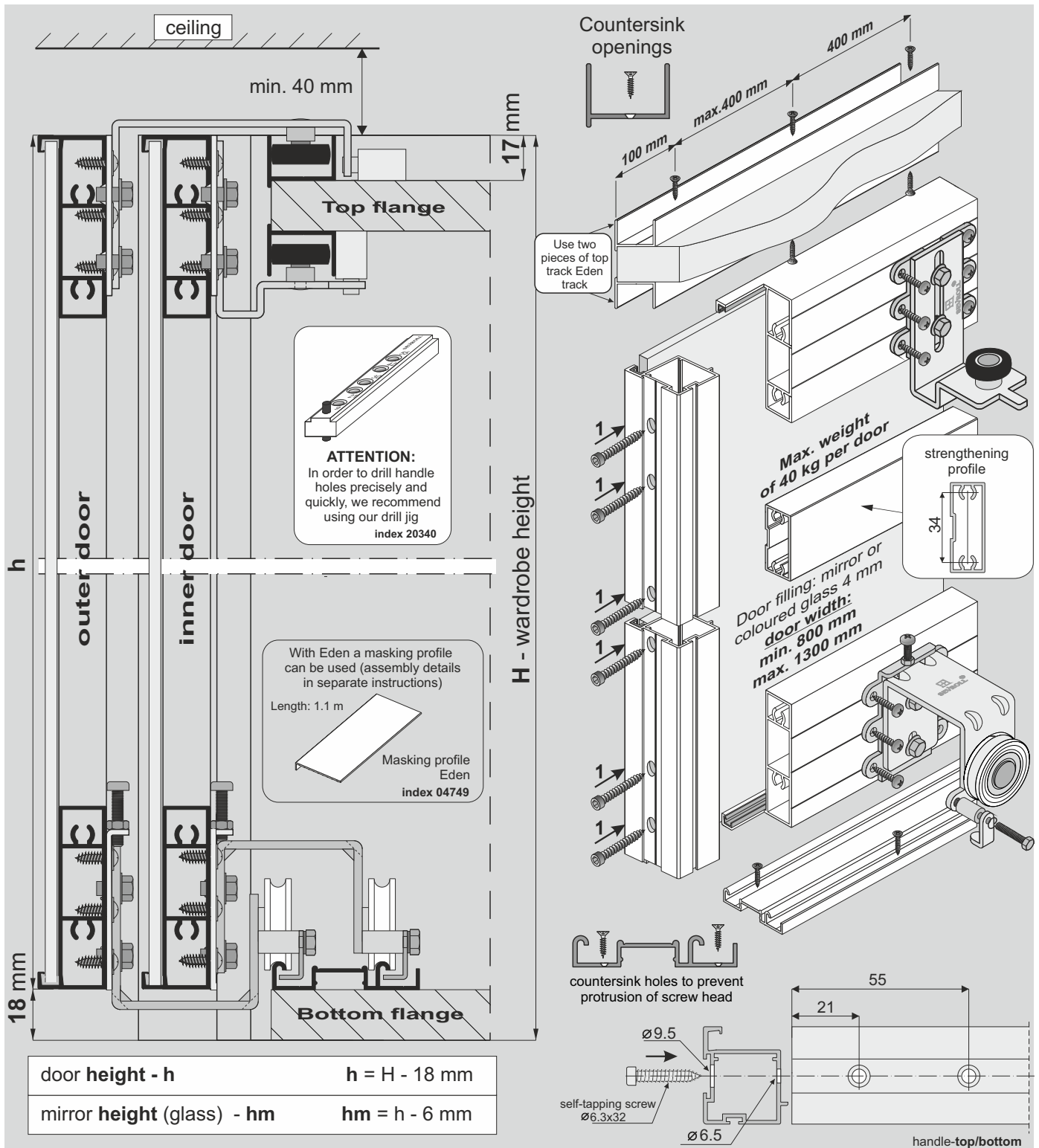
Pax XL

SYSTEM

EDEN 4 – 3 door wings



SEVROLL®



## COMPONENTS

<b>Handle Pax XL</b> L: 2.70 m, 3.00 m 	<b>Gasket for frame Type II</b>  (index - 20167)	<b>Horizontal profile Eden XL</b> L: 1.70 m, 2.35 m, 3.00 m 	<b>Set for sliding door Eden – 2 door wings (inner and outer)</b>  x4  x4  x2	<b>Set for third door Eden – 1 inner door</b>  x2  x2  x1  x2  x2
<b>Bottom track Gemini-Decor II</b> L: 1.70 m, 2.35 m, 3.00 m, 4.05 m, 6.00 m  53	<b>Top track Eden</b> L: 1.70 m, 2.35 m, 3.00 m, 6.00 m  24	<b>Strengthening profile</b> L: 3.00 m 	screw 3.5x20 x 4 screw M4x20 x 4 self-tapping screw 3.9x13 x 48 spring washer 4 x 4	<b>Soft-close</b> MINI SV-25 (index: 20359-SV) or MINI SV-40 (index: 20260-SV) x4 Central SV-25 (20360-BL) or Central SV-40 (20297-BL) x1

You must remember to purchase self-tapping screws to construct each door (min. 8 screws per door).



LINE

Pax XL

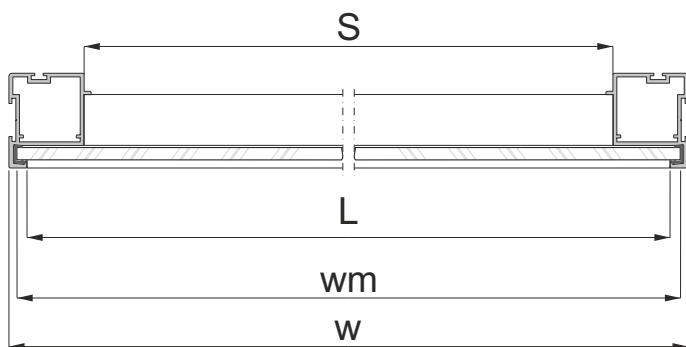
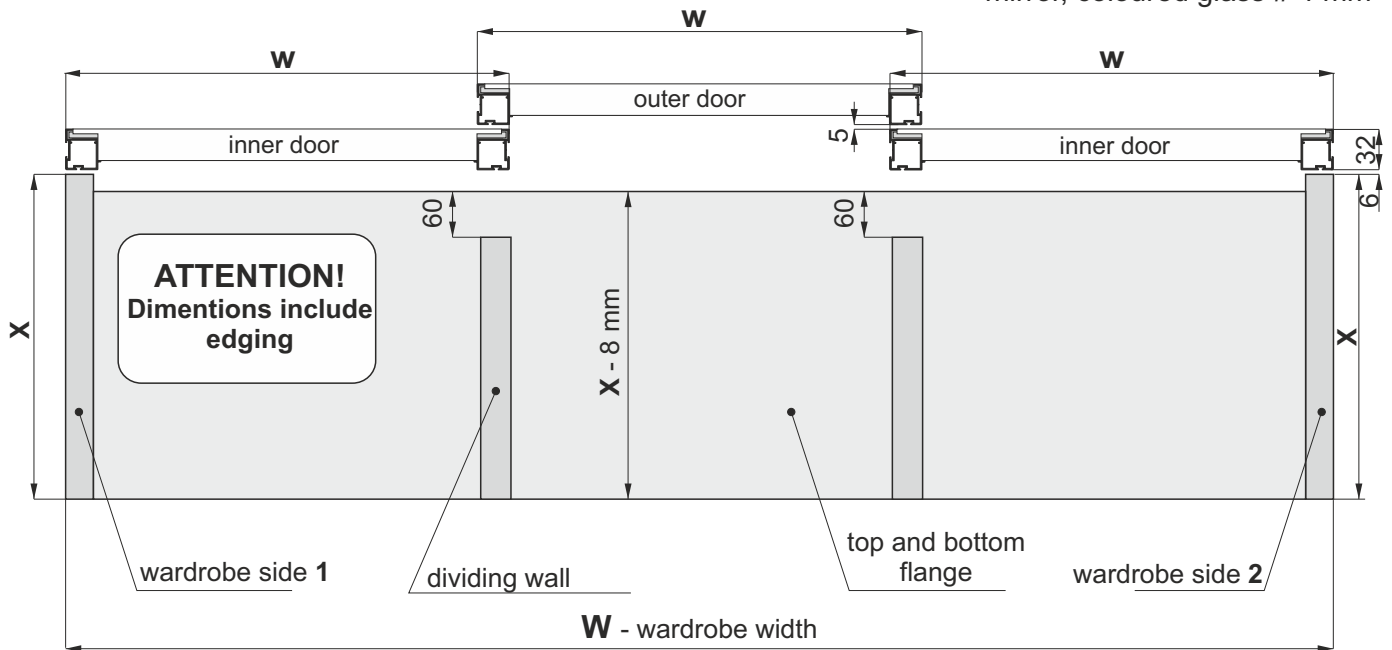
SYSTEM

EDEN 4 – 3 door wings



SEVROLL®

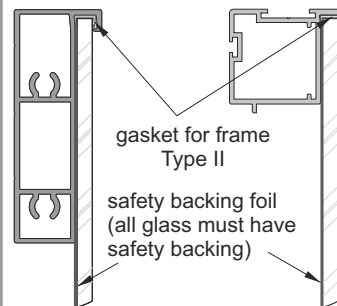
door filling:  
- mirror, coloured glass # 4 mm



#### Installation method for fitting mirror or coloured glass 4 mm

- with  
horizontal  
profile

- with  
handle

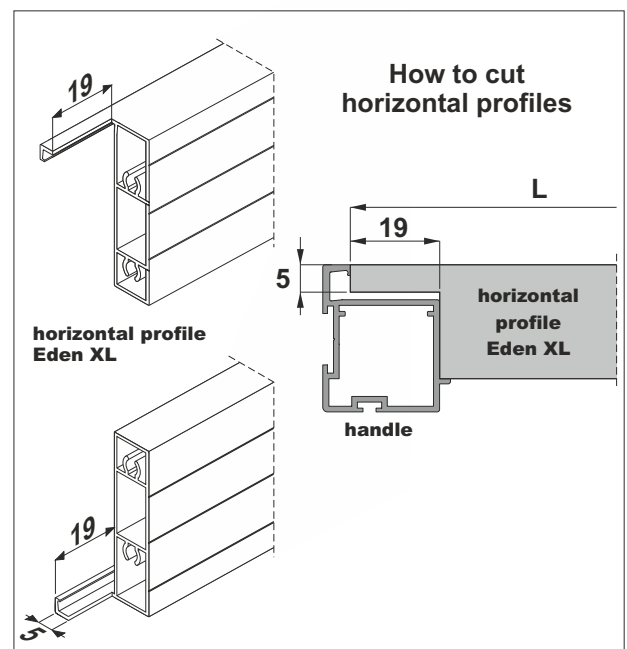


**ATTENTION!**  
Due to the fact that no  
plinth is needed in  
system Eden, attention  
must be paid to the  
bottom flange being  
positioned level to the  
floor. Additionally, when  
using furniture slides,  
they should be placed  
along the whole length  
so that the bottom  
flange and bottom track  
does not bend.

Door width	$w = (W + 50 \text{ mm}) : 3$
Mirror width (glass)	$w_m = w - 6 \text{ mm}$
Horizontal profile length Eden XL	$L = w - 12 \text{ mm}$
Strengthening profile length	$S = w - 50 \text{ mm}$

#### ATTENTION!

Rear mirror / coloured glass surface must be  
secured with safety backing foil  
(excluding glass surface glued with mirror adhesive).  
The edges of glass must be polished.





LINE

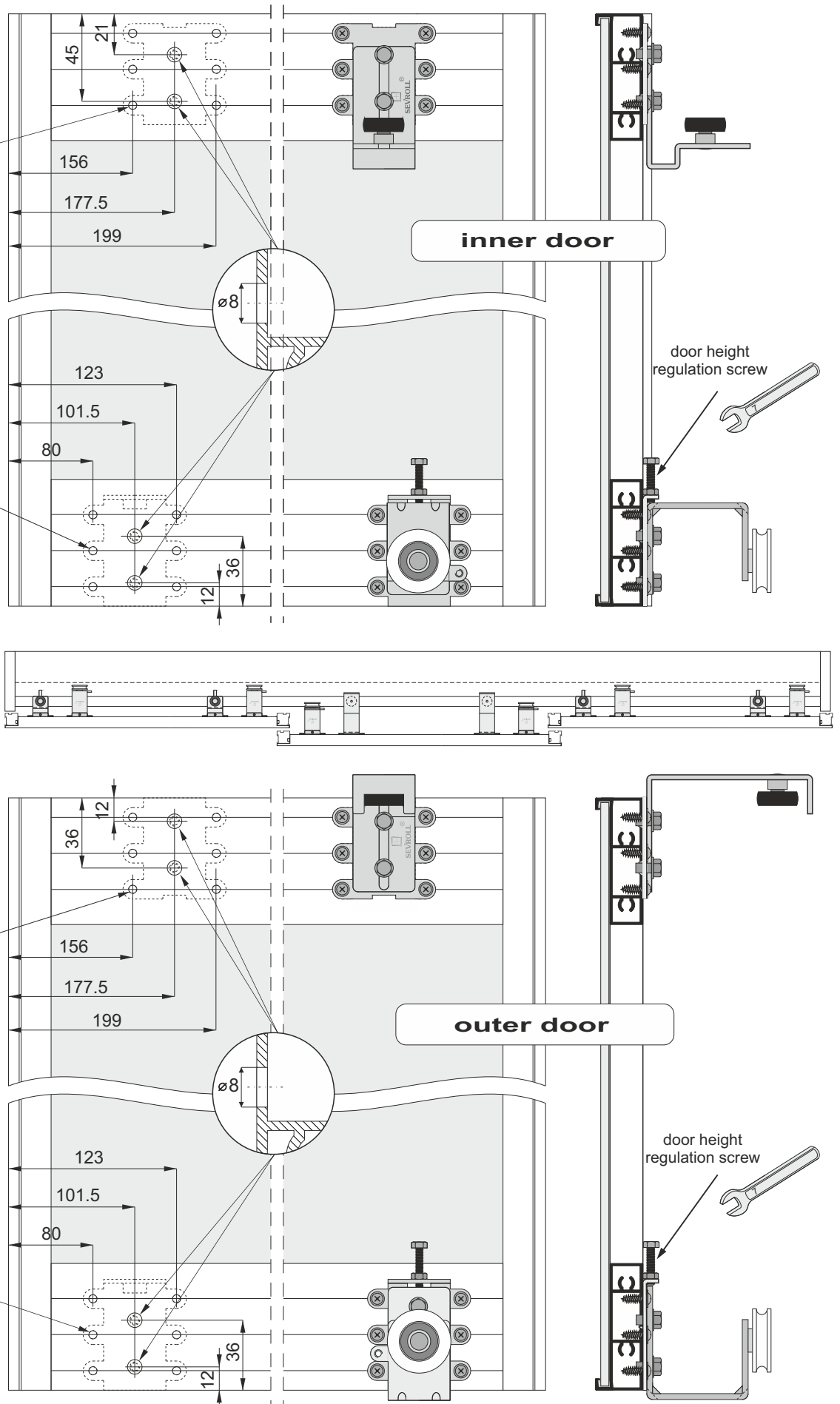
Pax XL

SYSTEM

EDEN 4 – 3 door wings



SEVROLL®





LINE

Pax XL

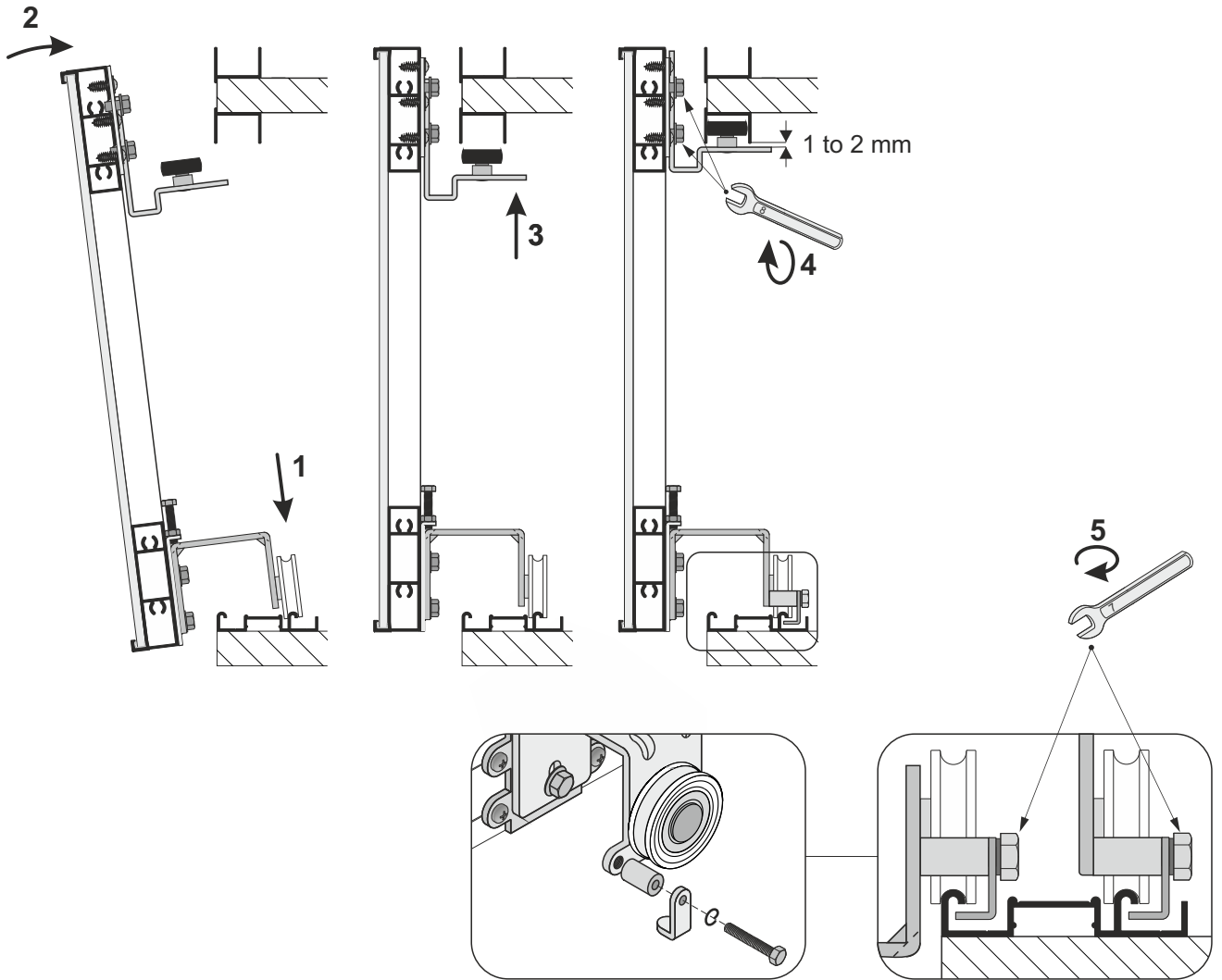
SYSTEM

EDEN 4 – 3 door wings



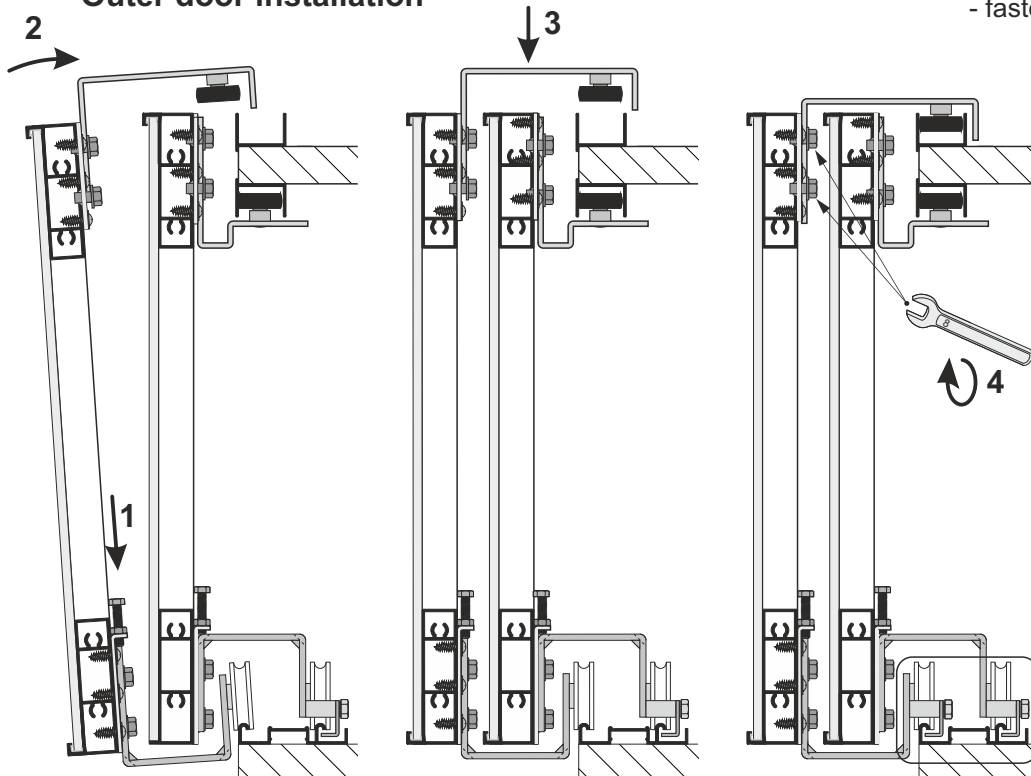
SEVROLL®

### Inner door installation



securing catch  
- fasten after door assembly

### Outer door installation





LINE

Pax XL

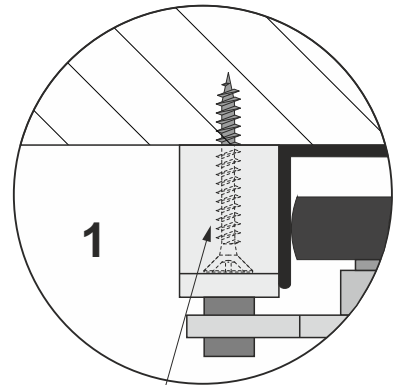
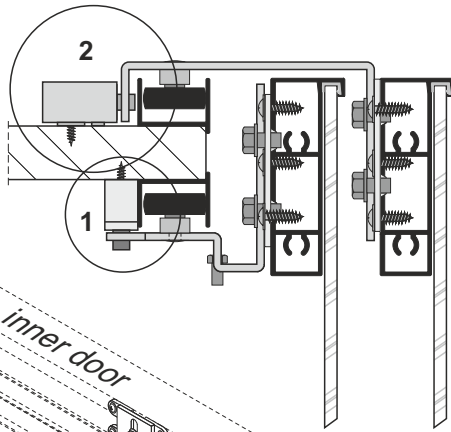
SYSTEM

EDEN 4 – 3 door wings

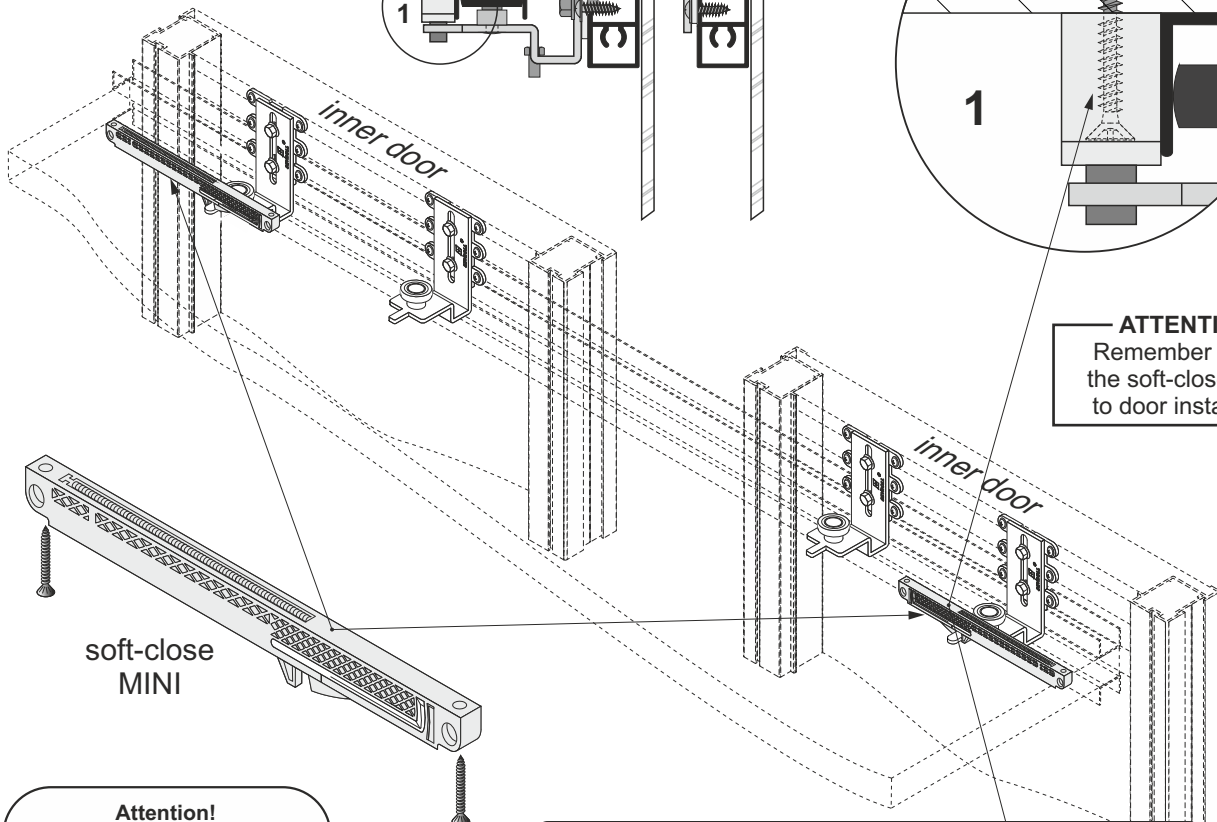


SEVROLL®

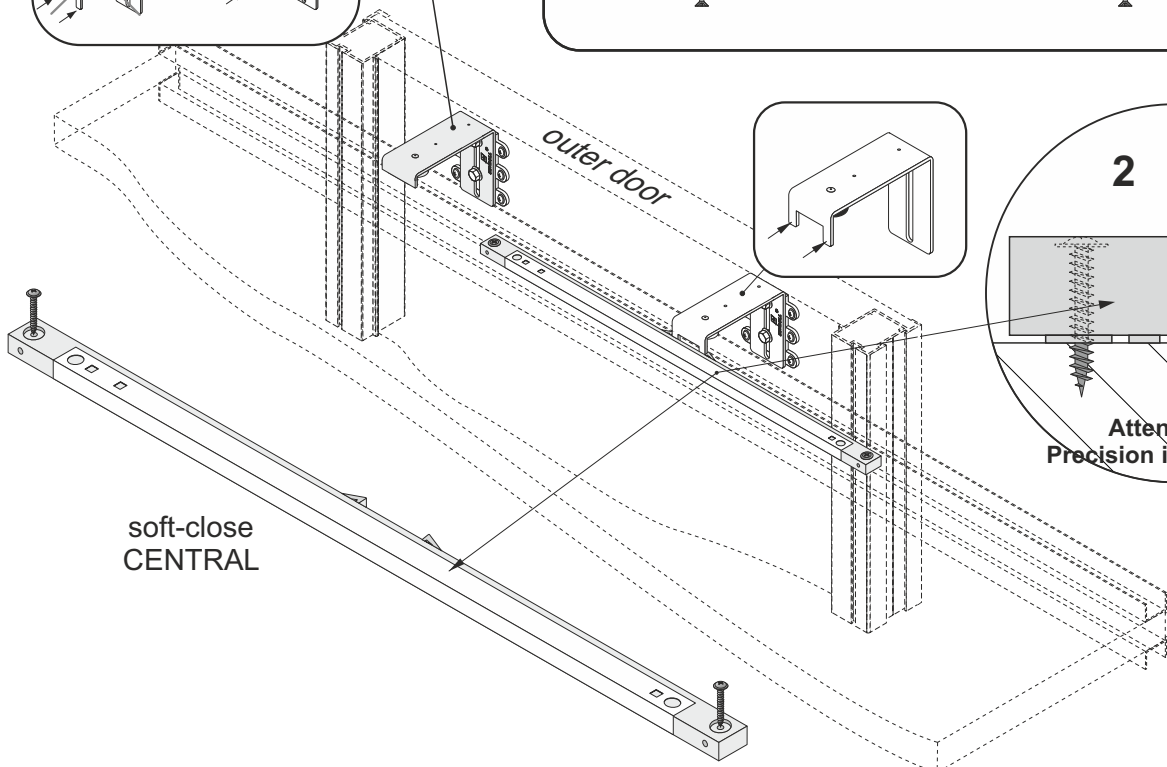
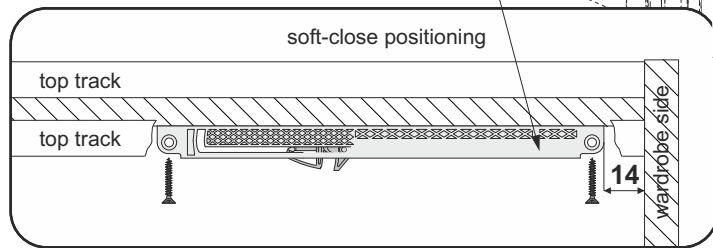
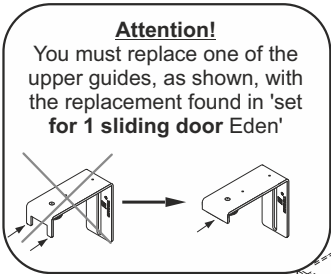
### Soft-close installation



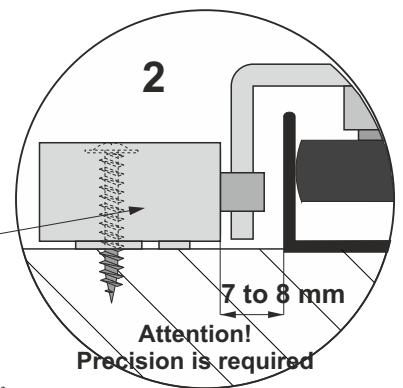
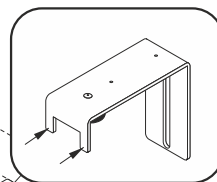
**ATTENTION!**  
Remember to arm  
the soft-closer prior  
to door installation



soft-close  
MINI



soft-close  
CENTRAL



**Attention!**  
Precision is required