

**COMPONENTS**

**Top track Herakles**  
L: 1.20 m, 1.50 m, 1.80 m, 2.00 m, 2.40 m, 3.00 m, 3.60 m, 4.00 m, 6.00 m

**Pathway door set ZPH-18 (Herakles) 80 kg**

Carriage Herakles 80 kg

Clipstopper Herakles

Stopper

Universal guide

Screw 4x50 - 8 pcs

Flat spanner 6

Flat spanner 10/13

**OPTIONS**

**Masking fascia Herakles**  
L: 1.20 m, 1.50 m, 1.80 m, 2.00 m, 2.40 m, 3.00 m, 3.60 m, 4.00 m, 6.00 m

Anti-dust brush (inserted) 4.8 x 13

**Sleeve spacer**

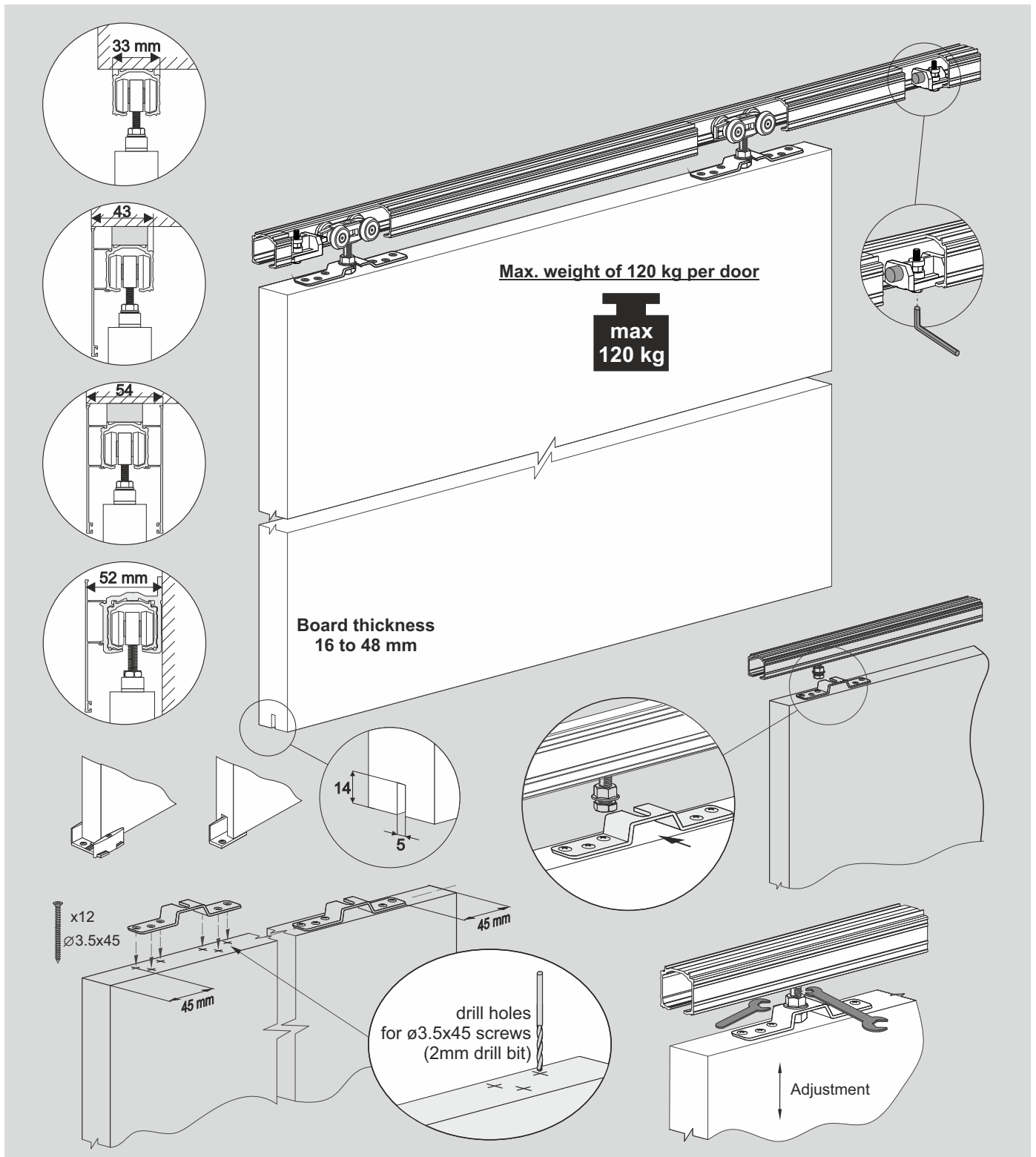
**Wall bracket Herakles**

**Mounting plate Herakles for wooden fascia**

Screw 3.5x10

**Soft-close Herakles**

40 kg - index 20392  
80 kg - index 20393



**COMPONENTS**

**Top track Herakles**  
L: 1.20 m, 1.50 m, 1.80 m, 2.00 m, 2.40 m, 3.00 m, 3.60 m, 4.00 m, 6.00 m

**Pathway door set ZPH-18 (Herakles) 120 kg**

x2 Carriage Herakles 120 kg  
x2 Stopper Herakles

Flat spanner 6/13  
Flat spanner 13  
Allen key 4

Screw 3.5x45 - 12 pcs  
Universal guide

**OPTIONS**

**Masking fascia Herakles**  
L: 1.20 m, 1.50 m, 1.80 m, 2.00 m, 2.40 m, 3.00 m, 3.60 m, 4.00 m, 6.00 m

Anti-dust brush (inserted) 4.8 x 13

**Sleeve spacer**

**Wall bracket Herakles**

**Mounting plate Herakles for wooden fascia**

Screw 3.5x10

**Soft-close Herakles**

x1  
x1 x2

40 kg - index 20392  
80 kg - index 20393



SYSTEM

# HERAKLES 80 kg, 120 kg



## 1. Track within the opening

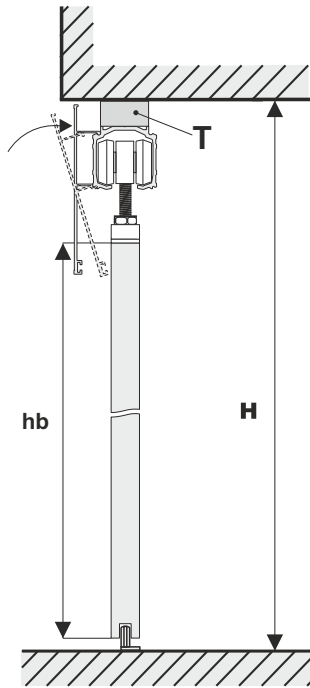
Board height - hb:

$$hb = H - 81 \text{ mm}$$

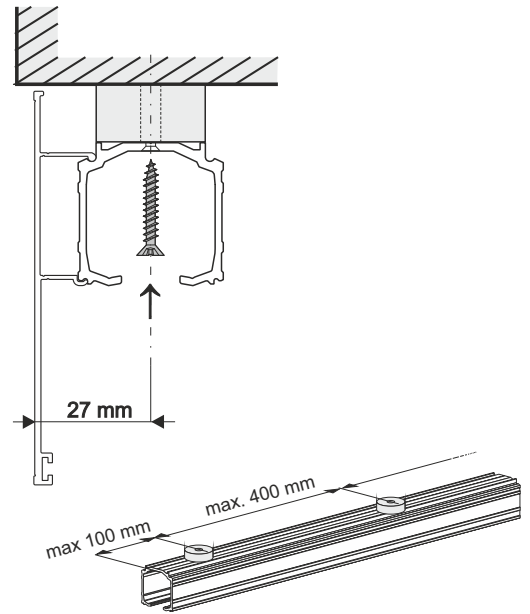
H - height of the opening

Without sleeve spacer **T**

$$hb = H - 68 \text{ mm}$$



Top fastening of HERAKLES track  
- max. weight of 80 kg, 120 kg per door

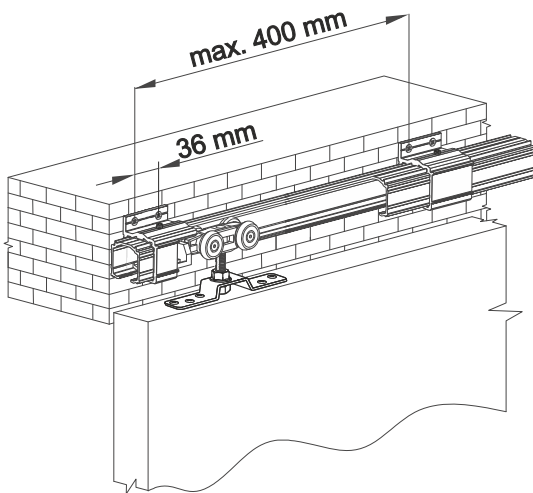


## 2. Track outside the opening

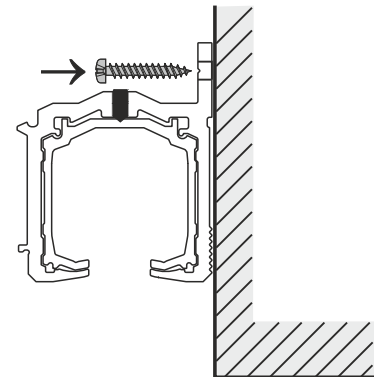
Board height hb:

$$hb = H - 79 \text{ mm}$$

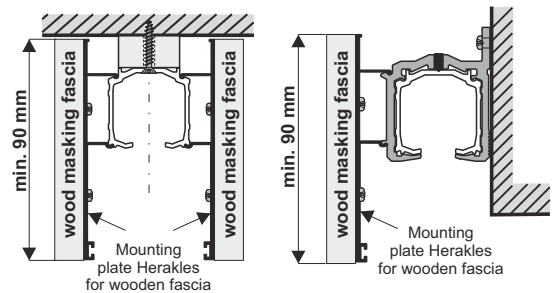
H - height from floor base to top of track



Side fastening of HERAKLES track  
- max. weight of 80 kg, 120 kg per door

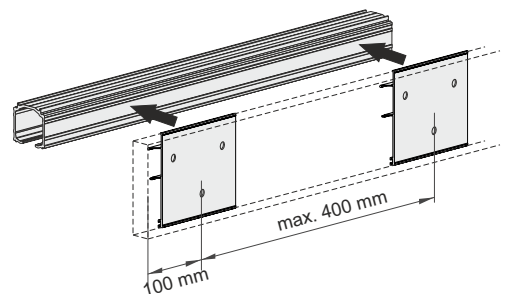


### Wooden masking fascia installation



### ATTENTION!

In cases that it will not be possible to insert carriages after the installation of the top track, carriages should be inserted prior to track installation.



### ATTENTION!

Remove protective film from aluminium elements (handles, tracks, connectors, etc.) prior to cutting them to the desired size. Film removal will reveal quality issues (eg. scratches)