

**COMPONENTS**

**Handle Pax**  
L: 2.70 m, 3.00 m  
Anti-dust brush (inserted) 4.8 x 6 mm  
Textile door stop (inserted) 14 x 4 mm

**Gap filler Pax**  
8 pcs

**Horizontal profile Eden**  
L: 1.70 m, 2.35 m, 3.00 m

**Set for sliding door Eden - 2 door wings**

x4 x4 x2

screw 3.5x20 x 4

screw M4x20 x 4

self-tapping screw 3.9x13 x 48

spring washer 4 x 4

**Soft-close**  
SV25 MINI (index: 20359-SV)  
or  
SV40 MINI (index: 20260-SV)

x4

**Bottom track Gemini-Decor II**  
L: 1.70 m, 2.35 m, 3.00 m, 4.05 m, 6.00 m

53

**Top track Eden**  
L: 1.70 m, 2.35 m, 3.00 m, 6.00 m

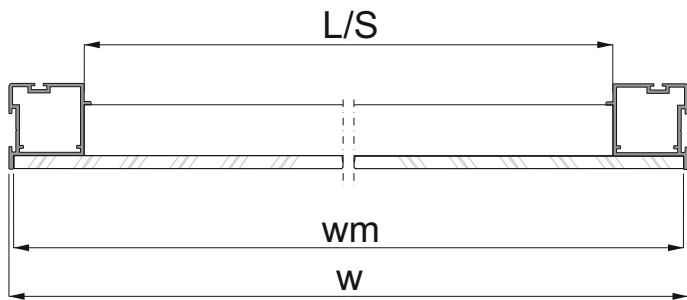
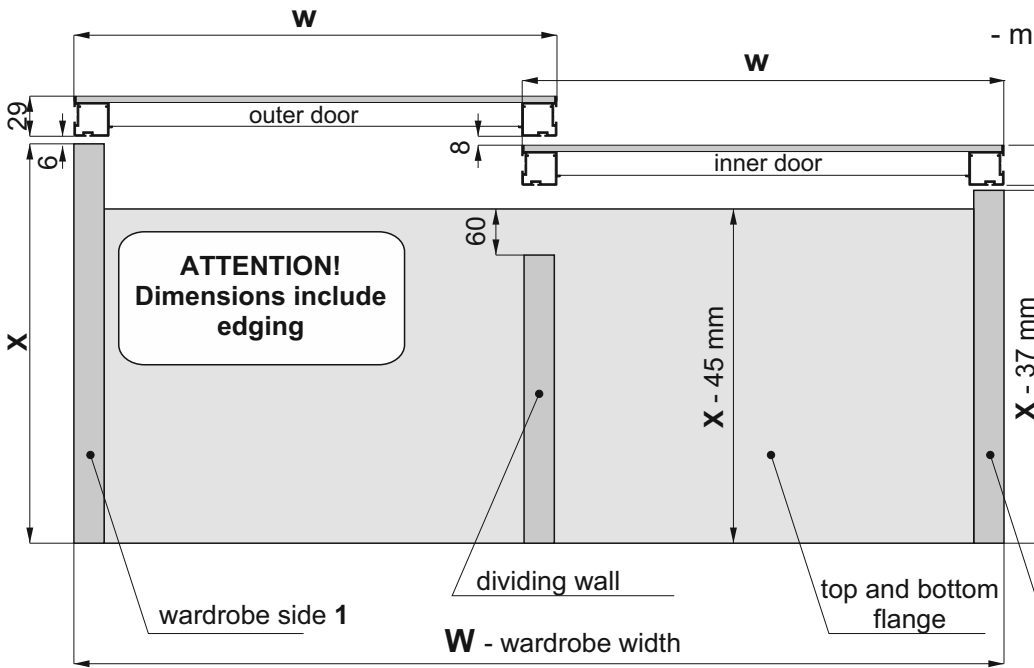
24

(A) **Strengthening profile**  
(B) **Spacer profile 04**  
L: 3.00 m  
L: 3.00 m

You must remember to purchase self-tapping screws to construct each door (min. 8 screws per door).

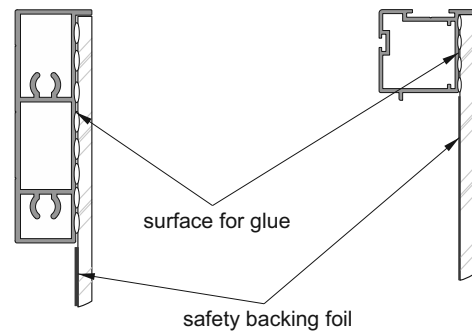


door filling:  
- mirror, coloured glass # 4 mm

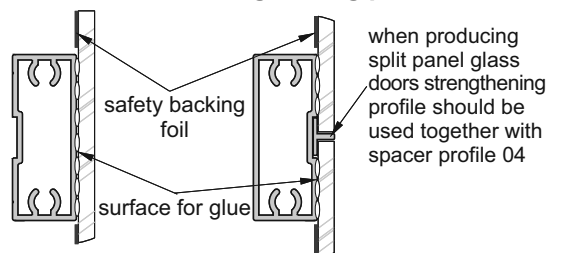


**Installation method for fitting mirror or coloured glass 4 mm**

- with horizontal profile      - with handle



- with strengthening profile



it is recommended that mirror / coloured glass is glued to aluminium profiles with specialist glass adhesive

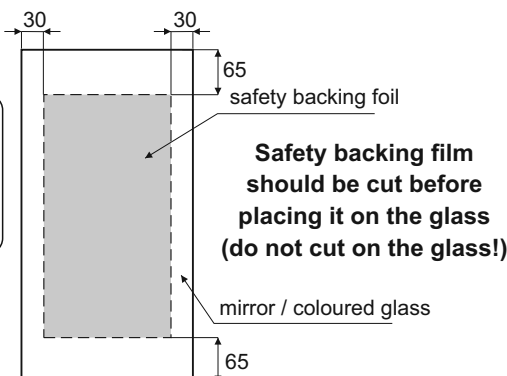
Door width	$w = (W + 25 \text{ mm}) : 2$
Mirror width	$w_m = w - 4 \text{ mm}$
Horizontal profile Eden length - L	$L = S = w - 50 \text{ mm}$
Strengthening profile length - S	
Spacer profile 04 length	$S + 46 \text{ mm}$

**ATTENTION!**

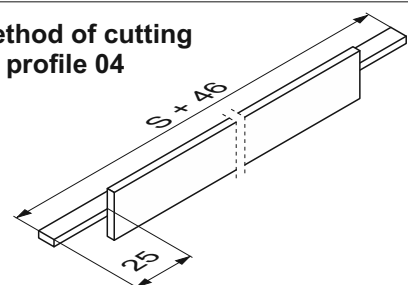
Rear mirror / coloured glass surface must be secured with safety backing foil (excluding glass surface glued with mirror adhesive).  
The edges of glass must be polished.

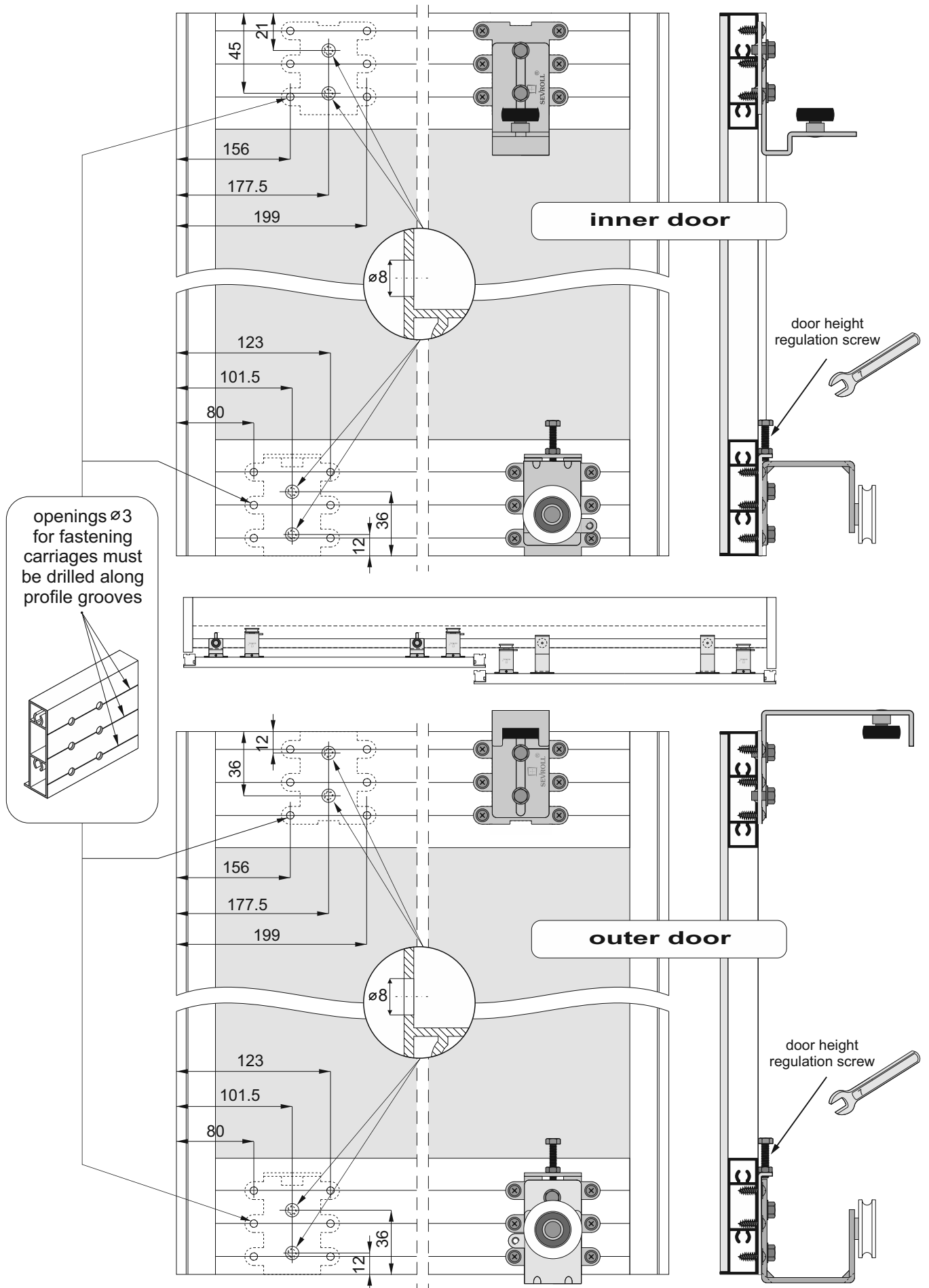
**ATTENTION**

In Eden system with doors taller than 2 m it is possible for the door wing to bow +/- 5 mm



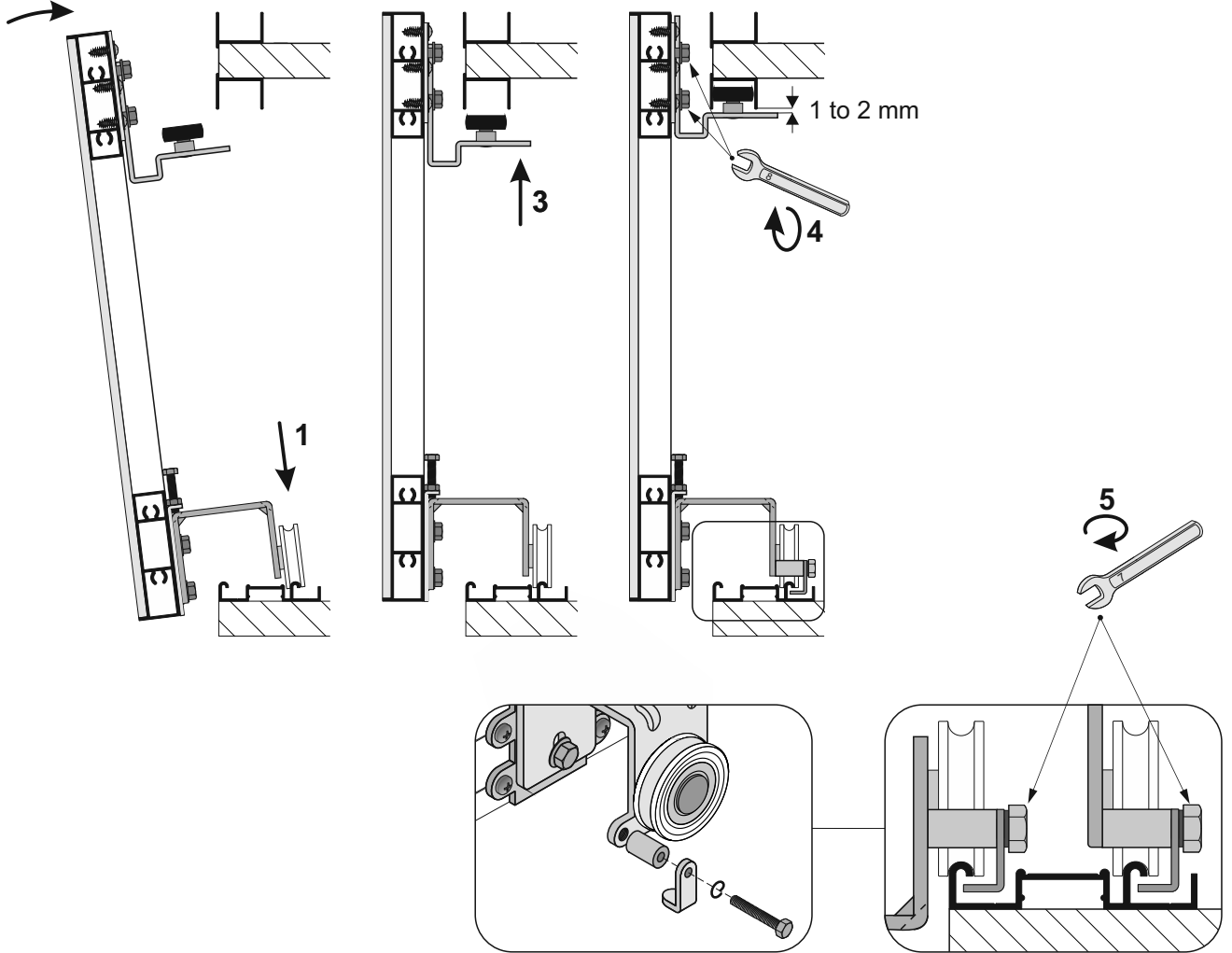
**The method of cutting spacer profile 04**





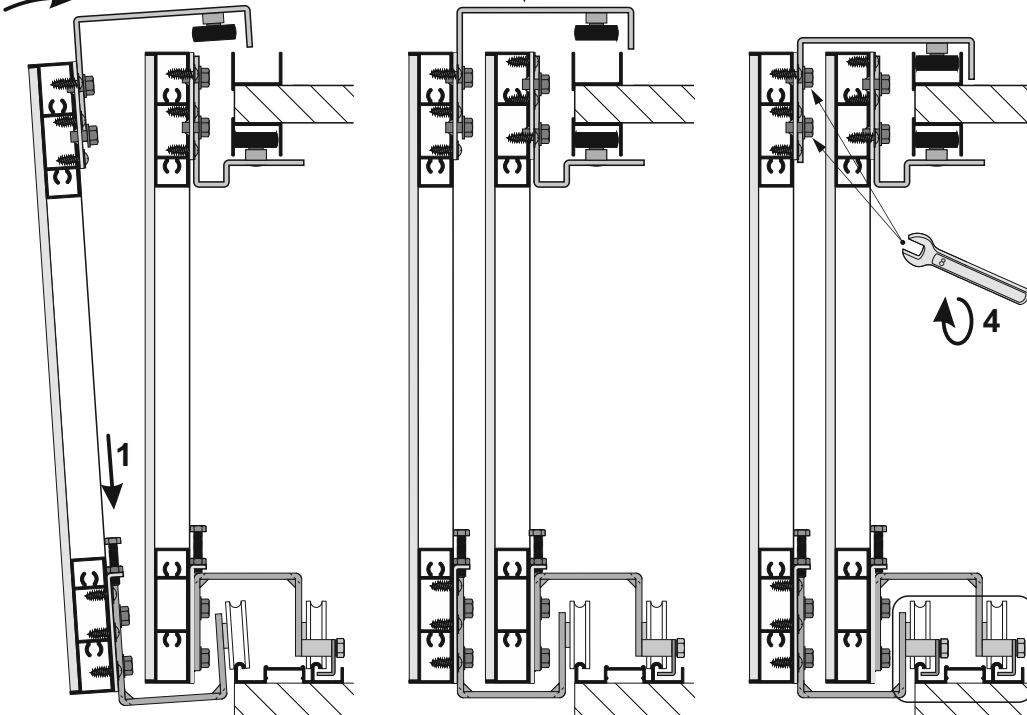


### 2 Inner door installation



securing catch  
- fasten after door assembly

### 2 Outer door installation





### Soft-close installation

