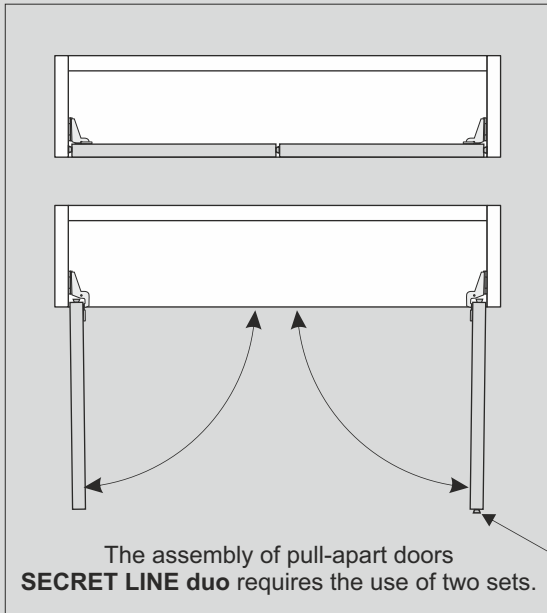
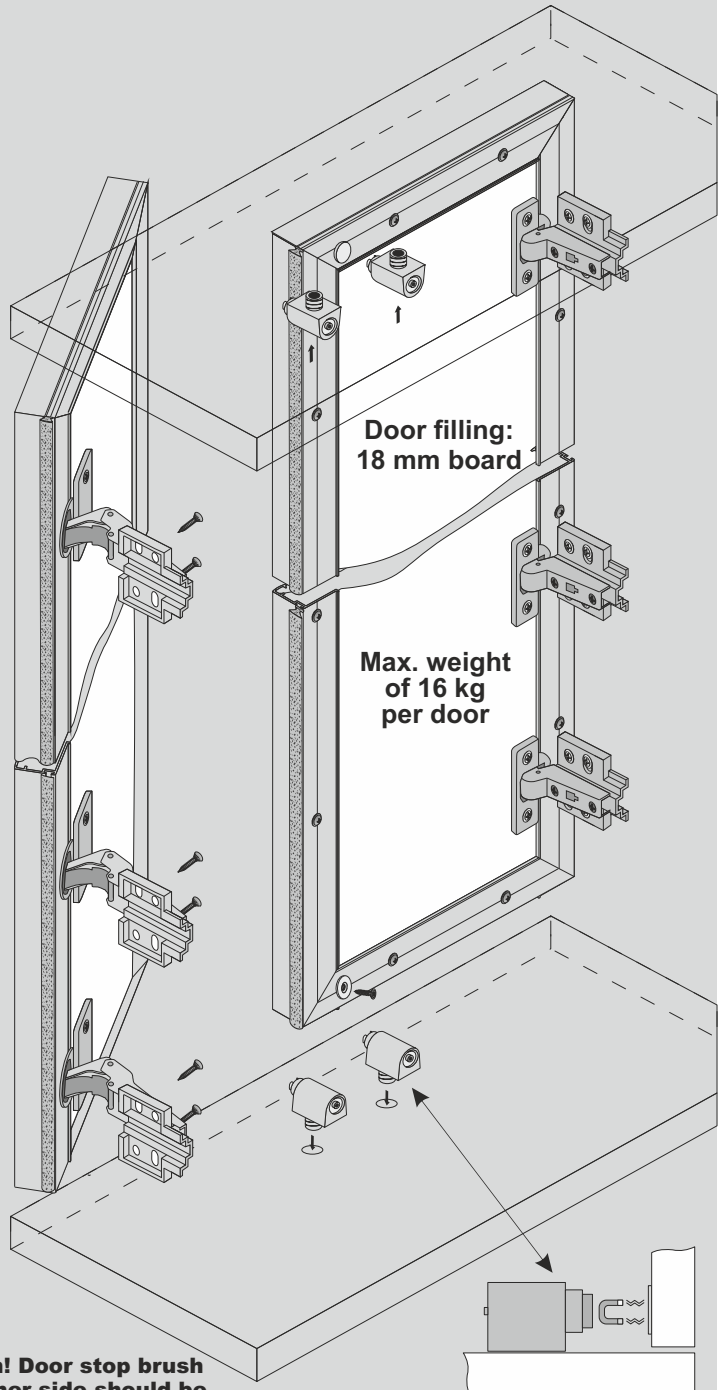
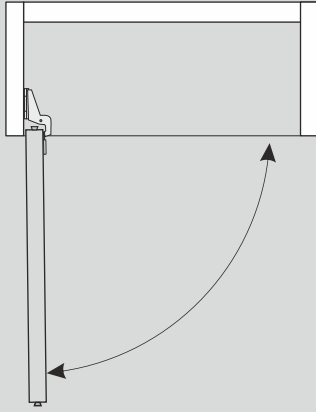
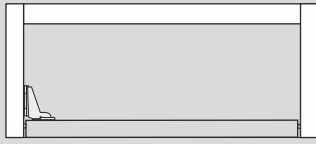




LINE

SYSTEM

DR SECRET LINE / DR FRAME LINE



Attention! Door stop brush on the inner side should be used on one wing only

COMPONENTS

Frame Secret Line II

Inset hinge (cup ø 35 mm, hole spacing 45 mm) with clip on and soft close

x4

Magnetic catch

x2

Textile door stop self-adhesive 4.8 mm x 4 mm

Screws

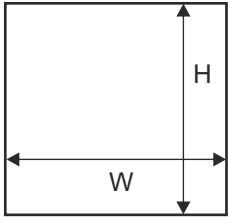
screw 2.5x16 (frame) x 14 pcs



LINE

DR SECRET LINE / DR FRAME LINE

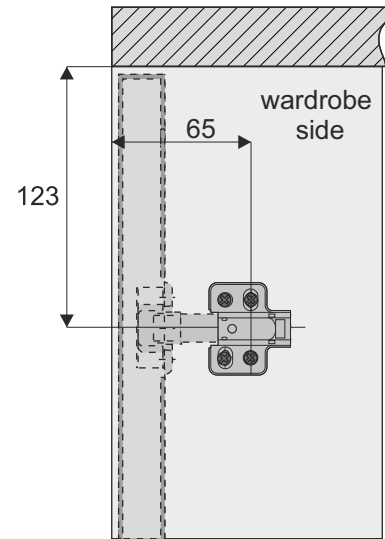
SYSTEM



Dimensions of opening

door height		- h	$h = H - 6 \text{ mm}$
board height		- hb	$hb = h - 3 \text{ mm}$
single door system	door width	- w	$w = W - 6 \text{ mm}$
	door width	- w	$w = (W - 9 \text{ mm}) : 2$
board width		- wb	$wb = w - 3 \text{ mm}$

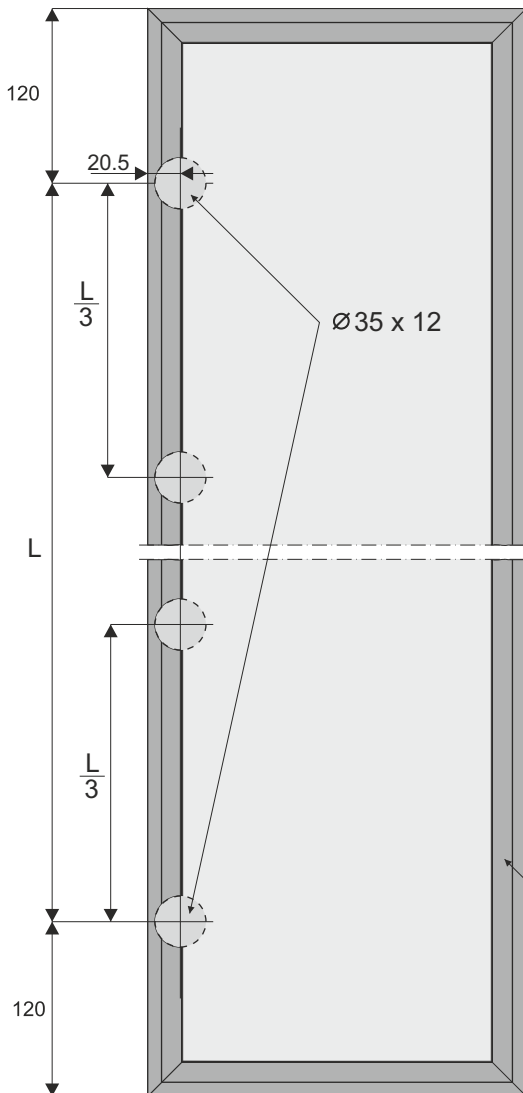
Mounting position of hinge seat



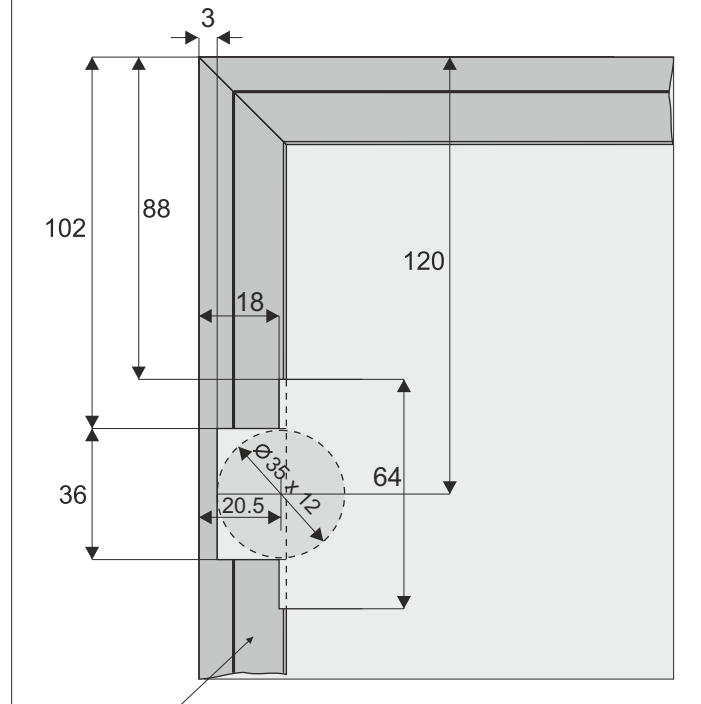
Max. weight of 4 kg per 1 hinge

The weight 1 m² of 18 mm board = 13 kg

Method for positioning hinge recesses



The drawing below shows an alternative method (when it is not possible to cut Ø 35 mm openings in the aluminium profiles)



frame SECRET LINE II

ATTENTION!

Remove protective film from aluminium elements (handles, tracks, connectors, etc.) prior to cutting them to the desired size. Film removal will reveal quality issues (eg. scratches)