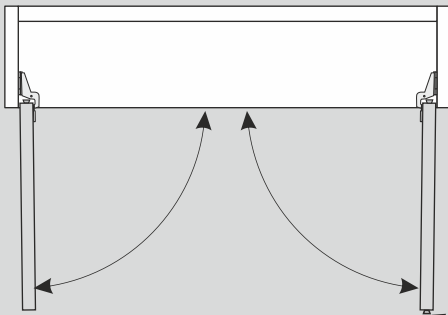
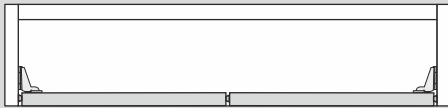
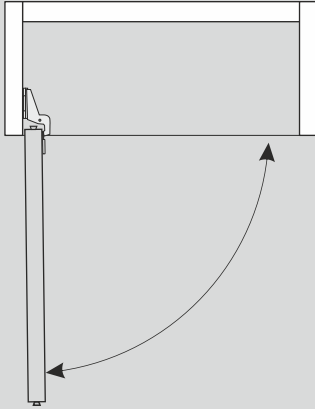
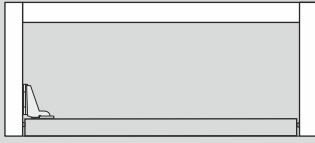




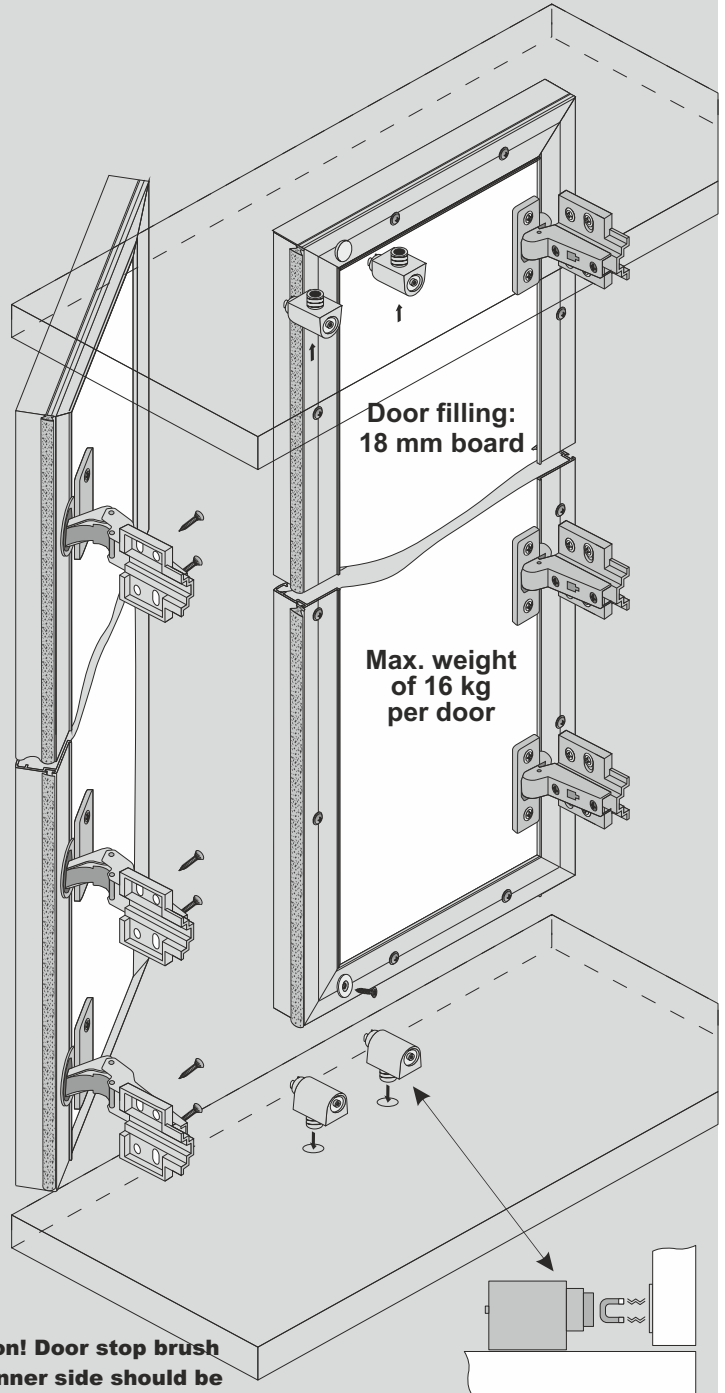
LINE

SYSTEM

DR SLIM LINE / DR FRAME LINE



The assembly of pull-apart doors SLIM LINE duo requires the use of two sets.



COMPONENTS

Frame Slim Line

Inset hinge (cup ø 35 mm, hole spacing 45 mm) with clip on and soft close

X4

Magnetic catch

x2

Textile door stop self-adhesive 4.8 mm x 4 mm

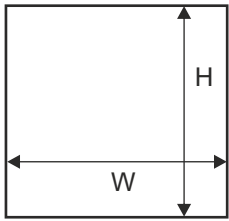
Screws

screw 2.5x16 (frame) x 14 pcs



LINE

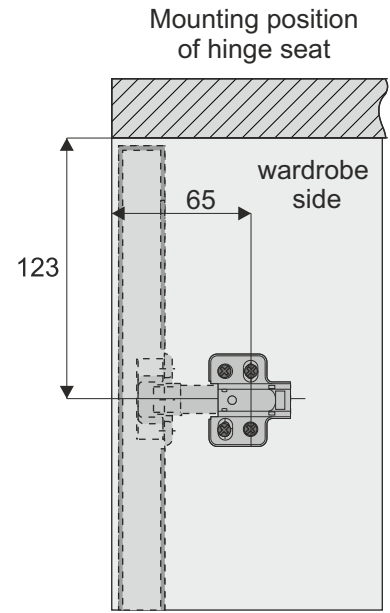
SYSTEM

DR SLIM LINE / DR FRAME LINE

Dimensions of opening

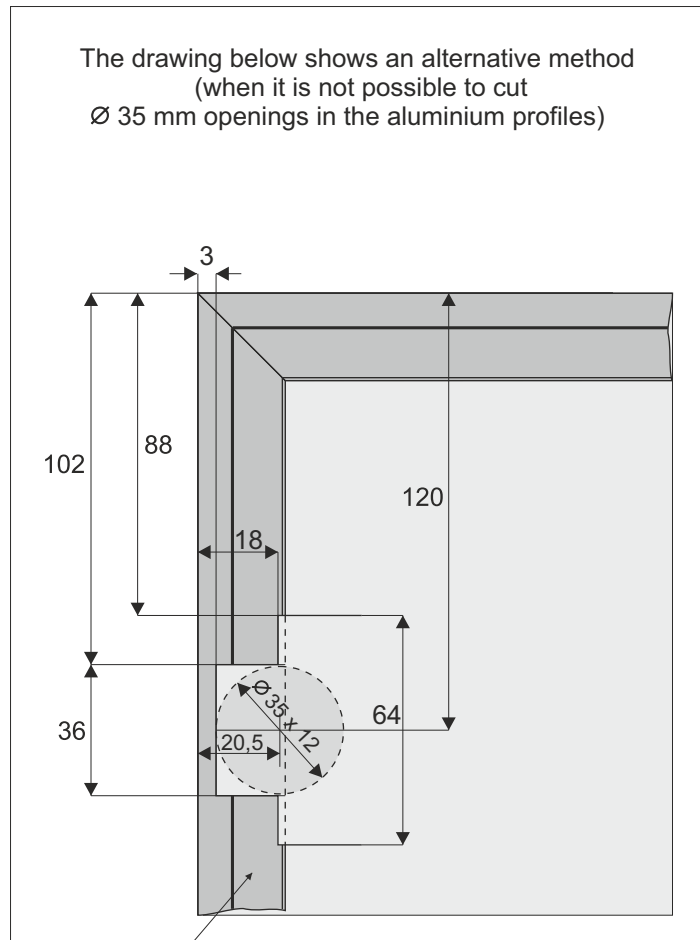
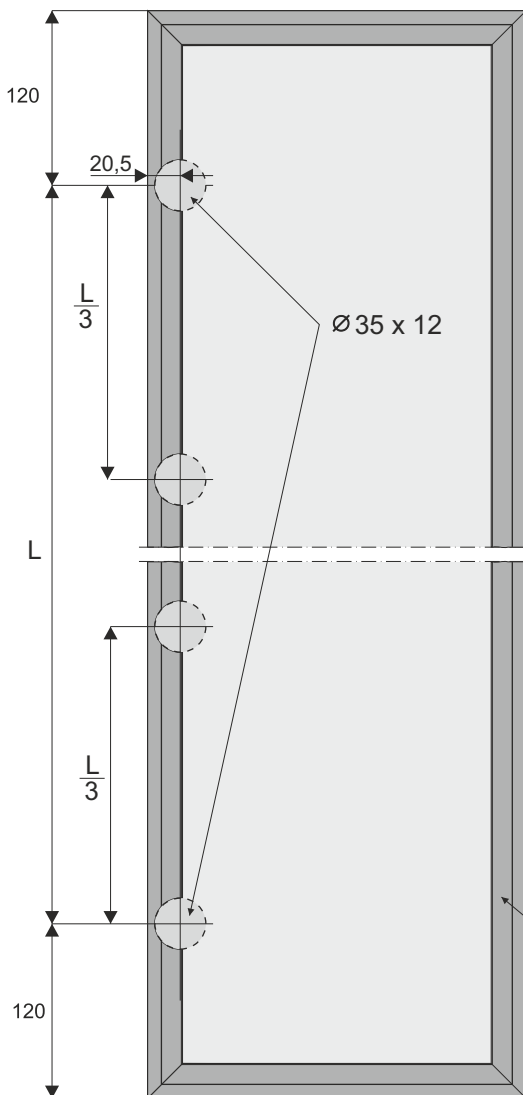
door height	- h	$h = H - 6 \text{ mm}$	
board height	- hb	$hb = h - 6 \text{ mm}$	
single door system	door width	- w	$w = W - 6 \text{ mm}$
	door width	- w	$w = (W - 8 \text{ mm}) : 2$
board width	- wb	$wb = w - 6 \text{ mm}$	

The weight of 1 m² of 18 mm board = 13 kg



Max. weight of 4 kg per 1 hinge

Method for positioning hinge recesses



frame SLIM LINE

ATTENTION!

Remove protective film from aluminium elements (handles, tracks, connectors, etc.) prior to cutting them to the desired size. Film removal will reveal quality issues (eg. scratches)