

COMPONENTS

Handle

L: 2.70 m

| | |
|--------|-------|
| | |
| GEMINI | JULIA |
| | |
| KARAT | LYNX |
| | |
| | ROMEO |

Top track Exclusive

L: 1.20 m
1.80 m
3.00 m
3.60 m

44

Lower horizontal profile DECOR (A)

Profile MDF (inserted) (B)

A L: 1.70 m
2.35 m
3.00 m

B L: 2.80 m

Spherical stopper

Rubber bump stopper OGUE

Pathway door set ZPE-10

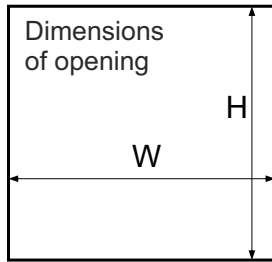
4 pcs
 $\varnothing 3.5 \times 16$

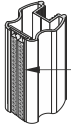


You must remember to purchase self-tapping screws to construct each door (4 screws per door). When using safety glass or mirror, you must also remember to purchase gaskets.

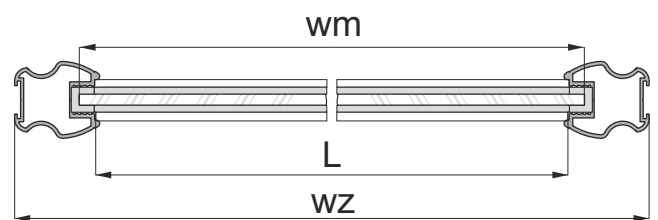
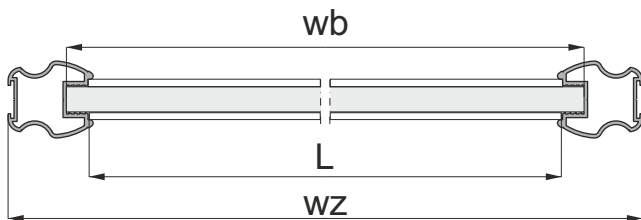


LINE

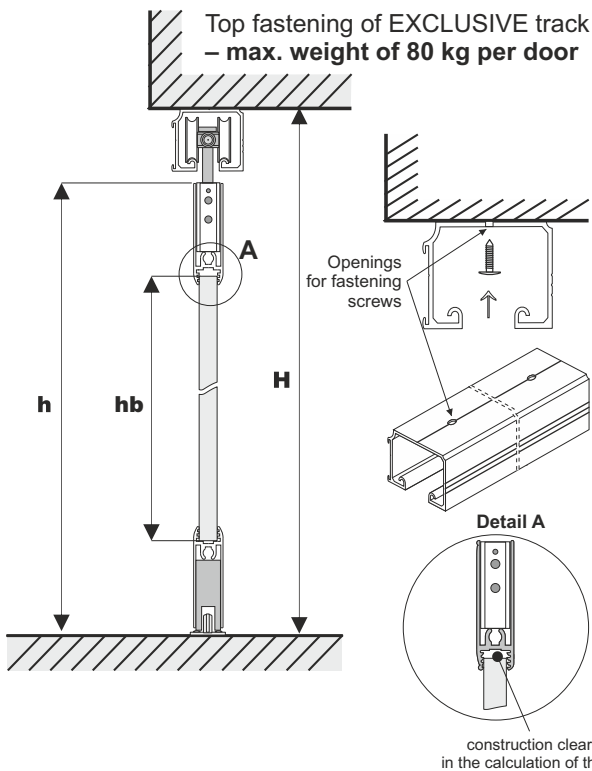
GEMINI, JULIA, KARAT, LYNX, ROMEO / SYSTEM EXCLUSIVE 10



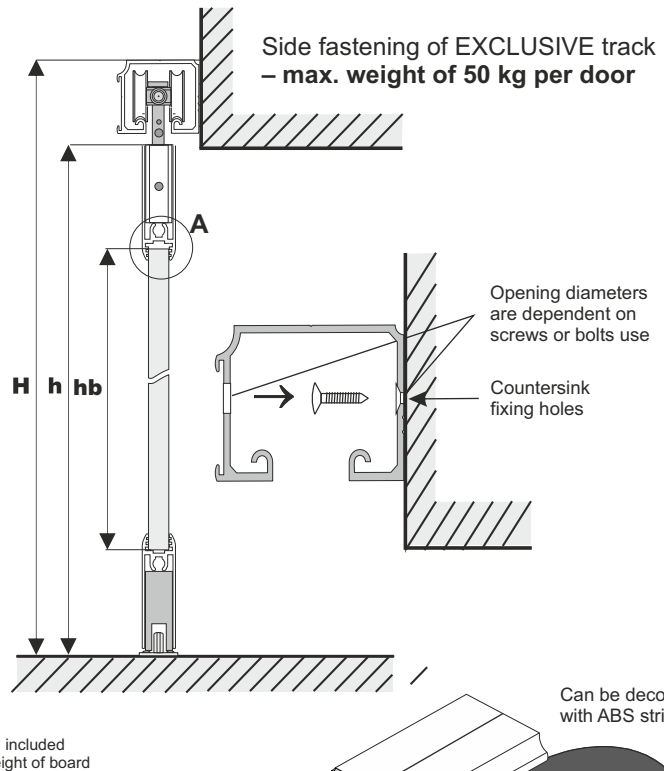
| | | Handle length = door height | | |
|---------------------------|------|---|--|--|
| | | LINE GEMINI | LINE JULIA / ROMEO | LINE KARAT / LYNX |
| | | Handle Gemini-Decor  textile door stop (inserted) 14 mm x 4 mm | Handle Julia II Handle Romeo II  textile door stop (inserted) 14 mm x 4 mm | Handle Karat Handle Lynx  textile door stop (inserted) 14 mm x 4 mm |
| door height | - h | $h = H - 46 \text{ mm}$ | $h = H - 46 \text{ mm}$ | $h = H - 46 \text{ mm}$ |
| board height | - hp | $hp = h - 97 \text{ mm}$ | $hp = h - 97 \text{ mm}$ | $hp = h - 97 \text{ mm}$ |
| assumed door width | - wz | wz | wz | wz |
| board width | - wb | $wb = wz - 46 \text{ mm}$ | $wb = wz - 25 \text{ mm}$ | $wb = wz - 41 \text{ mm}$ |
| horizontal profile length | - L | $L = wz - 62 \text{ mm}$ | $L = wz - 42 \text{ mm}$ | $L = wz - 58 \text{ mm}$ |
| mirror height | - hm | $hm = hb$ | $hm = hb$ | $hm = hb$ |
| mirror width | - wm | $wm = wb - 4 \text{ mm}$ | $wm = wb - 4 \text{ mm}$ | $wm = wb - 4 \text{ mm}$ |



1. Track within the opening



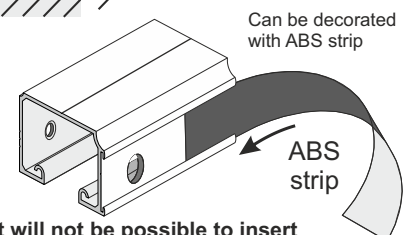
2. Track outside the opening



ATTENTION!

Mirror (4 mm) should be used with a safety backing film. Safety glass (4.5 mm) comprises of two thin layers with a film in-between. Both mirror and glass need fitting gaskets.

When using side fixings, insert ABS strip to cover screw holes.



In cases that it will not be possible to insert carriages after the installation of the top track, carriages should be inserted prior to track installation.

ATTENTION!

Remove protective film from aluminium elements (handles, tracks, connectors, etc.) prior to cutting them to the desired size. Film removal will reveal quality issues (eg. scratches)