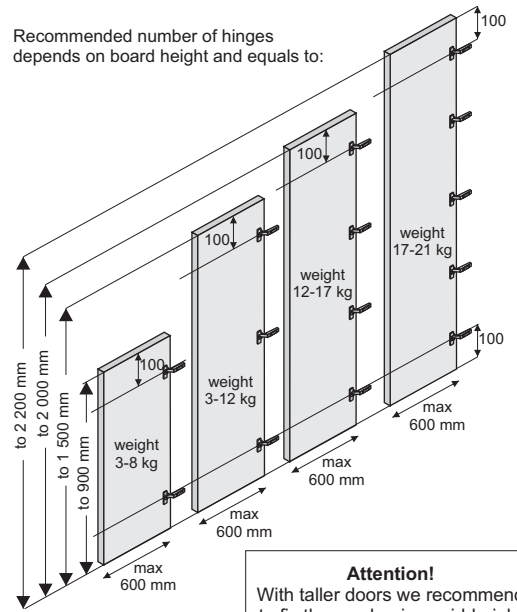
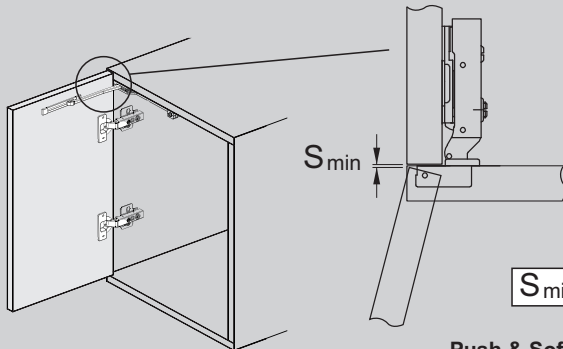


	standard mechanism	strong mechanism	super strong mechanism
weight	≤ 7.5 kg	≤ 20 kg	≤ 25 kg
H	≤ 700 mm	≤ 2200 mm	≤ 2800 mm
D	≤ 600 mm	≤ 600 mm	≤ 600 mm

Recommended number of hinges depends on board height and equals to:



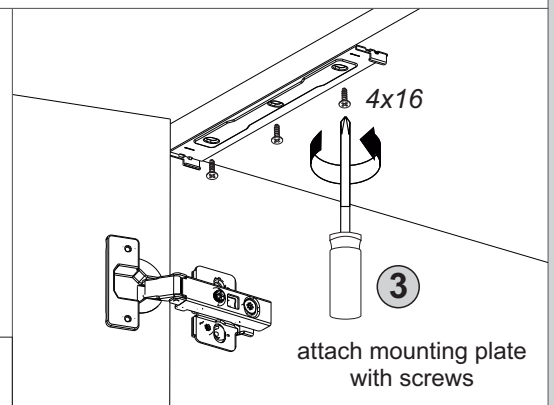
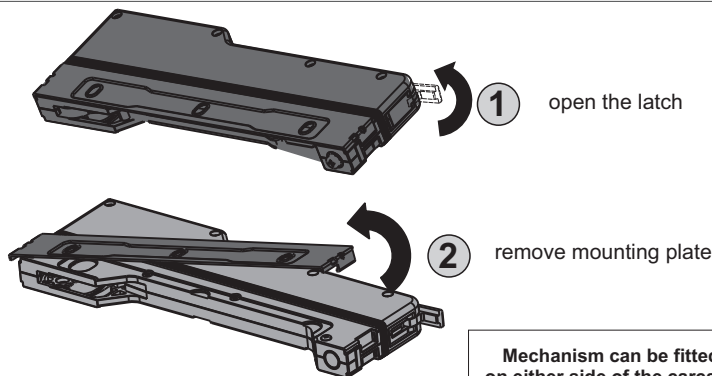
**Attention!**  
With taller doors we recommend to fix the mechanism mid-height (eg. under the shelf)



	standard mechanism	strong mechanism	super strong mechanism
S <sub>min</sub>	≥ 2 mm	≥ 3 mm	≥ 3 mm

**Push & Soft mechanism must be used with unsprung hinges**

## Installation of Mechanism to carcass with mounting plate



## Positioning of mounting plate in carcass

**Attention!**  
Paper template included with set

for doors with full overlay hinge	for doors with half overlay hinge	for doors with inset hinge

G - door thickness

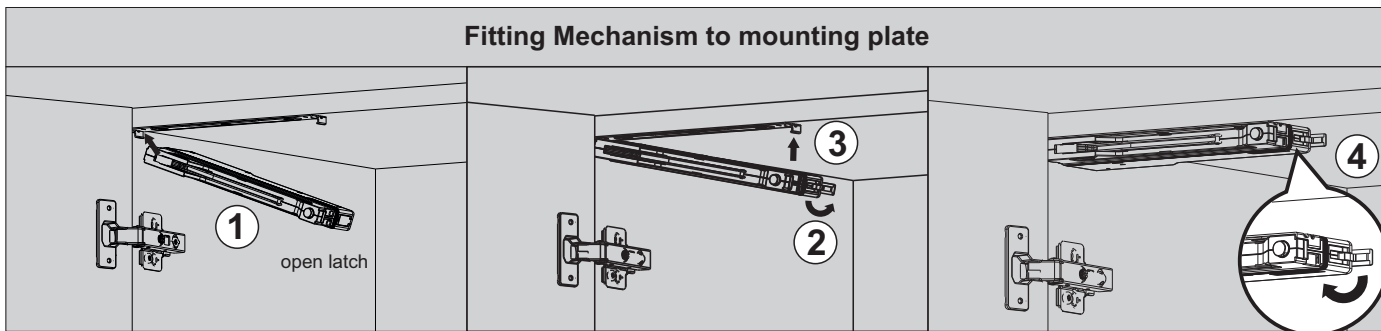
## COMPONENTS

Push & Soft mechanism for fronts			
Push & Soft mechanism standard / strong / super strong	guide	paper template	screws 4x16 (mechanism)
X1	X1	X2	X4
	guide covers	stopper	screws 4x14 (mounting plate)
	X2	X2	X2

## ADDITIONAL PARTS

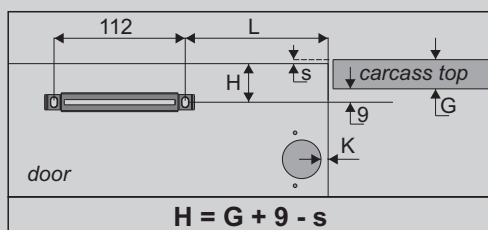
Unsprung Hinge 35	
	x2
1 inset	
2 full overlay	
3 half overlay	

## Fitting Mechanism to mounting plate



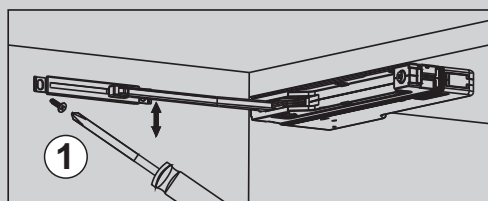
Insert mechanism into first catch of the mounting plate (1) open latch (2) and insert mechanism into the second catch of the mounting plate (3) Close the latch (4)

## Assembly of guide in doors



L	A - door overlap					
	16	17	18	19	20	
3	76	77	78	79	80	
K	4	77	78	79	80	81
5	78	79	80	81	82	

G - carcass top thickness  
s - gap between top door edge and top of carcass



Determine position of the guide based on instructions or template included in the set. Fix guide to door with screws 4\*14 and regulate position vertically (1). Slide out the arm of the mechanism and insert it into the channel of the guide, then block (2). Slide covers onto both ends of the guide (3) Open and close the door a few times to check if push and soft-close operate correctly (4) If necessary tighten or loosen the screw of the activator button (5) in order to regulate the gap between the door and carcass. Then apply the stopper over the screw of activator button (6)

