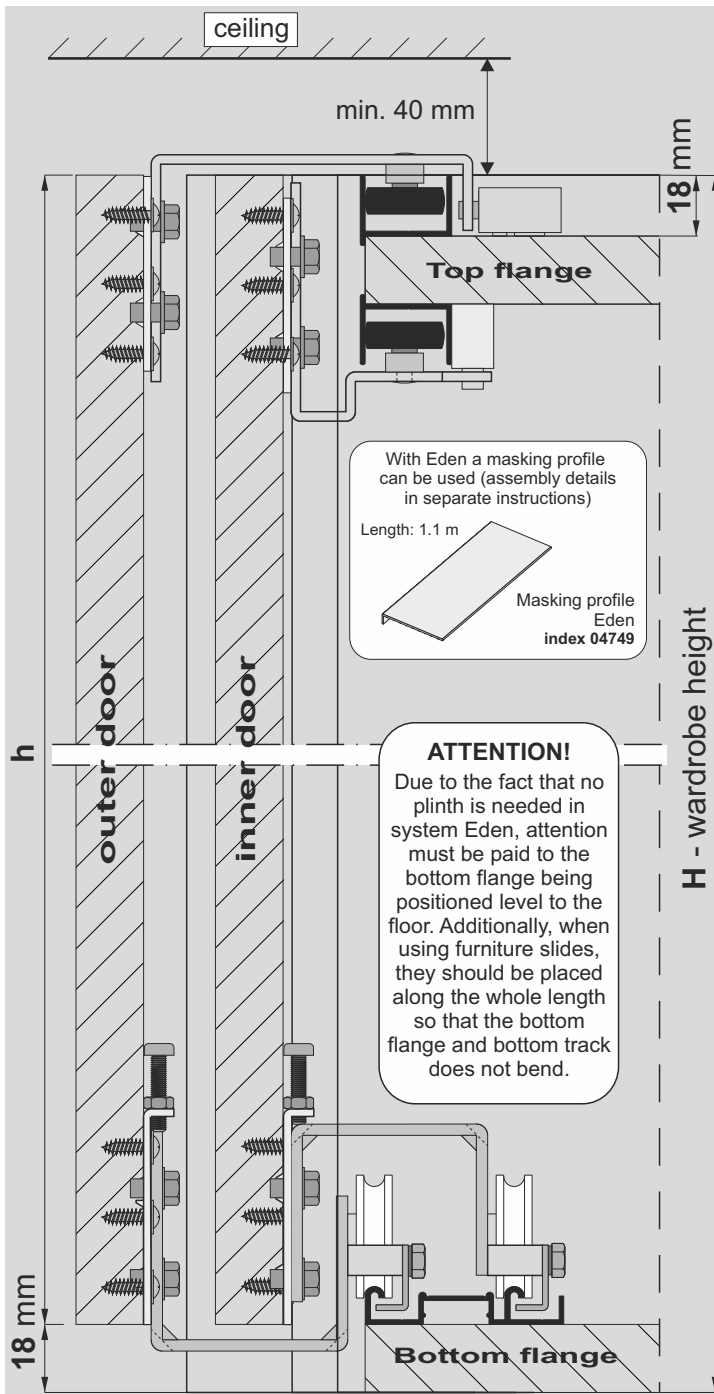




SYSTEM

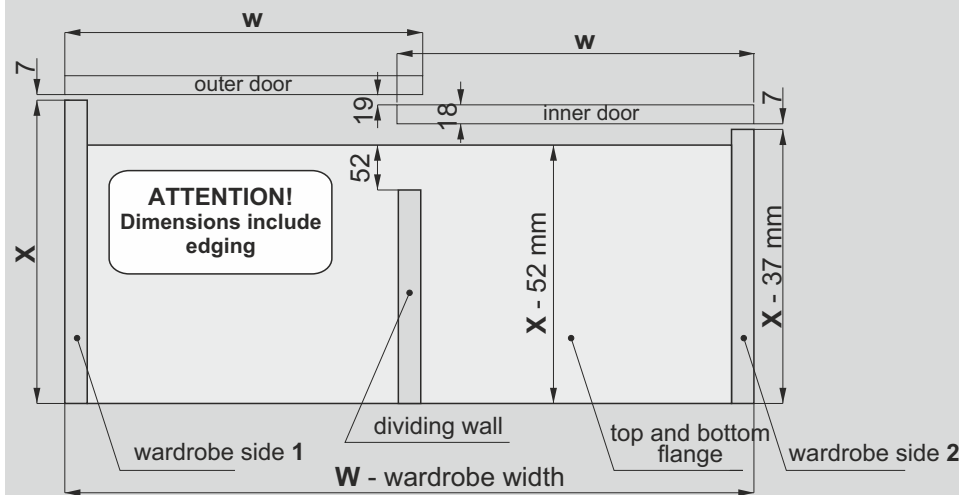
EDEN 18 BOARD – 2 door wings



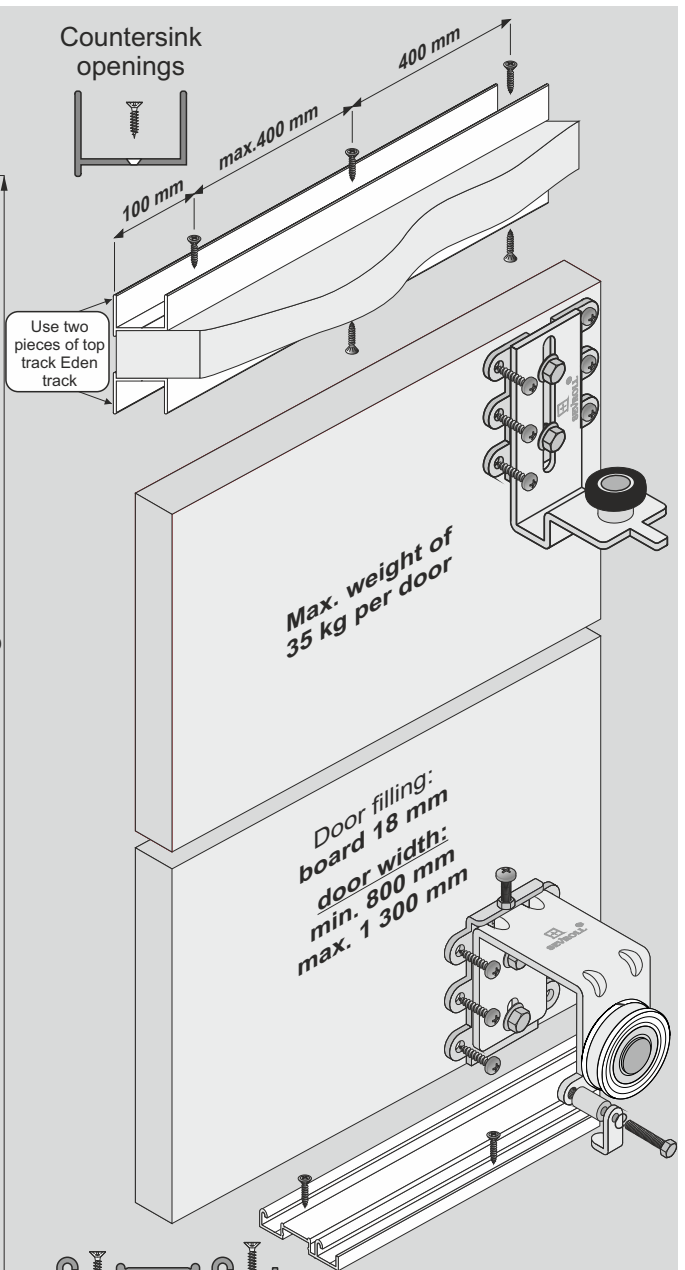
With Eden a masking profile can be used (assembly details in separate instructions)
 Length: 1.1 m
 Masking profile
 Eden
 index 04749

ATTENTION!
 Due to the fact that no plinth is needed in system Eden, attention must be paid to the bottom flange being positioned level to the floor. Additionally, when using furniture slides, they should be placed along the whole length so that the bottom flange and bottom track does not bend.

door height - h $h = H - 18 \text{ mm}$
 door width - w $w = (W + 36 \text{ mm}) : 2$

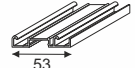



ATTENTION!
 Dimensions include edging

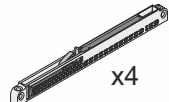


countersink holes to prevent protrusion of screw head

COMPONENTS

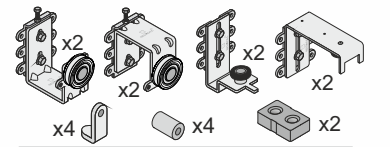
Bottom track Gemini-Decor II	Top track Eden
L: 1.70 m, 2.35 m, 3.00 m, 4.05 m, 6.00 m	L: 1.70 m, 2.35 m, 3.00 m, 6.00 m
 53	 24

Soft-close
MINI SV-25 (index: 20359-SV) or
MINI SV-40 (index: 20260-SV)



x4

Set for sliding door Eden – 2 door wings



x2 x2 x2 x2 x4 x2

screw 3.5x20 x 4 self-tapping screw x 48 3.9x13
 screw M4x20 x 4 spring washer 4 x 4

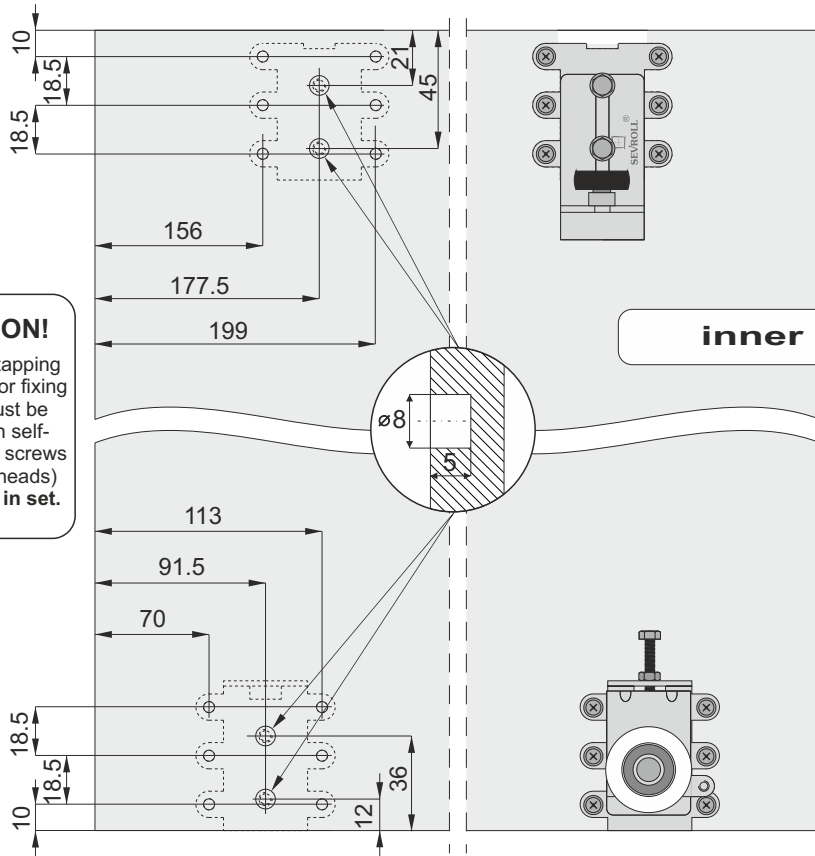


SYSTEM

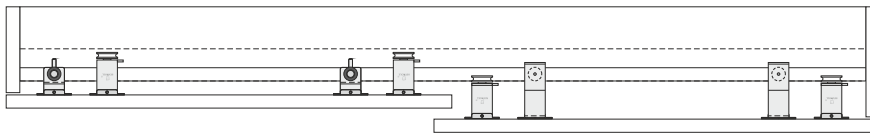
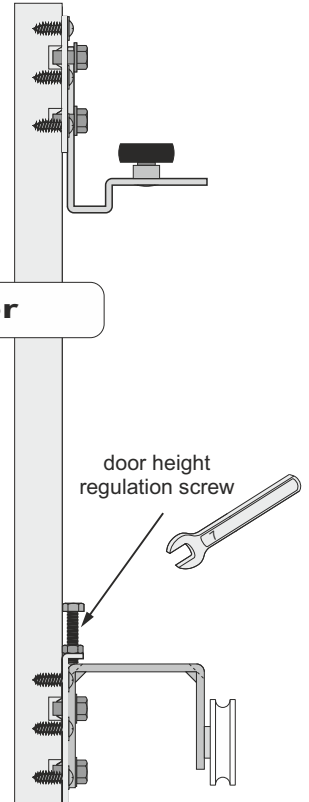
EDEN 18 BOARD – 2 door wings



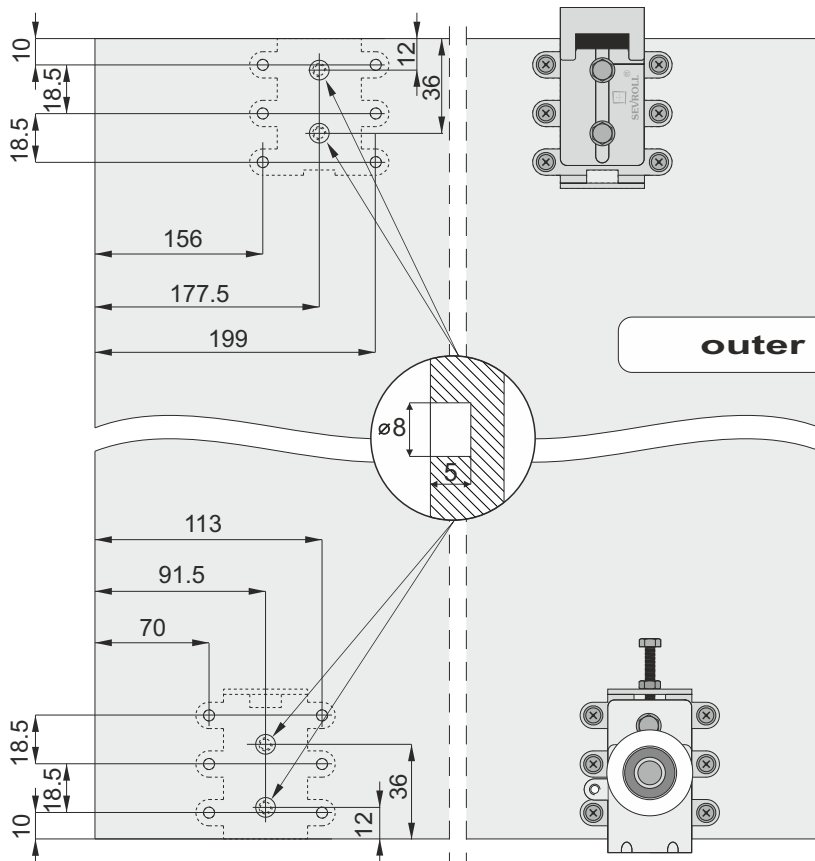
ATTENTION!
 Included self-tapping metal screws for fixing carriages must be replaced with self-tapping woods screws 4x16 (Dome heads) **Not included in set.**



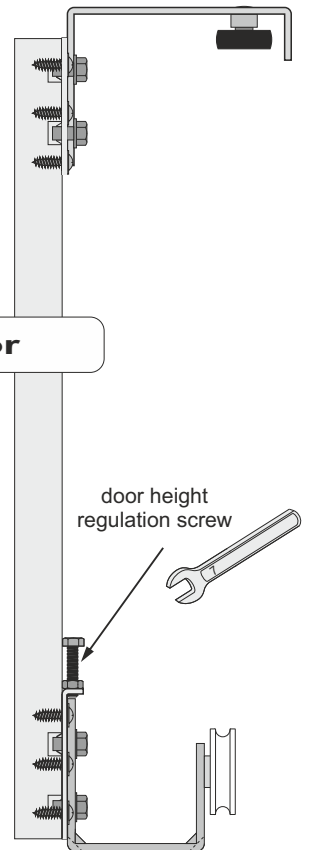
inner door



ATTENTION!
 To eliminate the possibility of doors bowing (with low quality board) it is recommended to install Sevroll's door straightening kits.



outer door



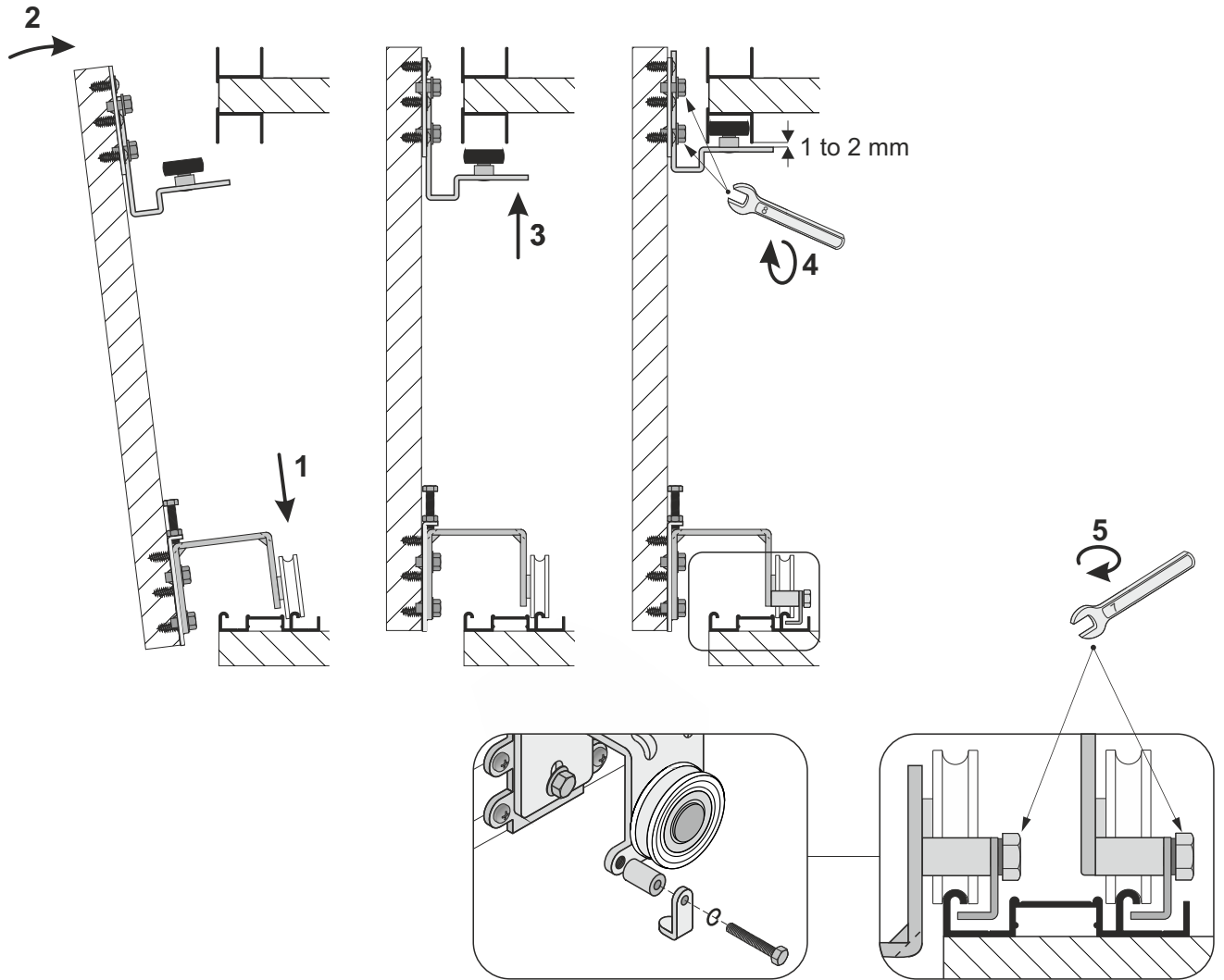


SYSTEM

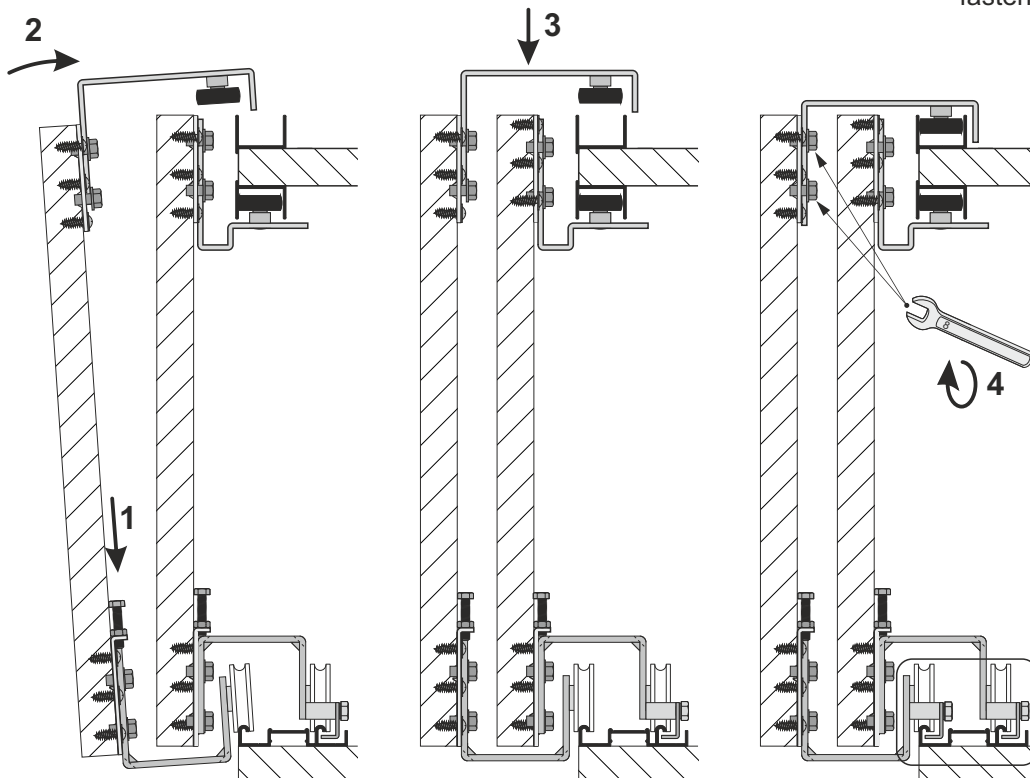
EDEN 18 BOARD – 2 door wings

SEVROLL®

Inner door installation



Outer door installation





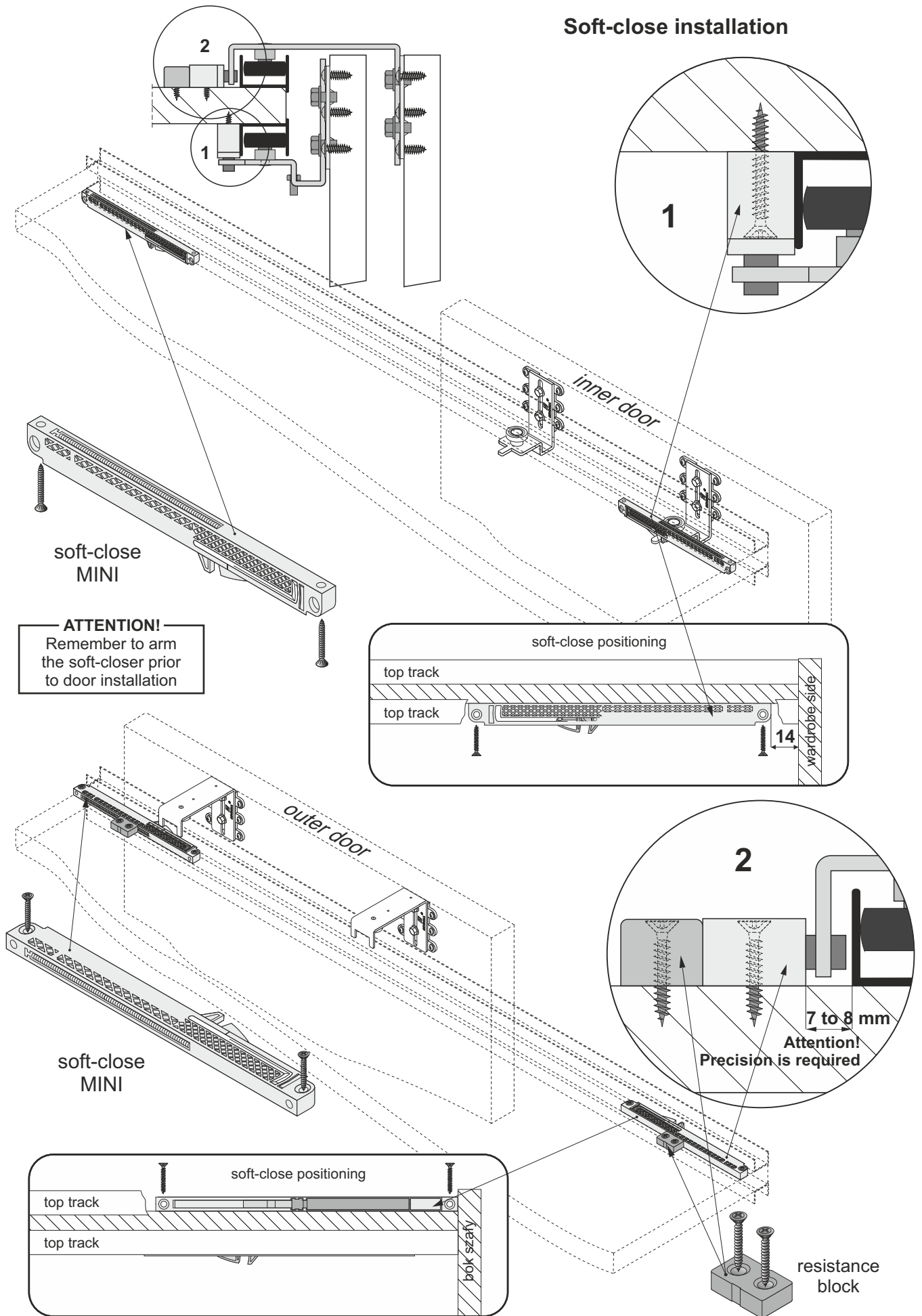
SYSTEM

EDEN 18 BOARD – 2 door wings



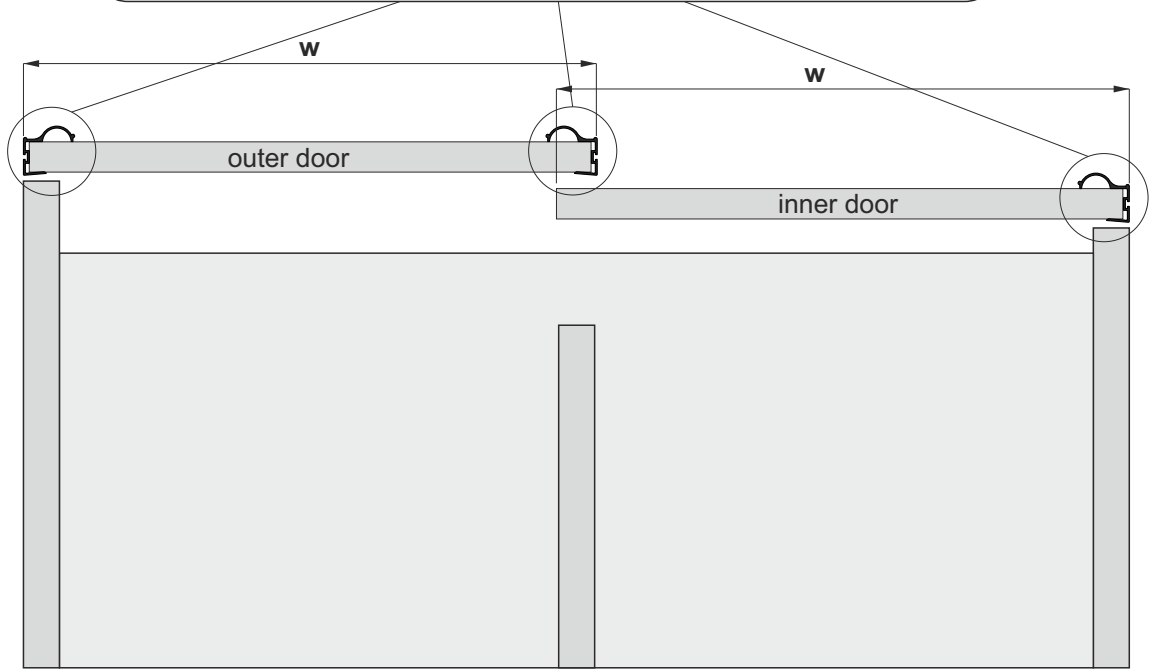
SEVROLL®

Soft-close installation



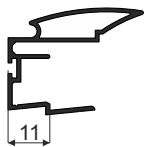
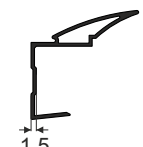
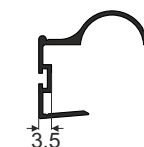
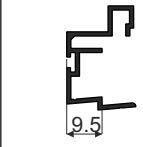
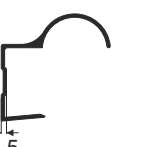
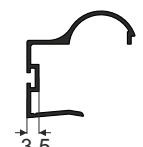
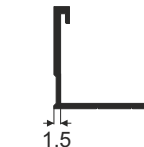
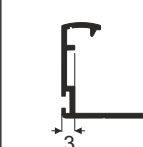
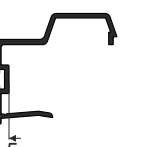
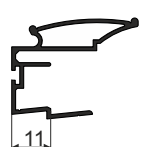


ATTENTION! With system **Eden Board** for use with **18 mm** board you can use handle profiles from our **Gemini 18** range.
Inner door/s - 1 handle
Outer door - 2 handles
(Door width calculations change)



door width	- w	$w = (W + 36 \text{ mm}) : 2$
board width <i>(outer door)</i>	- w_{p_o}	$w_{p_o} = w - 2x$
board width <i>(inner door)</i>	- w_{p_i}	$w_{p_i} = w - x$

The value of **x** depends on the handle profile used

 Alfa x = 11 mm	 Beta x = 1.5 mm	 Factor x = 3.5 mm	 Faworyt x = 9.5 mm
 Focus x = 1.5 mm	 Focus II x = 3.5 mm	 Secret Line x = 1.5 mm	 Slim Line x = 3 mm
 Universal x = 3.5 mm	 Victoria x = 11 mm		

Carriage installation

