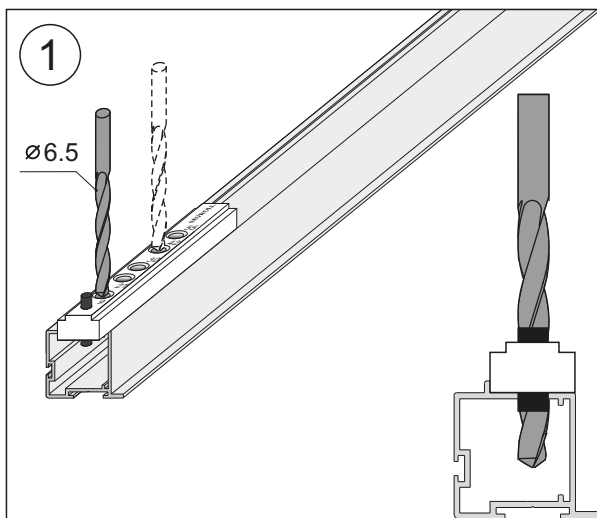
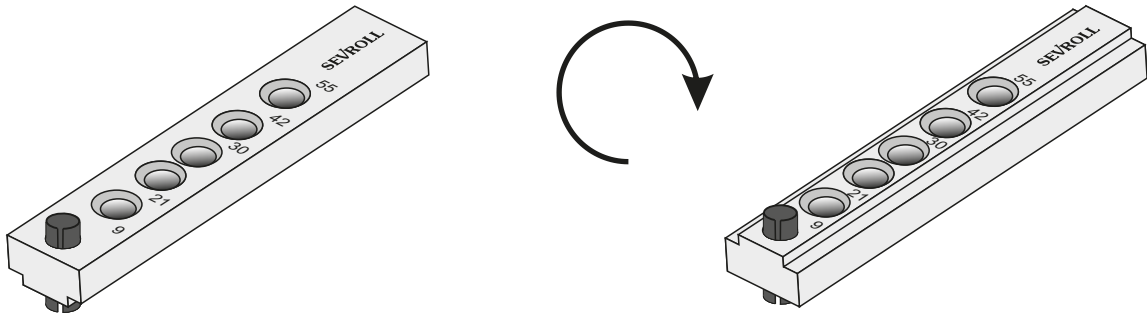
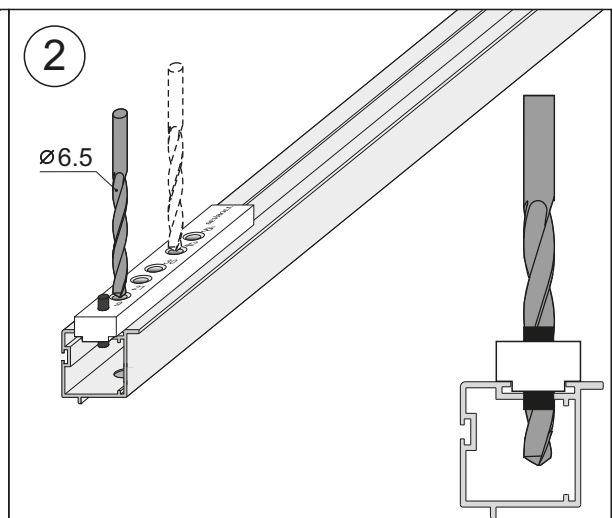


Double sided drilling jig PAX

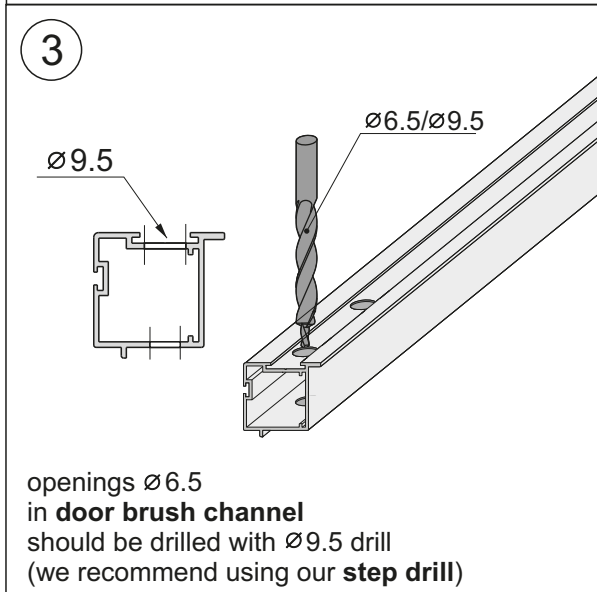
Double sided drilling jig enables detailed and fast drilling of openings in profiles, when assembling doors in system GEMINI 4 and EDEN 4.



System GEMINI 4 – openings 9 and 42 mm
System EDEN 4 – openings 21 and 55 mm



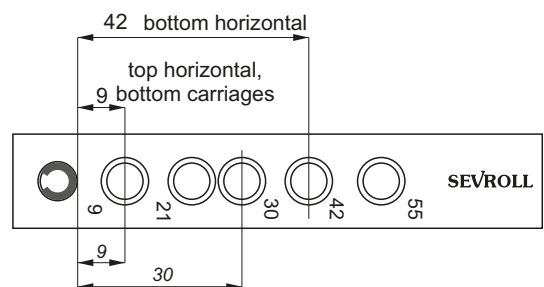
System GEMINI 4 – openings 9 and 42 mm
System EDEN 4 – openings 21 and 55 mm



openings $\varnothing 6.5$
in **door brush channel**
should be drilled with $\varnothing 9.5$ drill
(we recommend using our **step drill**)

Dimensions and positioning of openings

System GEMINI 4



9, 30 mm - lower / upper hinge (hinged doors)

System EDEN 4

