



LINE

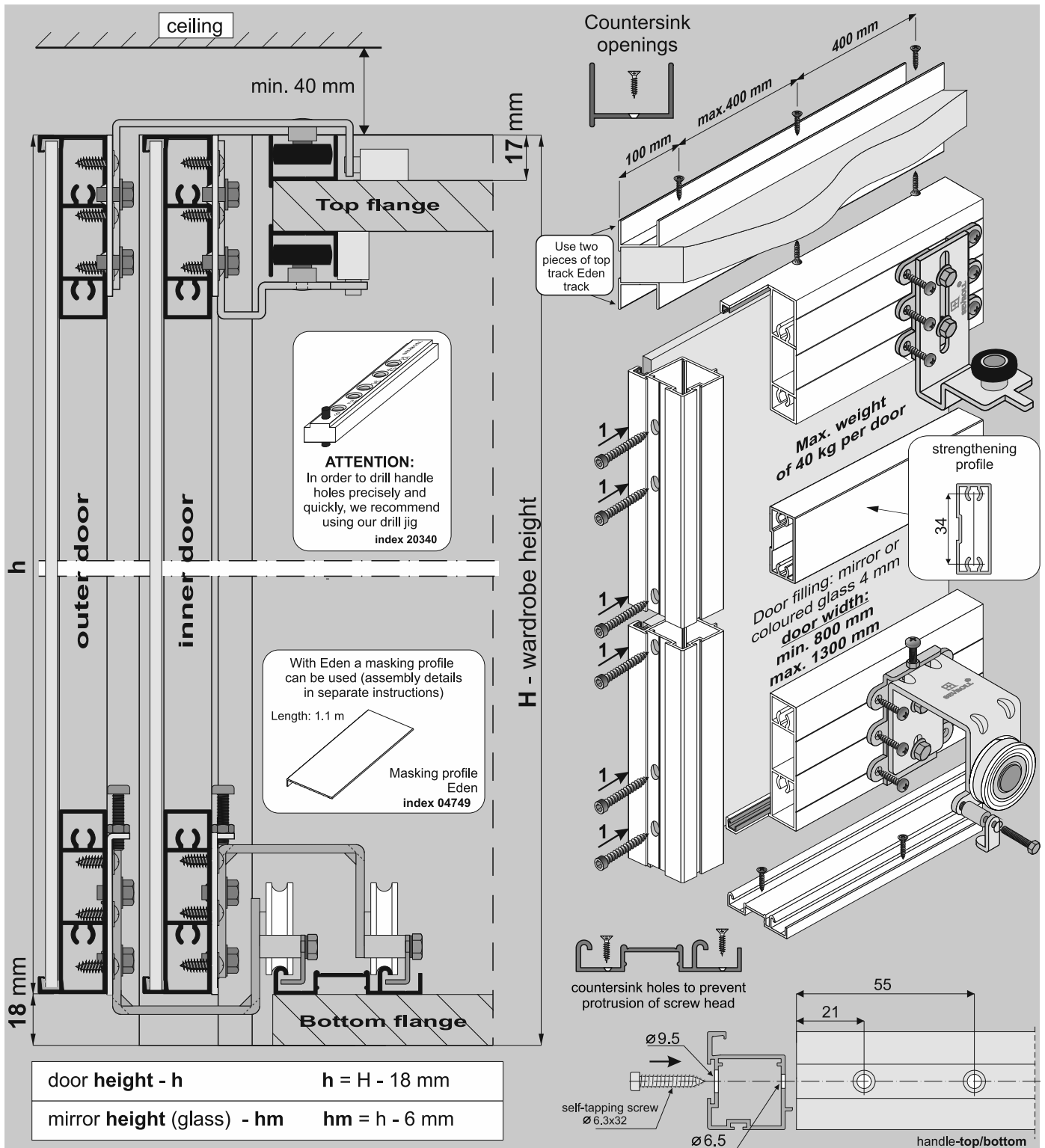
Pax XL

SYSTEM

EDEN 4 – 2 door wings



SEVROLL®



COMPONENTS

Handle Pax XL L: 2.70 m, 3.00 m Anti-dust brush (inserted) 4,8 x 6 mm Textile door stop (inserted) 14 x 4 mm	Gasket for frame type II 	Horizontal profile Eden XL L: 1.70 m, 2.35 m, 3.00 m	Set for sliding door Eden - 2 door wings 	Soft-close MINI SV-25 (index: 20359-SV) or MINI SV-40 (index: 20260-SV)
Bottom track Gemini-Decor II L: 1.70 m, 2.35 m, 3.00 m, 4.05 m, 6.00 m 	Top track Eden L: 1.70 m, 2.35 m, 3.00 m, 6.00 m 	Strengthening profile L: 3.00 m 	screw 3,5x20 x 4 screw M4x20 x 4 self-tapping screw 3.9x13 x 48 spring washer 4 x 4	x4

You must remember to purchase self-tapping screws to construct each door (min. 8 screws per door).



LINE

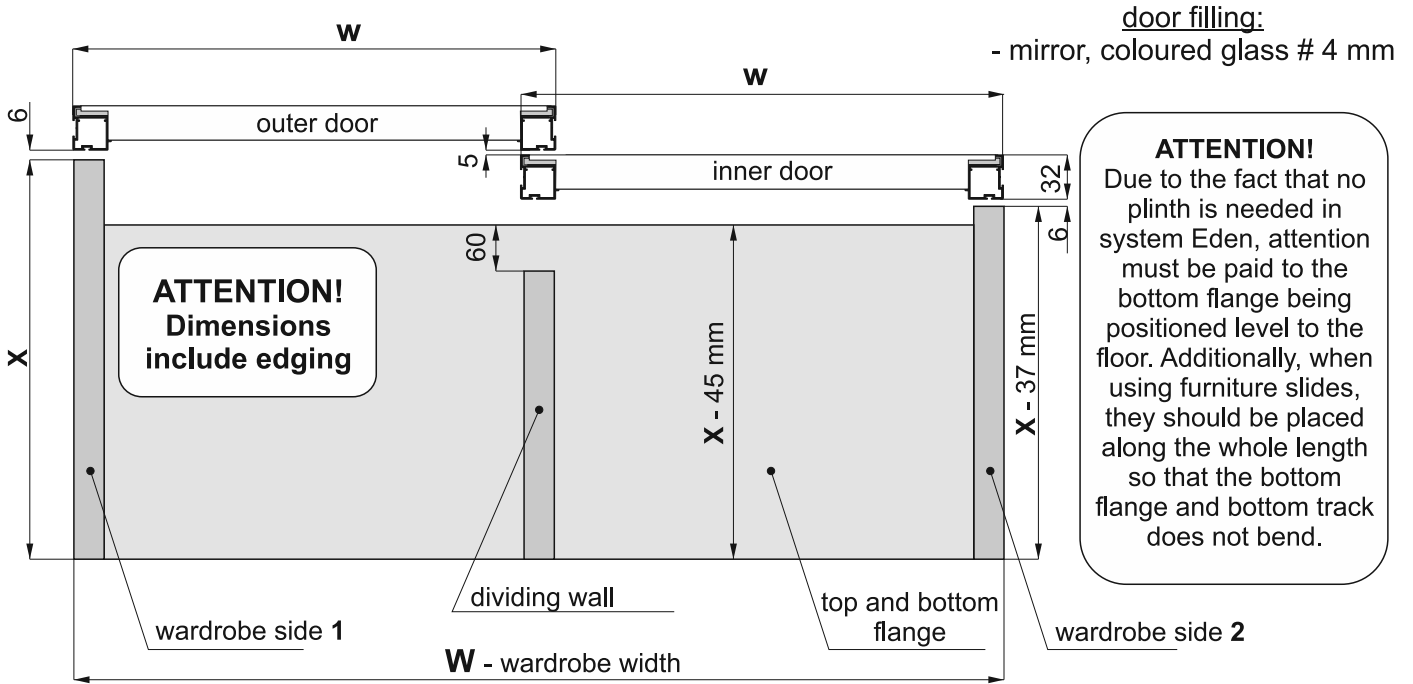
Pax XL

SYSTEM

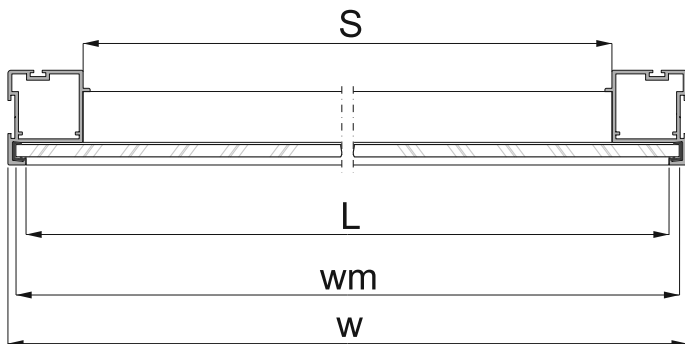
EDEN 4 – 2 door wings



SEVROLL®

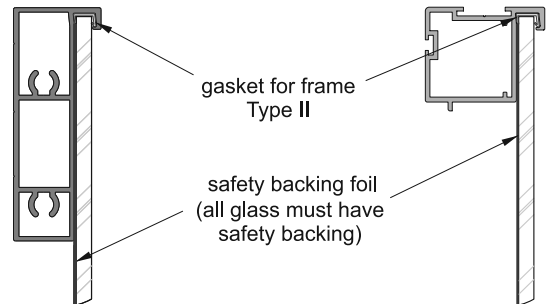


Installation method for fitting mirror or coloured glass 4 mm



- with horizontal profile

- with handle



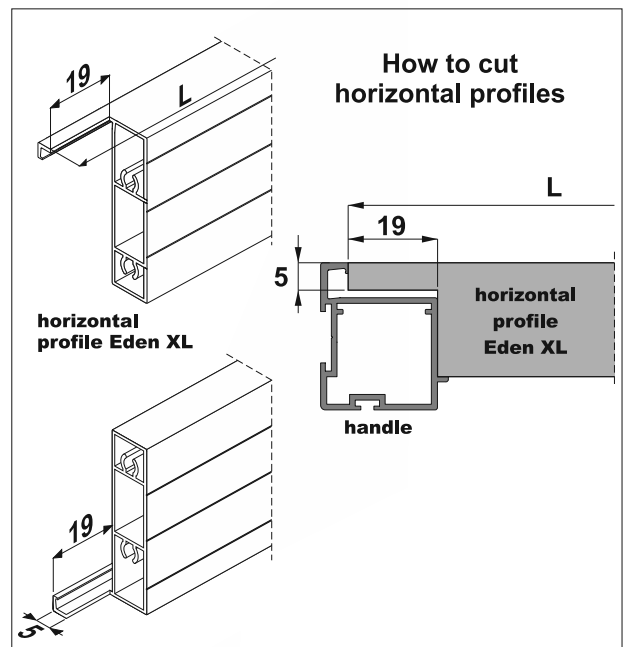
Door width	$w = (W + 25 \text{ mm}) : 2$
Mirror width (glass)	$w_m = w - 6 \text{ mm}$
Horizontal profile Eden XL length	$L = w - 12 \text{ mm}$
Strengthening profile length	$S = w - 50 \text{ mm}$

ATTENTION!

Rear mirror / coloured glass surface must be secured with safety backing foil (excluding glass surface glued with mirror adhesive). The edges of glass must be polished.

ATTENTION

In Eden system with doors taller than 2 m it is possible for the door wing to bow +/- 5 mm





LINE

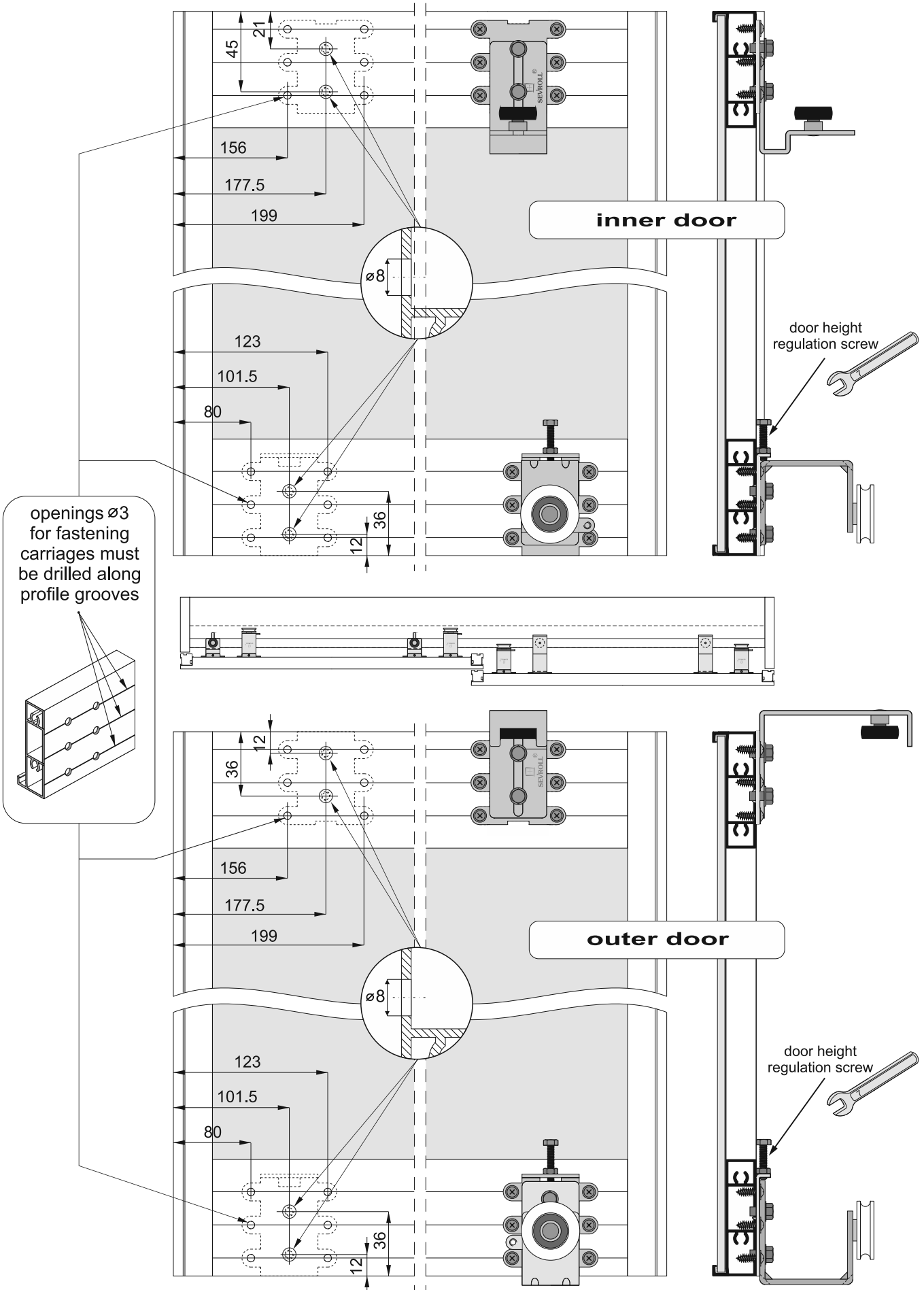
Pax XL

SYSTEM

EDEN 4 – 2 door wings



SEVROLL





LINE

Pax XL

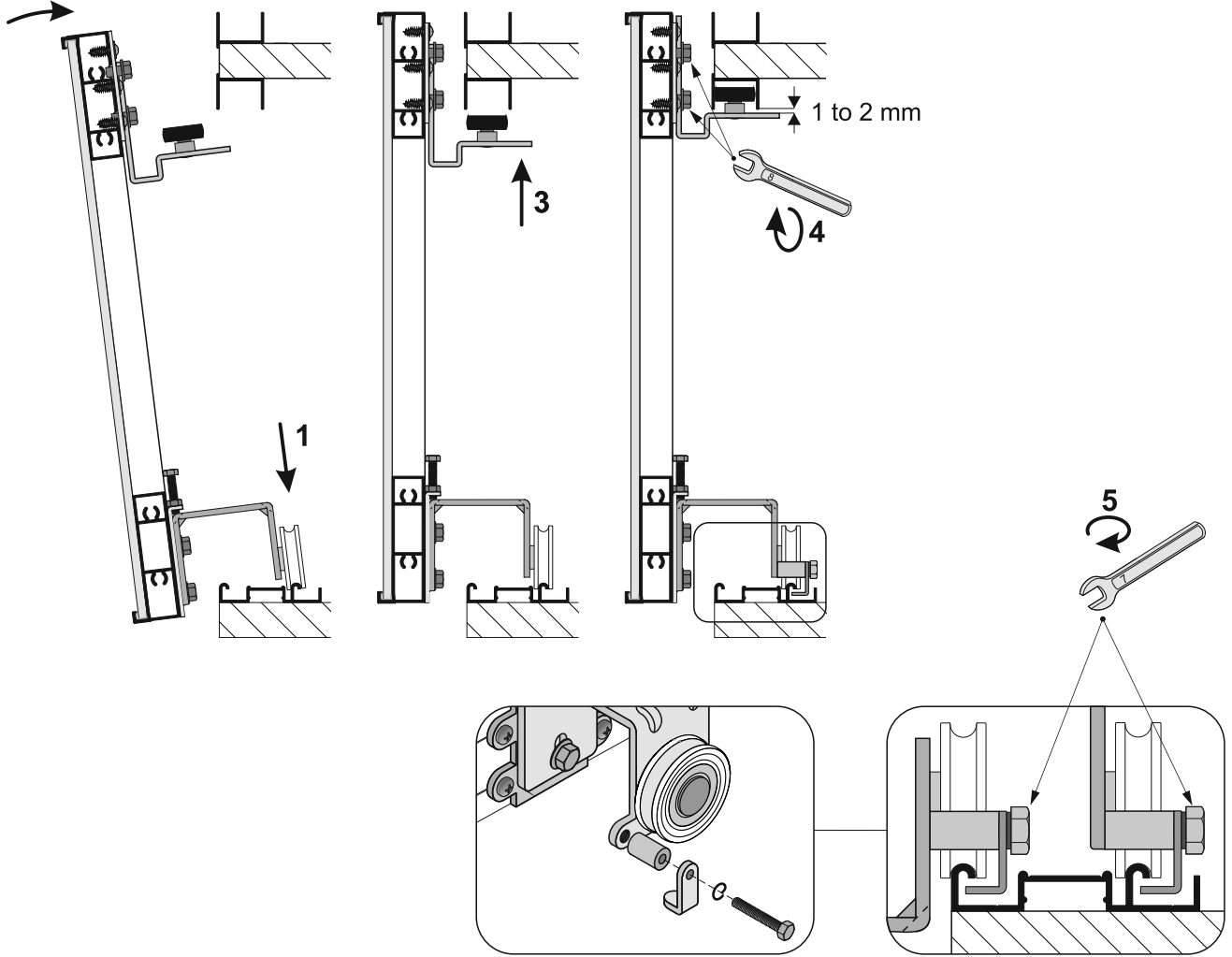
SYSTEM

EDEN 4 – 2 door wings

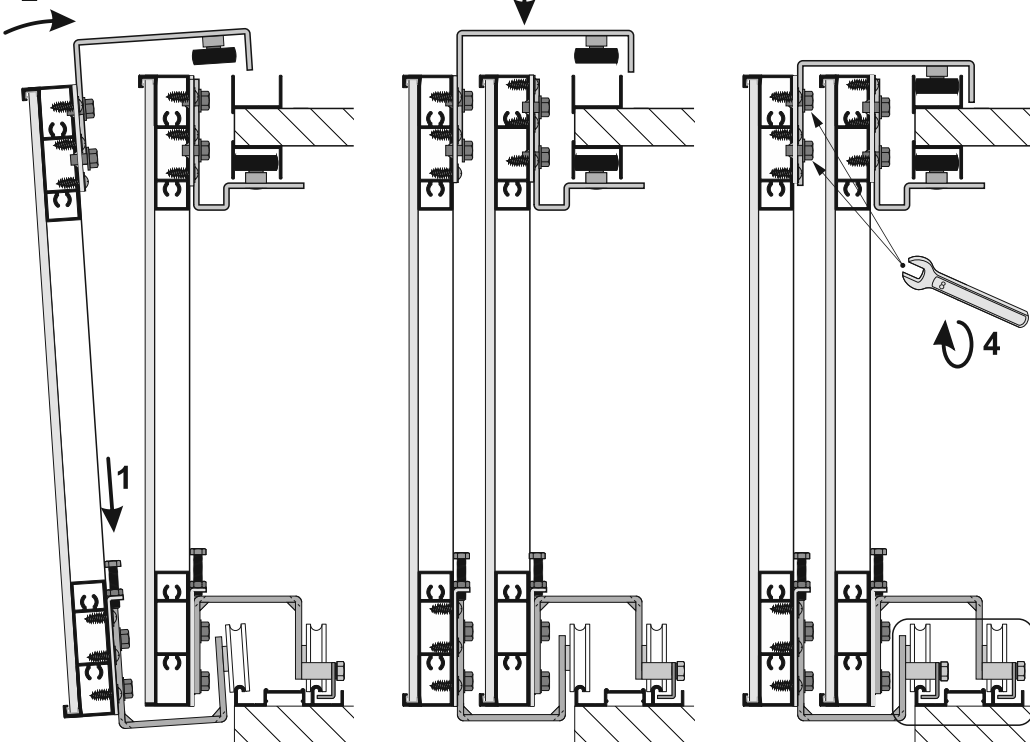


SEVROLL®

2 Inner door installation



2 Outer door installation





LINE

Pax XL

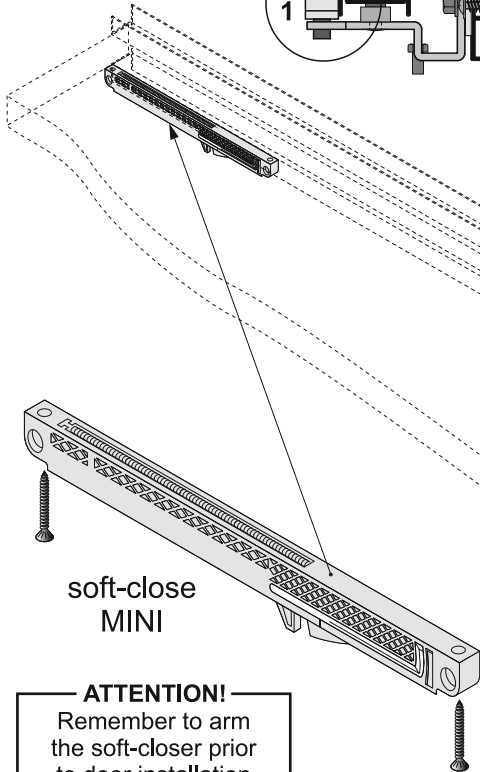
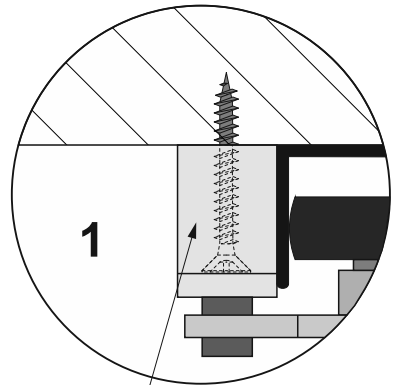
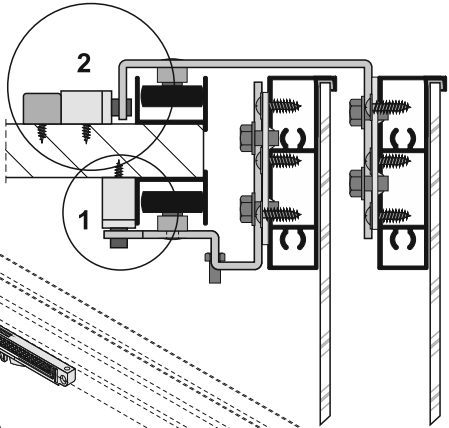
SYSTEM

EDEN 4 – 2 door wings



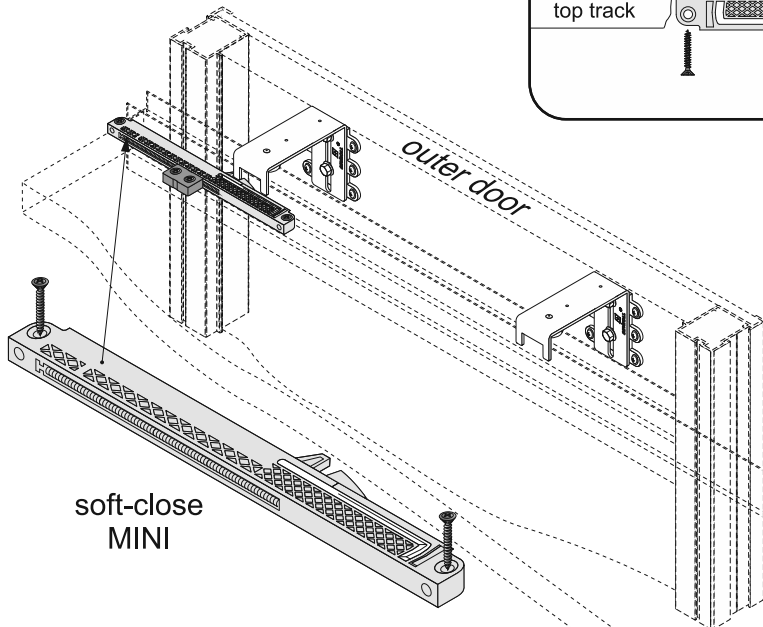
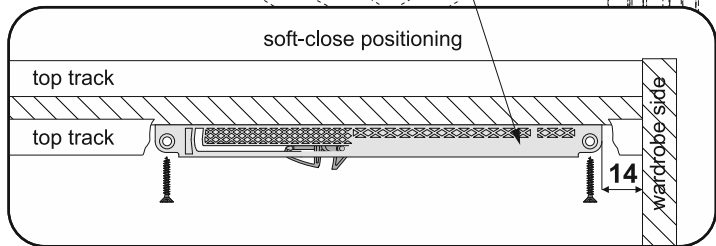
SEVROLL®

Soft-close installation

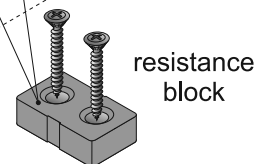
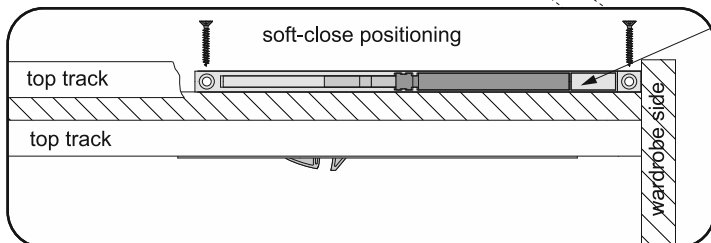
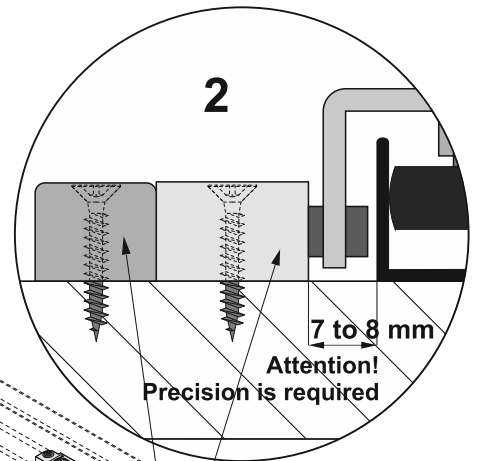


soft-close MINI

ATTENTION!
Remember to arm the soft-closer prior to door installation



soft-close MINI



resistance block